

Data sheet: TOP-Z 25/10 (3~400 V, PN 10, RG)

Hydraulic data

Max. volume flow Q	9.5
Delivery head for Q_{min} H_{Qmin}	9.3

Motor data

Mains connection	3-230 V, 3~400 V, 50 Hz
Emitted interference	EN 61000-6-3
Interference resistance	EN 61000-6-2
Power consumption $P_{1 min}$	100 W
Power consumption $P_{1 max}$	310 W
Rated power P_2	180 W
Rated current I_N	0.77 A
Protection class motor	IPX4D
Motor protection	Optional SK 602N/622N tripping unit
Insulation class	H
Max. speed n_{max}	2700 rpm
Threaded cable connection	2 x PG13.5

Materials

Shaft	1.4122, X39CrMo17-1
Pump housing	Red brass
Impeller	PPE-GF30
Bearing	Carbon, synthetic resin impregnated

Product data

Maximum operating pressure PN	10 bar
Max. fluid temperature T	110 °C
Min. fluid temperature T	-20 °C
Max. ambient temperature T	40 °C
Max. permitted total hardness in domestic hot water circulation systems	3.57 mmol/l (20 °dH) (3.21 mmol/l (18 °dH) for 20/4 + 25/6)

Installation dimensions

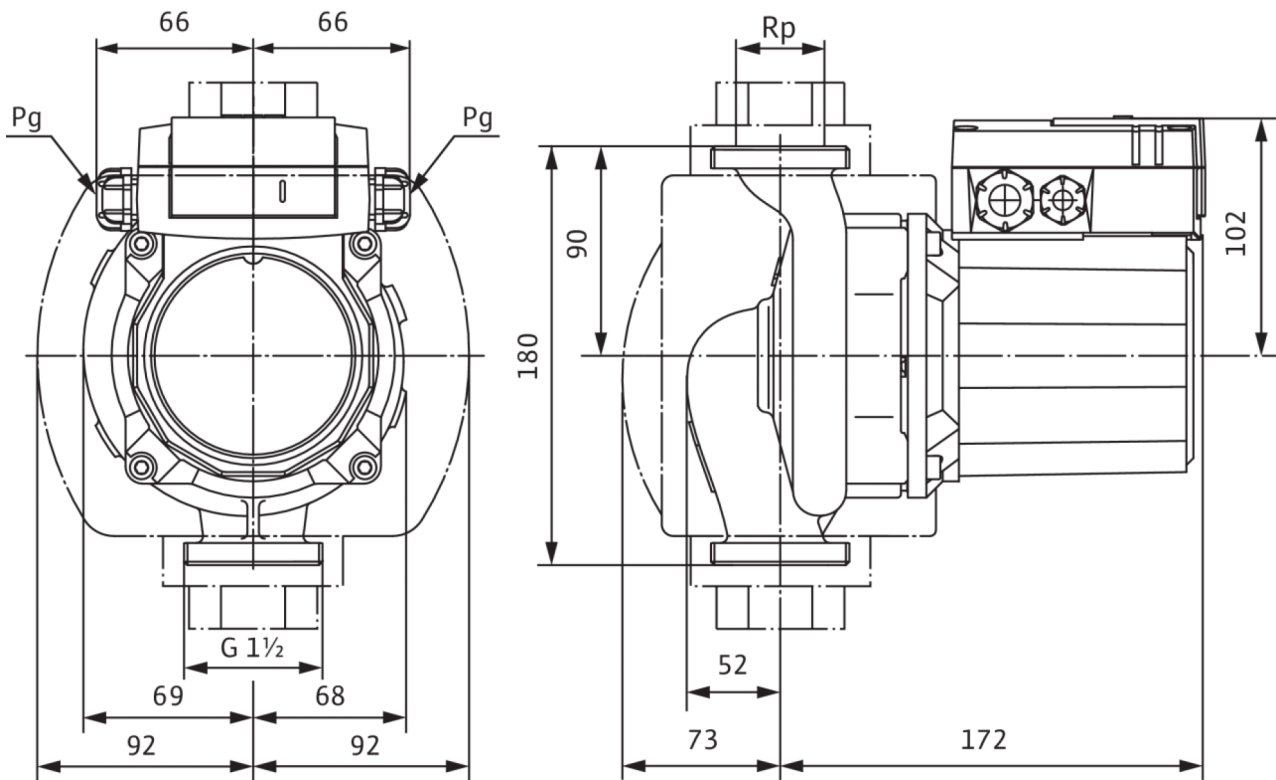
Pipe connection on the suction side	G 1½
Pipe connection on the pressure side	G 1½
Port-to-port length l_0	180 mm

Information for order placements

Brand	Wilo
Product description	TOP-Z 25/10 (3~400 V, PN 10, RG)
Article number	2175509
Net weight, approx. m	7 kg

Dimensions and dimensions drawings: TOP-Z 25/10 (3~400 V, PN 10, RG)

TOP-S



Tender text: TOP-Z 25/10 (3~400 V, PN 10, RG)

This circulator is suitable only for drinking water.

Can be used for domestic hot water circulation systems in the industry and building services.

Maintenance-free glandless circulator with threaded or flange connection, pre-selectable speed stages for power adjustment.

Equipment and function

- Manual power adjustment with 3 speed stages
- Pumps with 1- motor:
 - P2 up to 90 W: internal protection against unacceptably high winding temperatures
 - P2 ≥ 180 W: Full motor protection with thermal winding contacts in conjunction with tripping unit (optional: SK 602N/SK 622N)
- Pumps with 3- motor:
 - P2 up to 90 W: internal protection against unacceptably high winding temperatures
 - P2 ≥ 180 W: Full motor protection with thermal winding contacts in conjunction with tripping unit (optional: SK 602N/SK 622N)
- Mains connection 3~, 230 V with optional switching plug
- Pump housing in red brass or grey cast iron (stainless steel depending on type)
- PN 6/PN 10 combination flange (for DN 40 to DN 65)
- Thermal insulation shells

Materials

Shaft	1.4122, X39CrMo17-1
Pump housing	Red brass
Impeller	PPE-GF30
Bearing	Carbon, synthetic resin impregnated

Operating data

Fluid media	Water
Min. fluid temperature T	-20 °C
Max. fluid temperature T	110 °C
Maximum operating pressure p	10 bar
Max. permitted total hardness in domestic hot water circulation systems	3.57 mmol/l (20° dH) (3.21 mmol/l (18° dH) for 20/4 + 25/6)

Motor data

Emitted interference	EN 61000-6-3
Interference resistance	EN 61000-6-2
Mains connection	3-230 V, 3~400 V, 50 Hz
Power consumption $P_{1\max}$	310 W
Max. speed n_{\max}	2700 rpm
Rated current I_N	0.77 A
Protection class motor	IPX4D

Installation dimensions

Pipe connection on the suction side	G 1½
Port-to-port length l_0	180 mm

Information for order placements

Net weight, approx. m	7 kg
Brand	Wilo
Product description	TOP-Z 25/10 (3~400 V, PN 10, RG)
Article number	2175509