


Count	Description
1	<p data-bbox="225 338 432 367">UNILIFT CC5 - M1</p>  <p data-bbox="619 685 1070 707">Product photo could vary from the actual product</p> <p data-bbox="225 716 491 743">Product No.: 96280977</p> <p data-bbox="225 775 1430 826">Grundfos Unilift CC pumps are single-stage submersible pumps with a low suction ability down to 3 mm water level.</p> <p data-bbox="225 835 1094 862">The pumps are designed for pumping rainwater and grey wastewater, e.g. from</p> <ul data-bbox="225 864 1190 1010" style="list-style-type: none"> • washing machines, baths, sinks, etc. from low-lying parts of buildings up to sewer level • cellars or buildings prone to flooding • draining wells • wells for surface water with inlets from roof gutters, pits, tunnels, etc. • swimming pools, ponds or fountains. <p data-bbox="225 1043 890 1070">The pumps are suitable for both stationary and portable use.</p> <p data-bbox="225 1072 564 1099">They are for manual operation.</p> <p data-bbox="225 1102 855 1128">The pumps allow free passage of particles up to $\varnothing 10$ mm.</p> <p data-bbox="225 1162 1267 1189">The motor incorporates automatic overload protection cutting out the motor in case of overload.</p> <p data-bbox="225 1191 986 1218">When cooled to normal temperature, the motor restarts automatically.</p> <p data-bbox="225 1249 347 1276">Technical:</p> <p data-bbox="225 1279 651 1305">Maximum particle size: 3/8 in</p> <p data-bbox="225 1339 341 1366">Materials:</p> <p data-bbox="225 1368 699 1395">Pump housing: PP 15 GF</p> <p data-bbox="225 1397 738 1424">Impeller: PPOm 20 GF</p> <p data-bbox="225 1458 363 1485">Installation:</p> <p data-bbox="225 1487 671 1514">Pump outlet: R 1 1/4</p> <p data-bbox="225 1516 660 1543">Maximum installation depth: 32.8 ft</p> <p data-bbox="225 1576 309 1603">Liquid:</p> <p data-bbox="225 1606 772 1632">Pumped liquid: any viscous fluid</p> <p data-bbox="225 1635 719 1662">Liquid temperature range: 32 .. 104 °F</p> <p data-bbox="225 1664 708 1691">Density: 62.29 lb/ft³</p> <p data-bbox="225 1724 400 1751">Electrical data:</p> <p data-bbox="225 1753 655 1780">Main frequency: 50 Hz</p> <p data-bbox="225 1783 743 1809">Rated voltage: 1 x 220-240 V</p> <p data-bbox="225 1812 660 1839">Rated current: 0.98 A</p> <p data-bbox="225 1841 711 1868">Capacitor size - run: 4 μF/450 V</p> <p data-bbox="225 1870 639 1897">Enclosure class (IEC 34-5): IP68</p> <p data-bbox="225 1899 501 1926">Insulation class (IEC 85): B</p> <p data-bbox="225 1928 660 1955">Length of cable: 16.4 ft</p> <p data-bbox="225 1957 624 1984">Type of cable plug: GB</p> <p data-bbox="225 2018 316 2045">Others:</p> <p data-bbox="225 2047 663 2074">Net weight: 9.53 lb</p> <p data-bbox="225 2076 663 2103">Gross weight: 11.2 lb</p>



Company name:

Created by:

Phone:

Date:

6/14/2019

Count	Description
	Shipping volume: 0.6 ft ³



Company name:

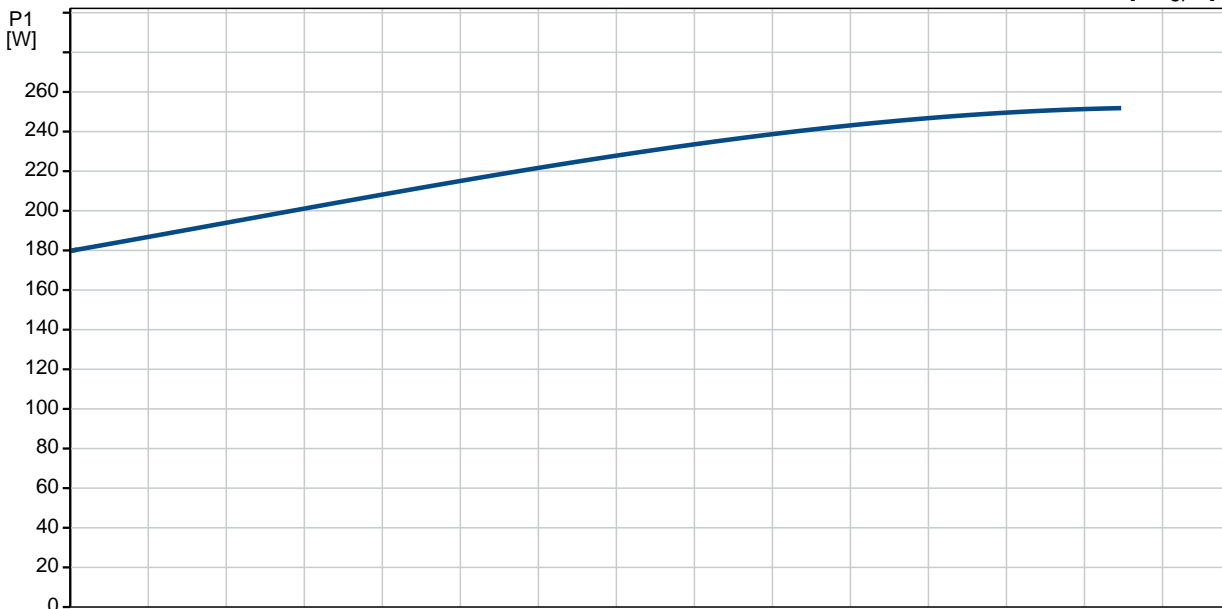
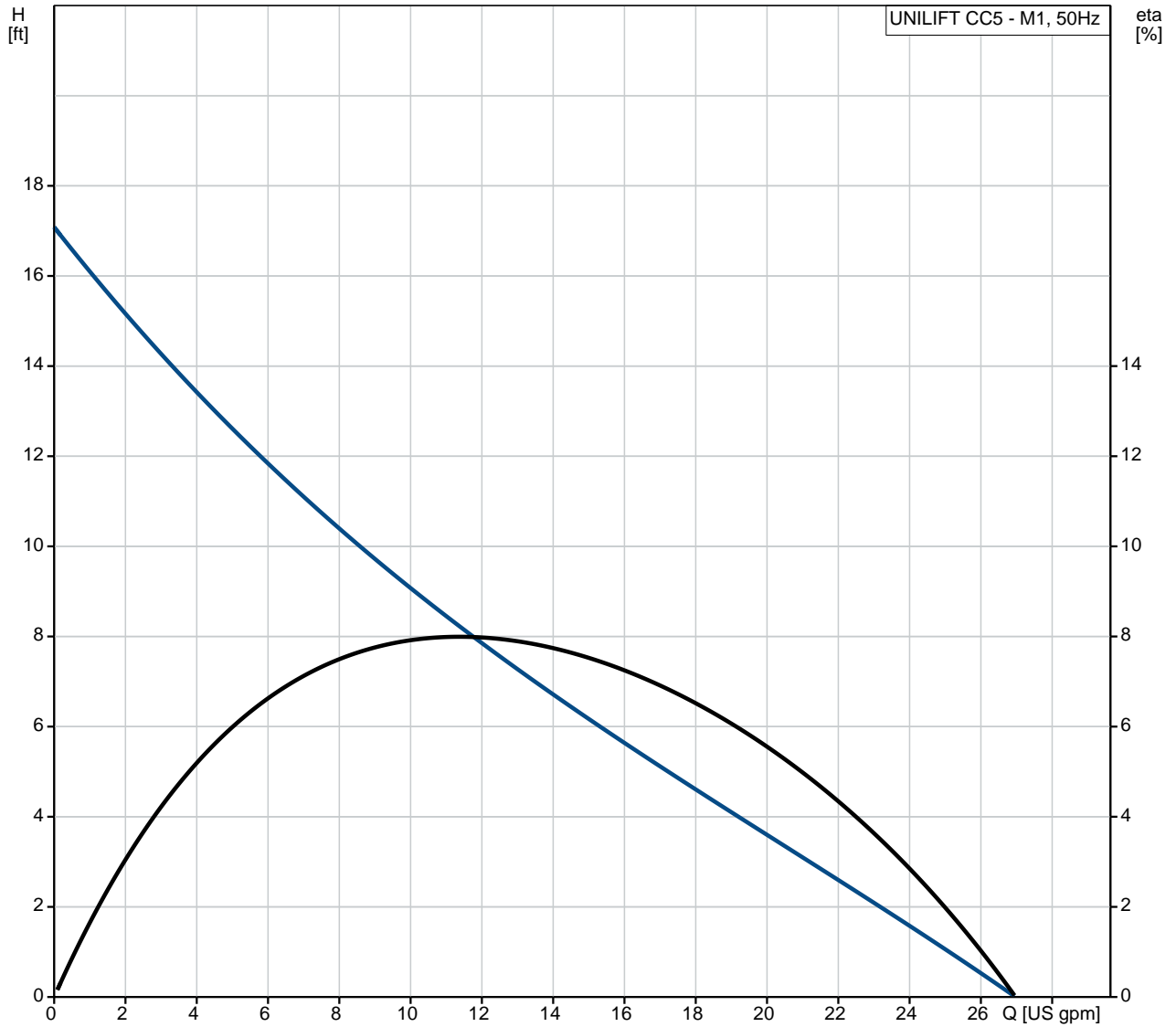
Created by:

Phone:

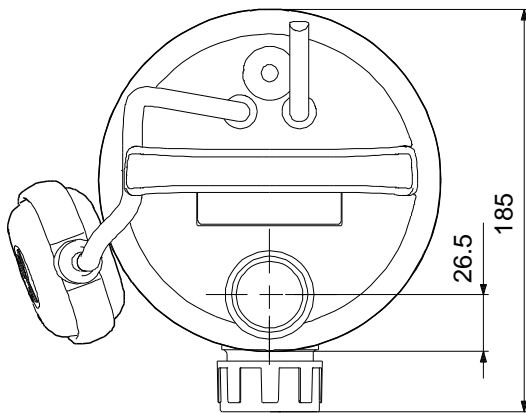
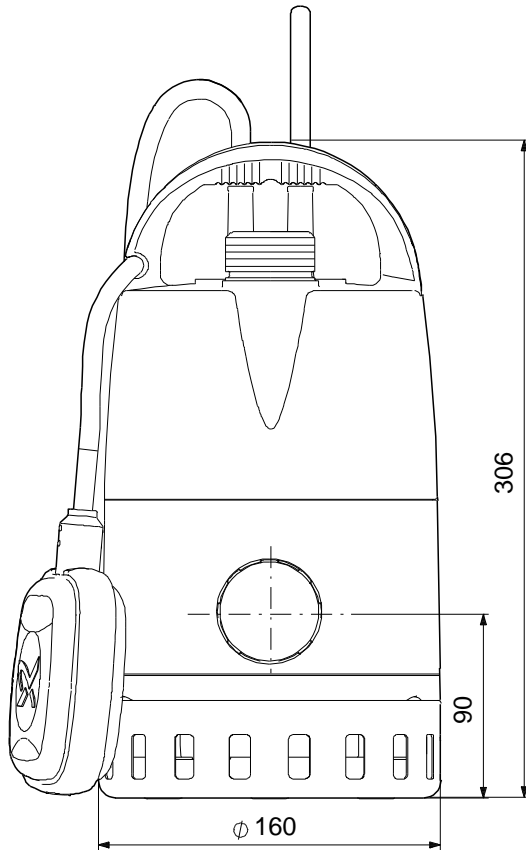
Date:

6/14/2019

96280977 UNILIFT CC5 - M1 50 Hz



96280977 UNILIFT CC5 - M1 50 Hz



Note! All units are in [in] unless otherwise stated.
Disclaimer: This simplified dimensional drawing does not show all details.