

Count	Description
-------	-------------

1	UNILIFT CC9 - A1
---	------------------



Product photo could vary from the actual product

Product No.: [96280982](#)

Grundfos Unilift CC pumps are single-stage submersible pumps with a low suction ability down to 3 mm water level.

The pumps are designed for pumping rainwater and grey wastewater, e.g. from

- washing machines, baths, sinks, etc. from low-lying parts of buildings up to sewer level
- cellars or buildings prone to flooding
- draining wells
- wells for surface water with inlets from roof gutters, pits, tunnels, etc.
- swimming pools, ponds or fountains.

The pumps are suitable for both stationary and portable use.

They are for automatic operation.

The pumps allow free passage of particles up to $\varnothing 10$ mm.

The motor incorporates automatic overload protection cutting out the motor in case of overload.

When cooled to normal temperature, the motor restarts automatically.

Technical:

Maximum particle size: 3/8 in

Materials:

Pump housing: PP 15 GF

Impeller: PPOm 20 GF

Installation:

Pump outlet: R 1 1/4

Maximum installation depth: 32.8 ft

Liquid:

Pumped liquid: any viscous fluid

Liquid temperature range: 32 .. 104 °F

Density: 62.29 lb/ft³

Electrical data:

Main frequency: 50 Hz

Rated voltage: 1 x 220-240 V



Company name:

Created by:

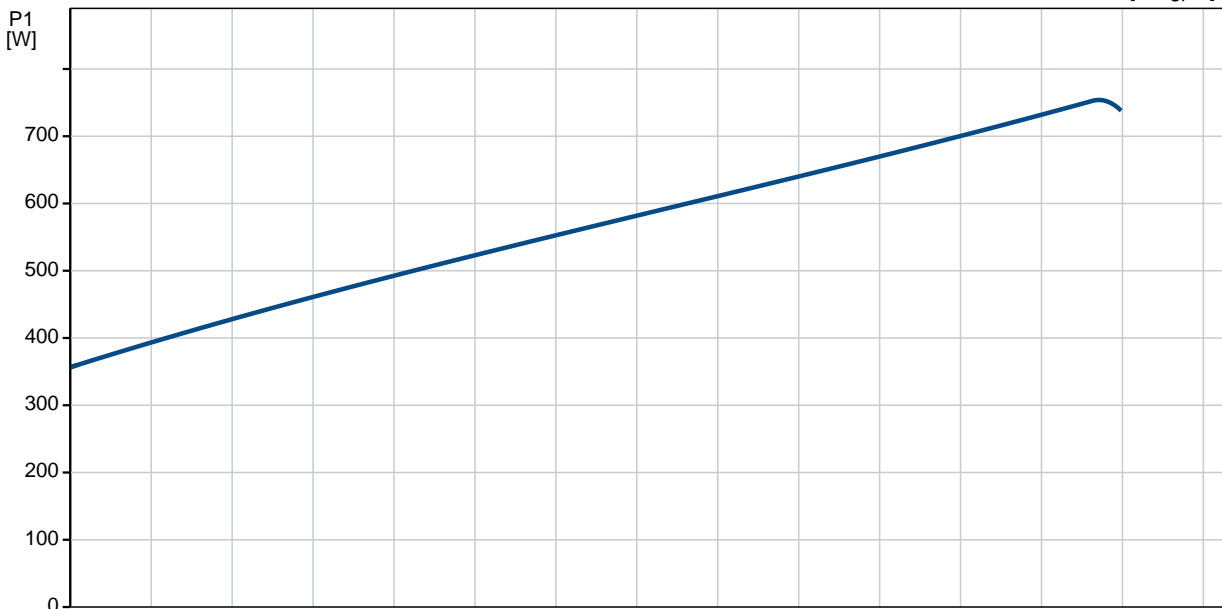
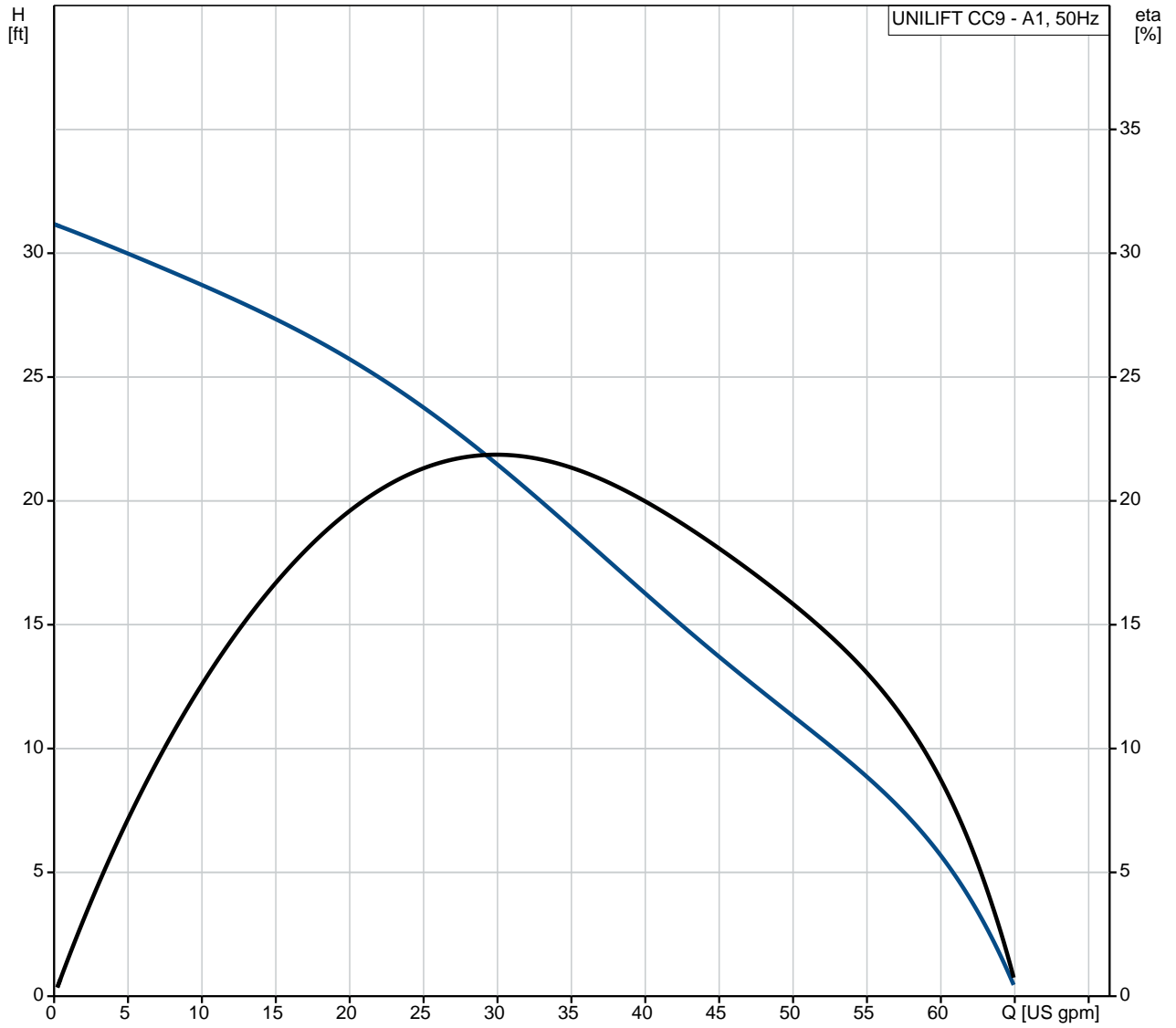
Phone:

Date:

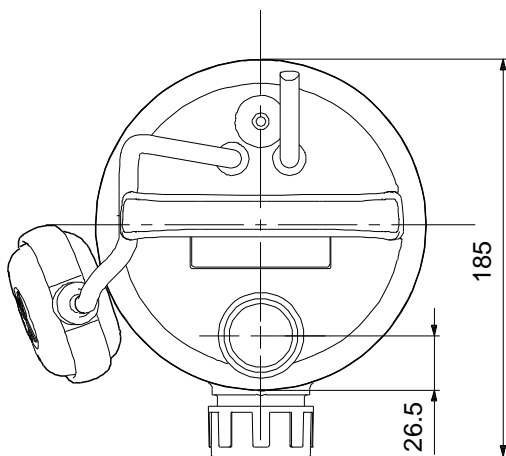
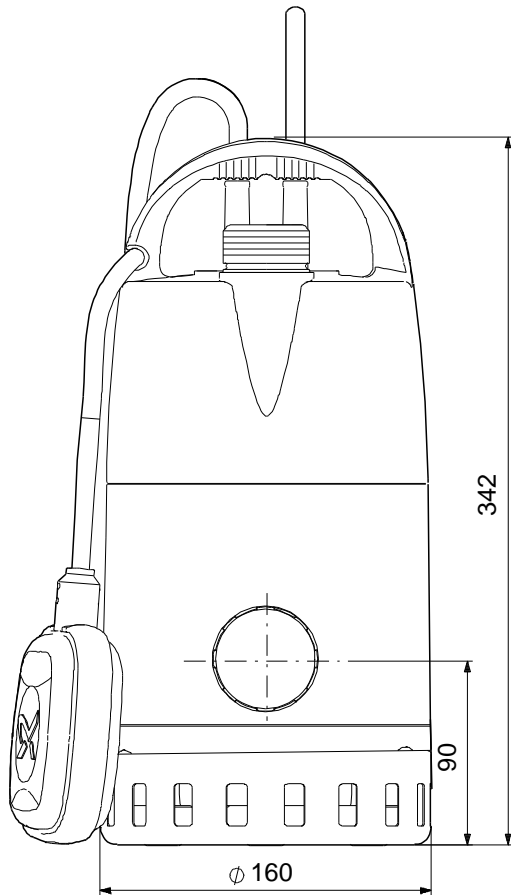
6/14/2019

Count	Description
	Rated current: 3.5 A
	Capacitor size - run: 8 μ F/450 V
	Enclosure class (IEC 34-5): IP68
	Insulation class (IEC 85): B
	Length of cable: 32.8 ft
	Type of cable plug: GB
	Others:
	Net weight: 15 lb
	Gross weight: 16.6 lb
	Shipping volume: 0.6 ft ³

96280982 UNILIFT CC9 - A1 50 Hz



96280982 UNILIFT CC9 - A1 50 Hz



Note! All units are in [in] unless otherwise stated.
Disclaimer: This simplified dimensional drawing does not show all details.