


Count	Description																																										
1	<p data-bbox="225 338 558 367"><b>TPD 100-120/2 AI-F-A-BQQE</b></p>  <p data-bbox="619 770 1072 795">Product photo could vary from the actual product</p> <p data-bbox="225 801 491 831">Product No.: <a href="#">98958094</a></p> <p data-bbox="225 862 1437 965">Single-stage, close-coupled, volute twin-head pump with in-line suction and discharge ports of identical diameter. The twin-head pump is designed with two parallel power-heads. The pump is of the top-pull-out design, i.e. the power head (motor, pump head and impeller) can be removed for maintenance or service while the pump housing remains in the pipework.</p> <p data-bbox="225 974 1406 1030">Each power head is fitted with an unbalanced rubber bellows seal. The shaft seal is according to EN 12756. Pipework connection is via PN 6 DIN flanges (EN 1092-2 and ISO 7005-2).</p> <p data-bbox="225 1032 1126 1061">Each power head is fitted with a fan-cooled asynchronous motor of identical size.</p> <p data-bbox="225 1122 312 1151"><b>Liquid:</b></p> <table data-bbox="225 1153 727 1272"> <tr> <td>Pumped liquid:</td> <td>Water</td> </tr> <tr> <td>Liquid temperature range:</td> <td>-13 .. 248 °F</td> </tr> <tr> <td>Selected liquid temperature:</td> <td>68 °F</td> </tr> <tr> <td>Density:</td> <td>62.29 lb/ft<sup>3</sup></td> </tr> </table> <p data-bbox="225 1301 352 1330"><b>Technical:</b></p> <table data-bbox="225 1332 826 1507"> <tr> <td>Pump speed on which pump data is based:</td> <td>2910 rpm</td> </tr> <tr> <td>Rated flow:</td> <td>321 US gpm</td> </tr> <tr> <td>Rated head:</td> <td>25.56 ft</td> </tr> <tr> <td>Actual impeller diameter:</td> <td>4.09 in</td> </tr> <tr> <td>Primary shaft seal:</td> <td>BQQE</td> </tr> <tr> <td>Curve tolerance:</td> <td>ISO9906:2012 3B</td> </tr> </table> <p data-bbox="225 1538 344 1568"><b>Materials:</b></p> <table data-bbox="225 1570 791 1744"> <tr> <td>Pump housing:</td> <td>Cast iron EN-JL1040 ASTM A48-40 B</td> </tr> <tr> <td>Impeller:</td> <td>Stainless steel DIN W.-Nr. 1.4301 AISI 304</td> </tr> </table> <p data-bbox="225 1776 368 1805"><b>Installation:</b></p> <table data-bbox="225 1807 727 2072"> <tr> <td>Range of ambient temperature:</td> <td>-22 .. 140 °F</td> </tr> <tr> <td>Maximum operating pressure:</td> <td>87.02 psi</td> </tr> <tr> <td>Flange standard:</td> <td>DIN</td> </tr> <tr> <td>Pipe connection:</td> <td>DN 100</td> </tr> <tr> <td>Pump inlet:</td> <td>DN 100</td> </tr> <tr> <td>Pump outlet:</td> <td>DN 100</td> </tr> <tr> <td>Pressure stage:</td> <td>PN 6</td> </tr> <tr> <td>Port-to-port length:</td> <td>17 3/4 in</td> </tr> <tr> <td>Flange size for motor:</td> <td>FT115</td> </tr> </table>	Pumped liquid:	Water	Liquid temperature range:	-13 .. 248 °F	Selected liquid temperature:	68 °F	Density:	62.29 lb/ft <sup>3</sup>	Pump speed on which pump data is based:	2910 rpm	Rated flow:	321 US gpm	Rated head:	25.56 ft	Actual impeller diameter:	4.09 in	Primary shaft seal:	BQQE	Curve tolerance:	ISO9906:2012 3B	Pump housing:	Cast iron EN-JL1040 ASTM A48-40 B	Impeller:	Stainless steel DIN W.-Nr. 1.4301 AISI 304	Range of ambient temperature:	-22 .. 140 °F	Maximum operating pressure:	87.02 psi	Flange standard:	DIN	Pipe connection:	DN 100	Pump inlet:	DN 100	Pump outlet:	DN 100	Pressure stage:	PN 6	Port-to-port length:	17 3/4 in	Flange size for motor:	FT115
Pumped liquid:	Water																																										
Liquid temperature range:	-13 .. 248 °F																																										
Selected liquid temperature:	68 °F																																										
Density:	62.29 lb/ft <sup>3</sup>																																										
Pump speed on which pump data is based:	2910 rpm																																										
Rated flow:	321 US gpm																																										
Rated head:	25.56 ft																																										
Actual impeller diameter:	4.09 in																																										
Primary shaft seal:	BQQE																																										
Curve tolerance:	ISO9906:2012 3B																																										
Pump housing:	Cast iron EN-JL1040 ASTM A48-40 B																																										
Impeller:	Stainless steel DIN W.-Nr. 1.4301 AISI 304																																										
Range of ambient temperature:	-22 .. 140 °F																																										
Maximum operating pressure:	87.02 psi																																										
Flange standard:	DIN																																										
Pipe connection:	DN 100																																										
Pump inlet:	DN 100																																										
Pump outlet:	DN 100																																										
Pressure stage:	PN 6																																										
Port-to-port length:	17 3/4 in																																										
Flange size for motor:	FT115																																										

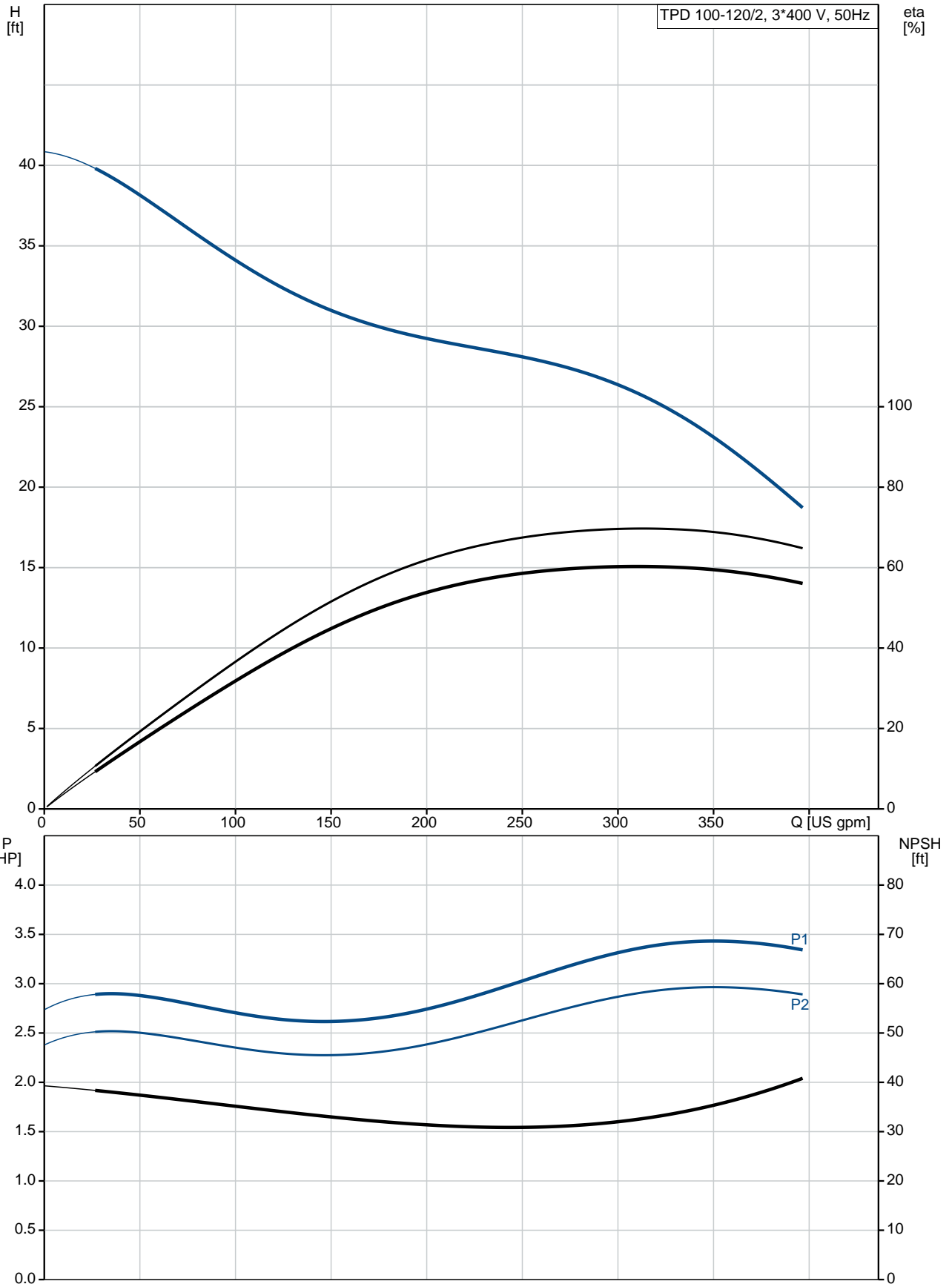
Count	Description
	<p><b>Electrical data:</b></p> <p>Motor type: 90LC</p> <p>IE Efficiency class: IE3</p> <p>Rated power - P2: 2 x 3 HP</p> <p>Main frequency: 50 Hz</p> <p>Rated voltage: 3 x 380-415D V</p> <p>Rated current: 4.45 A</p> <p>Starting current: 850-950 %</p> <p>Cos phi - power factor: 0.89-0.87</p> <p>Rated speed: 2890-2910 rpm</p> <p>IE efficiency: IE3 85,9%</p> <p>Motor efficiency at full load: 85.9 %</p> <p>Motor efficiency at 3/4 load: 86.8 %</p> <p>Motor efficiency at 1/2 load: 86.0 %</p> <p>Number of poles: 2</p> <p>Enclosure class (IEC 34-5): 55 Dust/Jetting</p> <p>Insulation class (IEC 85): F</p> <p>Motor Number: 85U15908</p> <p><b>Others:</b></p> <p>Minimum efficiency index, MEI : 0.70</p> <p>ErP status: EuP Standalone/Prod.</p> <p>Net weight: 256 lb</p> <p>Gross weight: 287 lb</p> <p>Shipping volume: 8.48 ft<sup>3</sup></p>



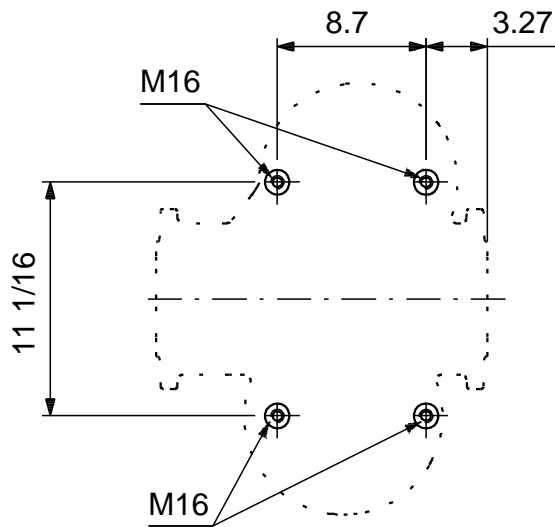
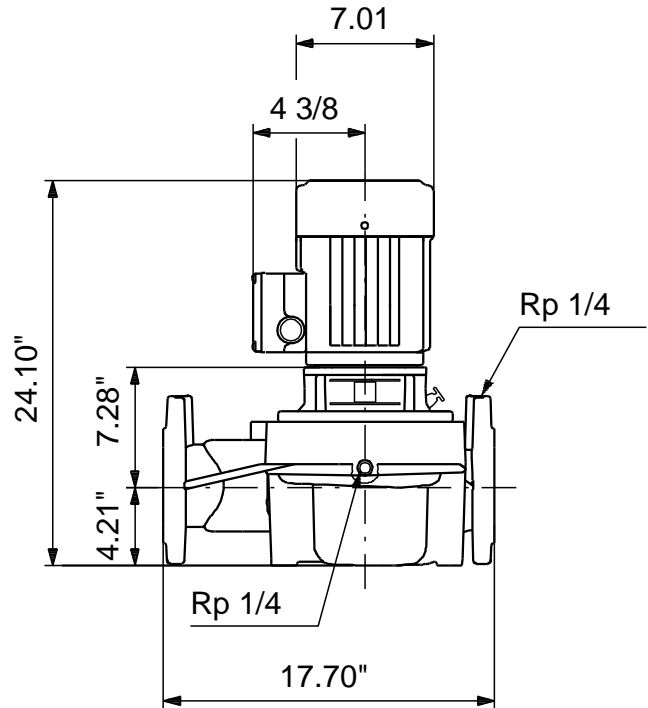
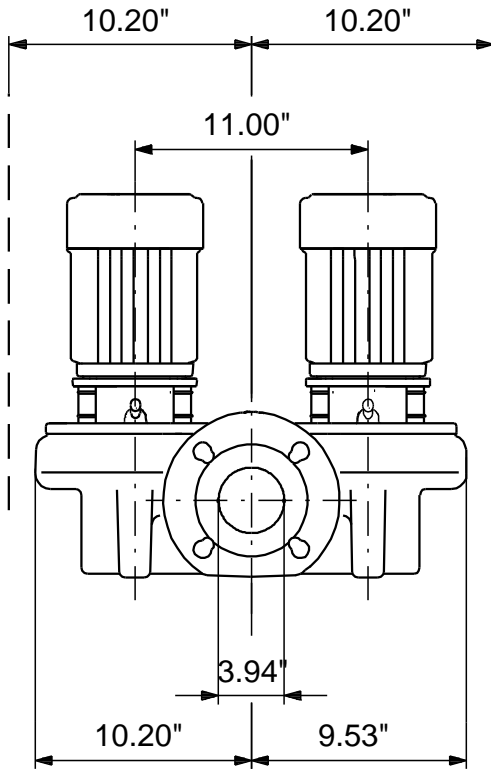
Company name:  
Created by:  
Phone:

Date: 5/13/2019

### 98958094 TPD 100-120/2 AI-F-A-BQQE 50 Hz



**98958094 TPD 100-120/2 AI-F-A-BQQE 50 Hz**



Note! All units are in [in] unless otherwise stated.  
Disclaimer: This simplified dimensional drawing does not show all details.