

# BEST ONE

## SUBMERSIBLE ELECTRIC PUMPS

in AISI 304

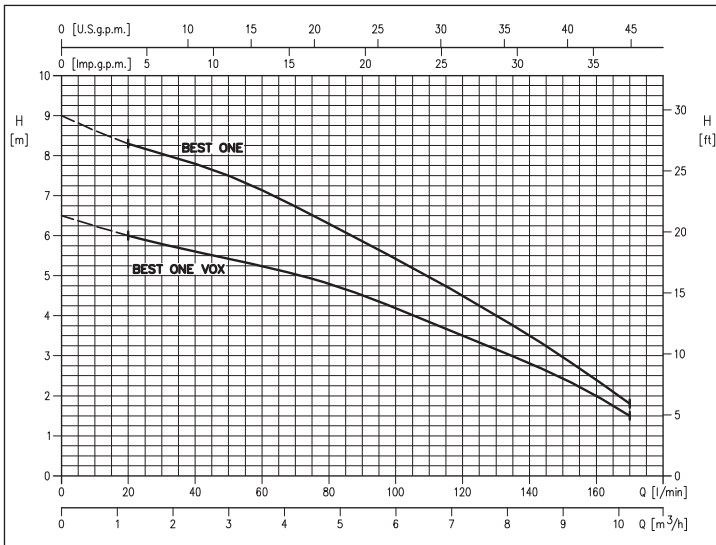


**BEST ONE**



**BEST ONE VOX**

### PERFORMANCE CURVES (according to ISO 9906 Attachment A)



Submersible electric pumps for clean water with hydraulics in AISI 304 stainless steel.

### APPLICATIONS

- Draining basements, garages, cellars or places subject to flooding
- Supplying garden fountains
- Easy emptying of tanks and reservoirs

### TECHNICAL DETAILS

- Standard mechanical seal
- New and revised design and shape
- Technologically and mechanically optimised
- Their versatility means they can be used in fixed or mobile installations
- Equipped with 5 m of H05 RN-F power supply cable for indoor use (10 m for outdoor use), with or without float

### TECHNICAL DATA

- Maximum immersion: 5 m
- Maximum temperature of the liquid: 50°C
- Max. solids size for passage:
  - 10 mm
  - 20 mm for the VOX version (Vortex)
- Asynchronous motor, 2 poles
- Class of insulation F
- IP68 Protection rating
- 230V ±10%, 50Hz single phase voltage, 400 ±10%, 50Hz three phase voltage
- Discharge connection: G1¼

### MATERIALS

- External casing, impeller, filter, motor cover, seal housing disc and motor case in AISI 304
- Shaft in AISI 303
- Mechanical seal in Carbon/Ceramic/NBR

### SPECIAL VERSIONS

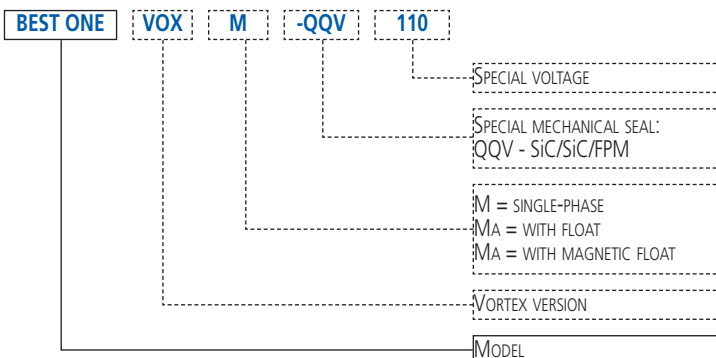
- MS version with magnetic float
- MA version with float
- VORTEX version (VOX)

### ACCESSORIES (on request)

- 1¼ outlet connector and relative clamp
- Minimum suction device up to 3 mm (for BEST ONE only)

For other accessories and control panels see from page 66

### IDENTIFICATION CODE



## SUBMERSIBLE ELECTRIC PUMPS

in AISI 304

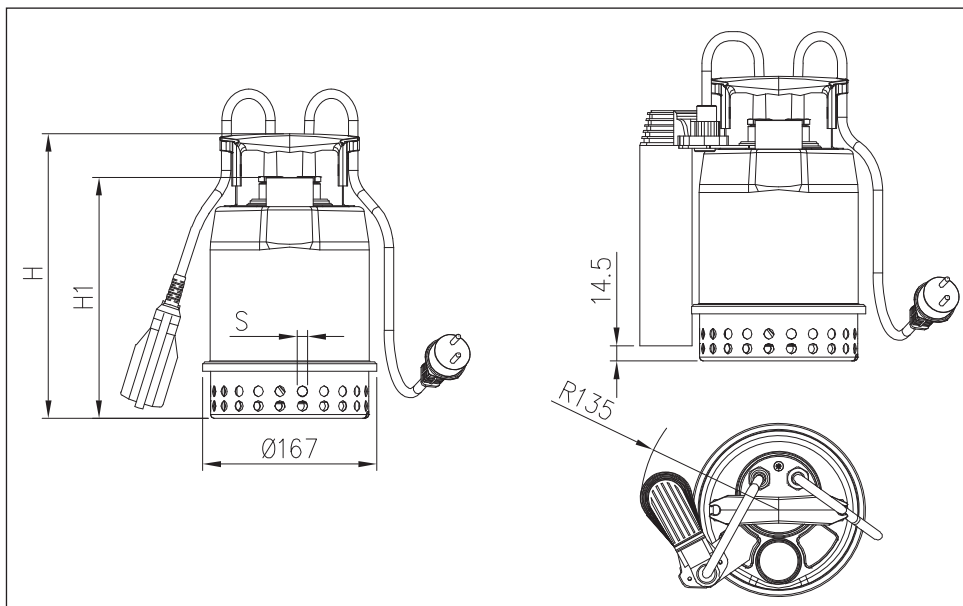
### PERFORMANCE TABLE

Single phase 230V	Model	Three phase 400V	P <sub>2</sub>		Capacitor		Ab. Curr.		Q=Flow rate							
			[HP]	[kW]	μF	Vc	[A]	[A]	l/min	20	40	80	120	160	170	
									H=Head [m]							
									2,3	0,8	8,3	7,8	6,3	4,5	2,4	1,8
									2,2	0,8	6,0	5,6	4,8	3,5	2,0	1,5
BEST ONE M	BEST ONE		0,33	0,25	8	450										
BEST ONE VOX M	BEST ONE VOX		0,33	0,25	8	450										

### DIMENSIONS

#### BEST ONE MA / BEST ONE VOX MA

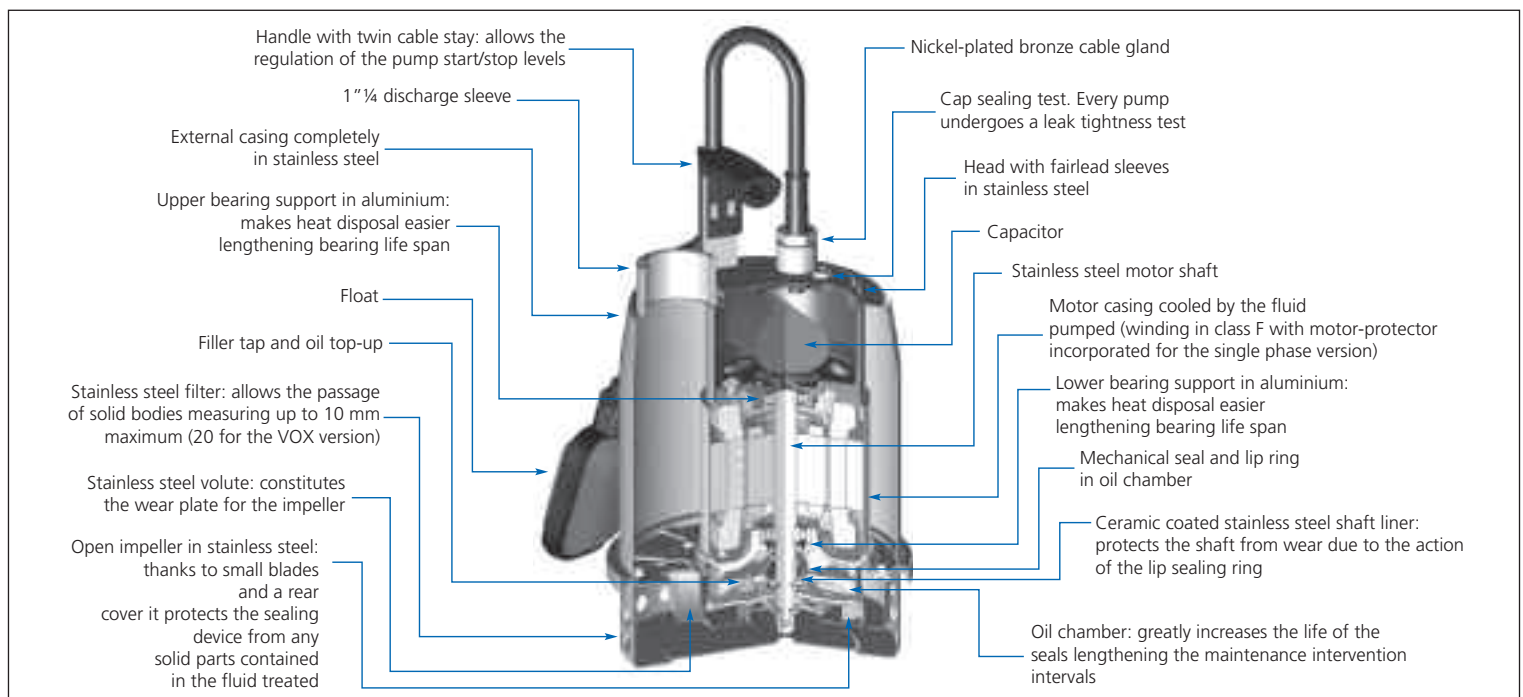
#### BEST ONE MS



### DIMENSIONS TABLE

Model	Dimensions [mm]			Weight [kg]
	H	H1	S	
BEST ONE	273	231	10	4,3
BEST ONE M	273	231	10	4,4
BEST ONE MA	273	231	10	4,6
BEST ONE MS	273	231	10	4,8
BEST ONE VOX	304	262	20	4,4
BEST ONE VOX M	304	262	20	4,5
BEST ONE VOX MA	304	262	20	4,7

### SECTIONAL VIEW

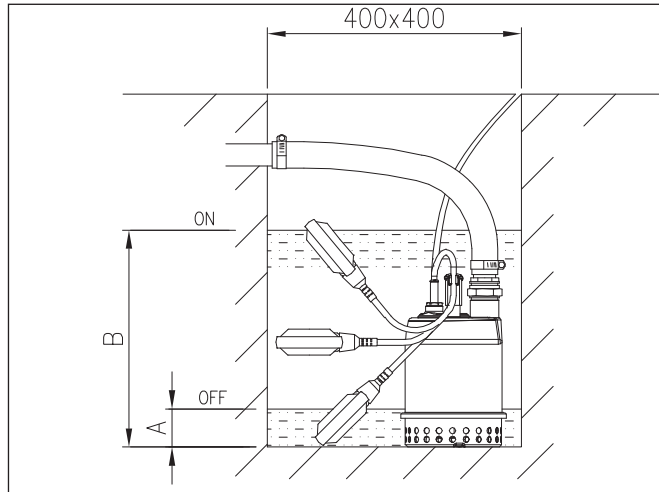


## SUBMERSIBLE ELECTRIC PUMPS

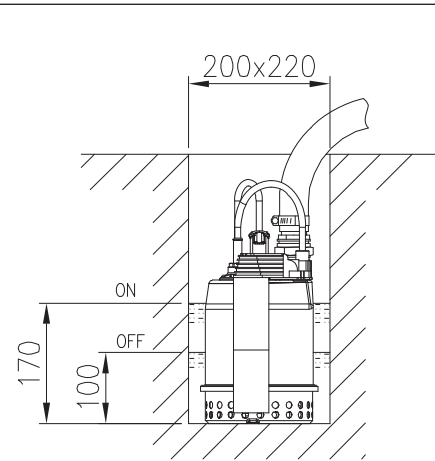
in AISI 304

### INSTALLATION

#### BEST ONE MA / BEST ONE VOX MA



#### BEST ONE MS



### INSTALLATION TABLE

Model	A	B
BEST ONE MA	110	305
BEST ONE VOX MA		330

### OPTIONAL

#### MINIMUM SUCTION DEVICE



The minimum suction device allows to suck the liquid up to 3 mm from the ground (starting from at least 10 mm).

It is easily mounted on the BEST ONE, by simply pressing.