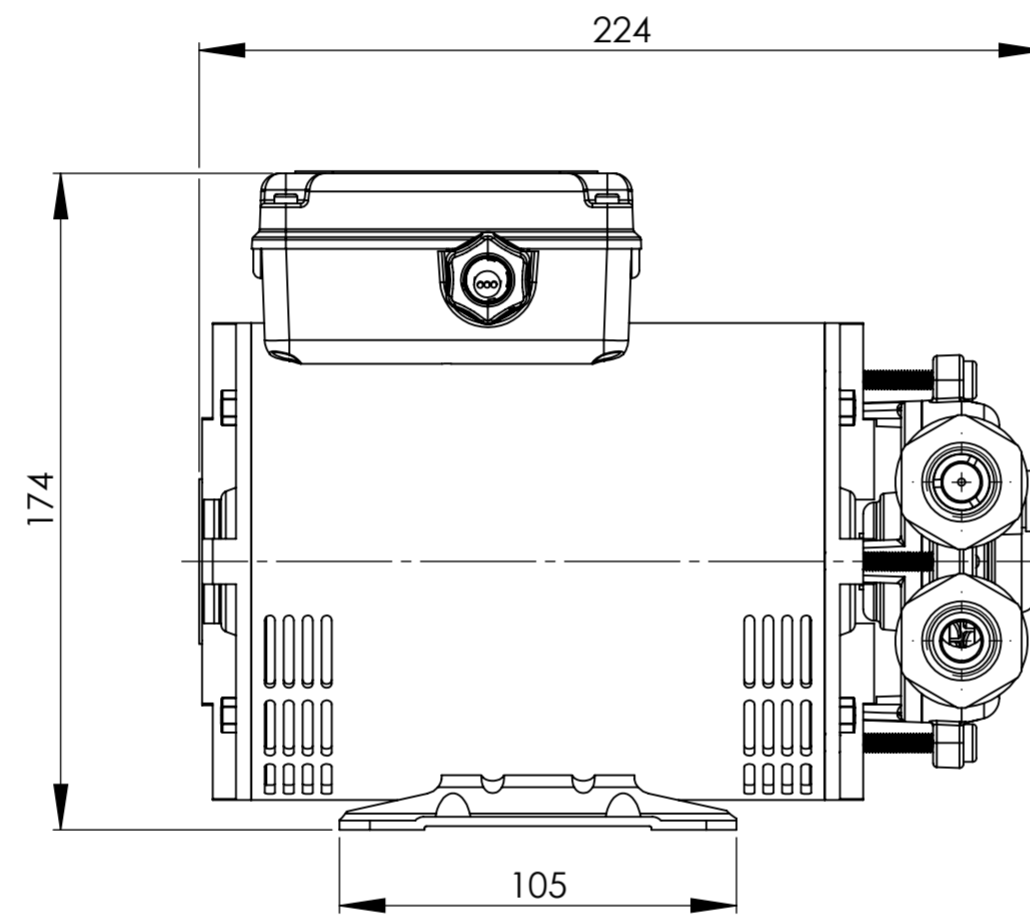
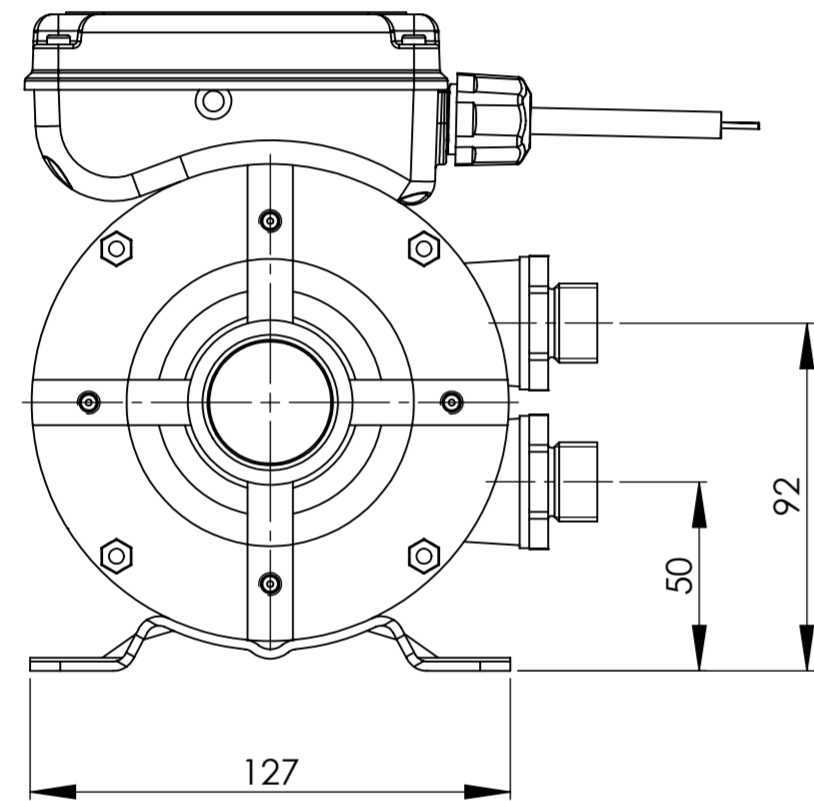
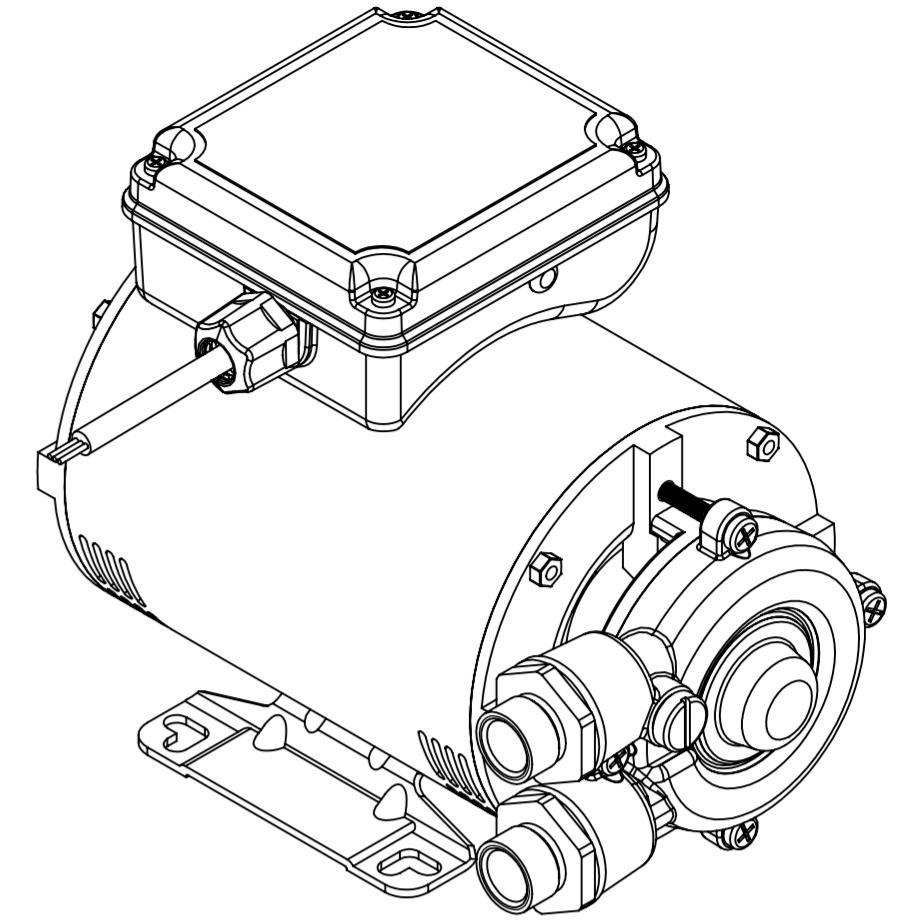
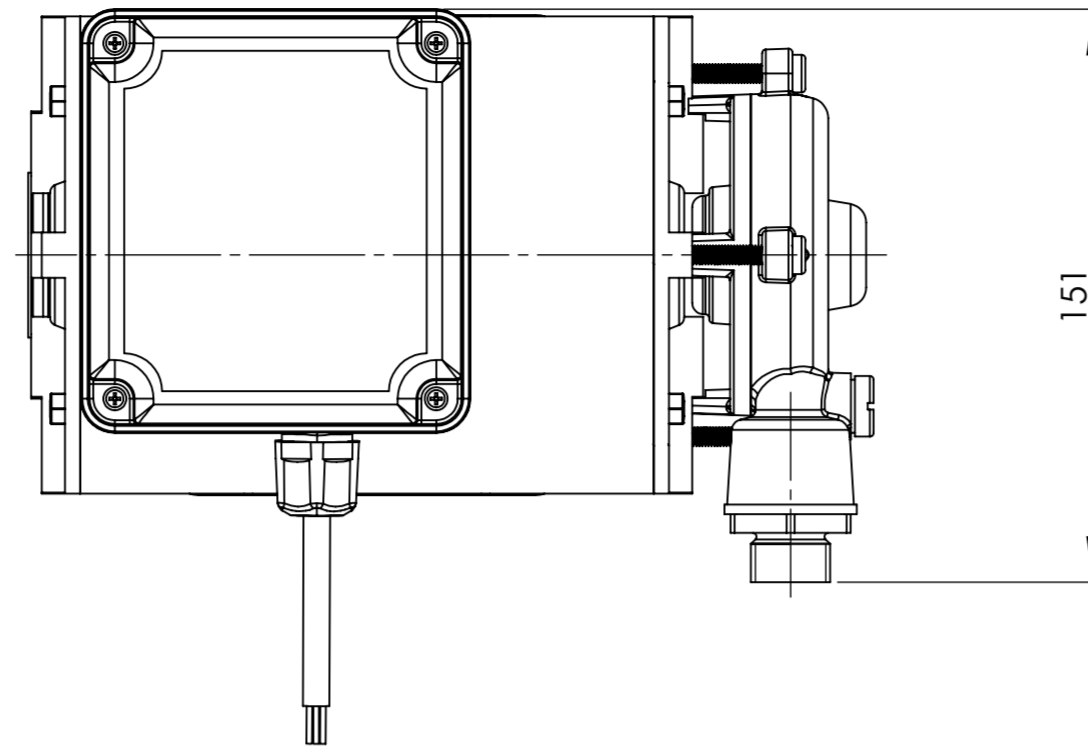
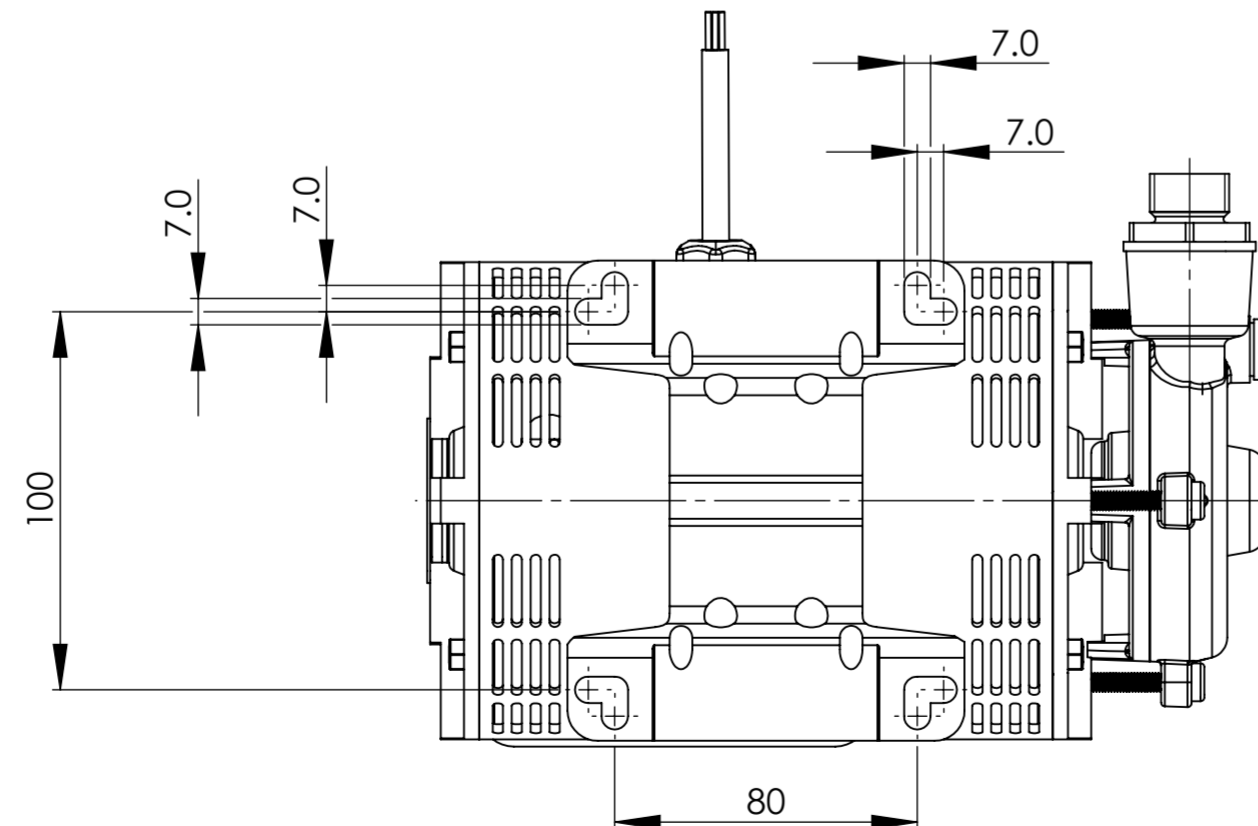
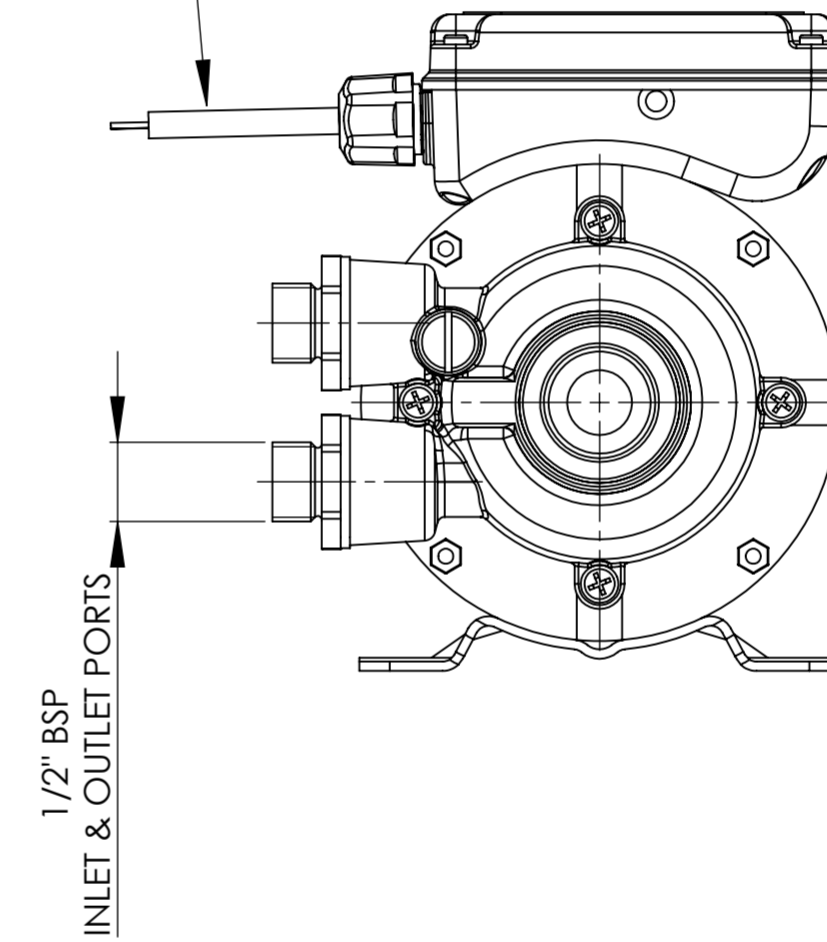


THIRD ANGLE PROJECTION



1.5m MAINS CABLE



THIS DRAWING IS THE PROPERTY OF GRUNDFOS WATERMILL LTD.
AND MUST NOT BE PASSED ON TO ANY PERSON OR BE
COPIED OR OTHERWISE UTILISED WITHOUT WRITTEN
PERMISSION FROM GRUNDFOS WATERMILL LTD.
© 2016 GRUNDFOS WATERMILL LTD.

SYMBOLS & ABBREVIATIONS

//	PARALLEL
⊥	PERPENDICULAR
◎	CONCENTRIC
⌀	CENTRE LINE
P.C.D.	PITCH CIRCLE DIAMETER

TOLERANCES:
LINEAR: X ±0.5
 0.X ±0.2
 0.XX ±0.1
ANGULAR: ±0.5 DEG

DRAWN	NAME	DATE
CHKD	R.P.	08.04.16

DO NOT SCALE DRAWING
DIMENSIONS IN MILLIMETRES

FINISH:	DEBUR AND BREAK SHARP EDGES
MATERIAL:	

GRUNDFOS
WATERMILL

Gemini House, Enterprise Way,
Edenbridge, Kent, TN8 6HF.

TITLE:
**LINE DRAWING -
WAIKATO - FLAMCO-004**

DWG NO.	10647	SHEET SIZE	A2
---------	--------------	------------	-----------

01	ORIGINAL ISSUE	08.04.16	
ISSUE	MODIFICATION	DATE	ECR No.

SCALE:1:2 SHEET 1 OF 1