

Goliath™

Automatic Sump Pump



*Goliath Super® (A float, standard version)

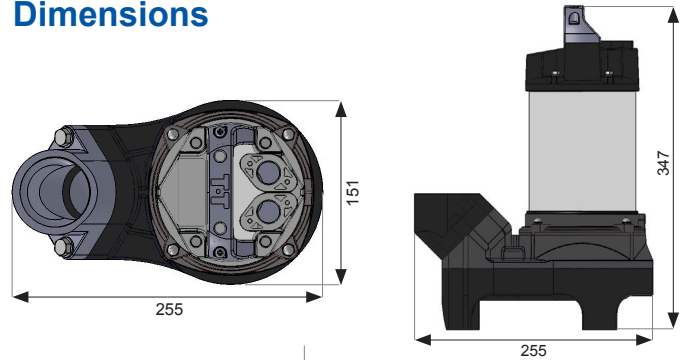
Features

- Stainless steel casing and reinforced plastic construction
- Double mechanical seal within oil bath
- 35mm solids handling
- 0.15kW output
- 50mm discharge, which can be vertical or horizontal configuration
- Automatic as standard but can be converted to manual upon request
- Max submersion depth: 10m

Applications

- Small water features
- Cellars & basements
- Domestic & industrial use
- Final effluent
- Nuisance water
- Marine application

Dimensions



Type	Max Flow m ³ /h	Max Head m	kW	Outlet mm	Cable m	Weight kg
Goliath 1/1-A 230V	14	6.3	0.15	50	5	7
Goliath 1/2-A 110V	14	6.3	0.15	50	5	7

Pump supplied with A-float as standard (as above)
Options available include automatic with Z floats and F floats or manual versions.



F float



Z float



Manual

