



DOMO and DOMO GRI Series

Submersible pumps for solid-laden wastewater. Made in stainless steel, with mechanical seal and versions with twin-channel impeller, Vortex impeller, and grinder impeller.

Supplied with or without float switch.

3

SPECIFICATIONS

Delivery: up to 40 m³/h

Head: up to 14.5 m

Power supply: three-phase and single-phase 50 and 60 Hz
Power: 0.55 kW to 1.5 kW

Maximum immersion depth:
5 m

Temperature of pumped liquid:
0°C to +35°C (with pump totally immersed)

Shaft extension: Stainless steel

Liquids with suspended solids:
up to 35 mm (Domo 7-Domo 7VX)
up to 50 mm (Domo 10-15-20 and Domo10-15-20VX)

Version with grinder impeller (DOMO GRI)

Insulation class: F (motor dry)

Protection: IP68

Length of cable: 10 m



Silicon-carbide/Silicon-carbide
Lubricated by the DRIVELUB System.

Upper lip seal: NBR

Shaft extension: Stainless steel

Handle: Nylon

MATERIALS

Pump body, motor casing:
Stainless steel

DOMO 7 (VX) impeller: Reinforced nylon

DOMO 10-15-20 (VX) impeller:
Stainless steel

DOMO GRI impeller: Technopolymer PBT, stainless steel and high resistance Grinder.

Inner mechanical seal:

APPLICATIONS

- Emptying of septic tanks and residential sumps
- Pumping of effluent (the VX version also pumps suspended filaments)
- Emptying of wells and tanks in industrial and ecological applications
- Emptying of tanks or reservoirs
- Emergency draining in flooded areas

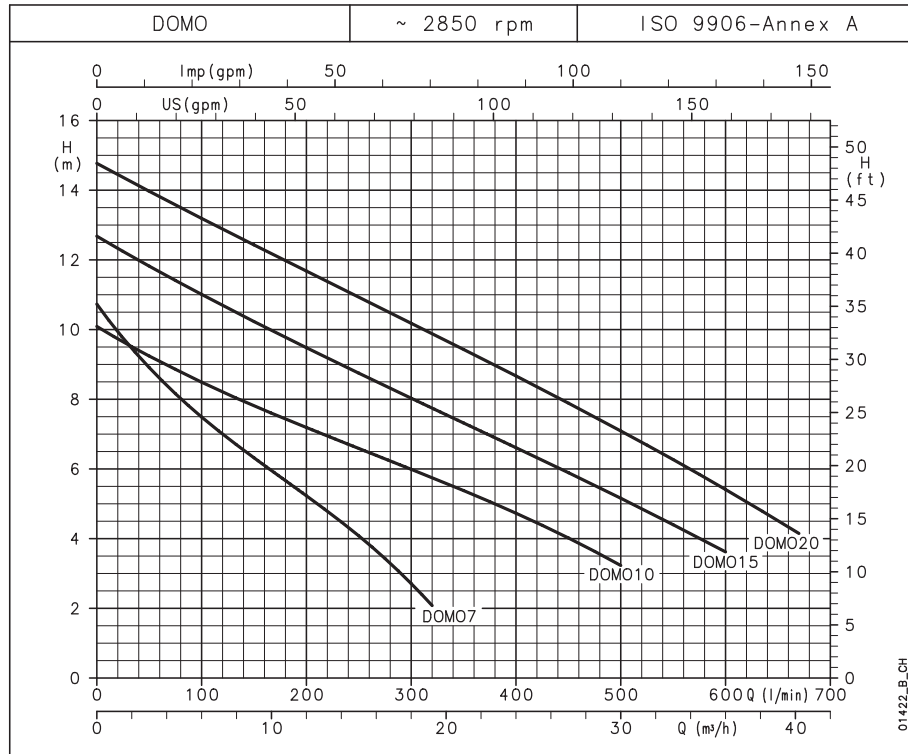
For a complete list of technical information, consult www.lowara.co.uk

Engineered for life



General Catalogue

DOMO SERIES - OPERATING CHARACTERISTICS AT 50 Hz



DOMO SERIES - HYDRAULIC PERFORMANCE TABLE

PUMP TYPE	RATED POWER		Q = DELIVERY											
			l/min	0	100	150	200	250	300	320	400	500	600	670
			m³/h	0	6	9	12	15	18	19,2	24	30	36	40,2
	kW	HP	H = TOTAL HEAD IN COLUMN OF WATER (METRES)											
DOMO 7(T)	0,55	0,75	10,7	7,5	6,3	5,2	4,1	2,7	2,1					
DOMO 10(T)	0,75	1	10,1	8,5	7,8	7,2	6,6	6,0	5,8	4,7	3,2			
DOMO 15(T)	1,1	1,5	12,7	11,0	10,2	9,5	8,8	8,0	7,8	6,6	5,2	3,6		
DOMO 20T	1,5	2	14,8	13,2	12,4	11,7	10,9	10,2	9,9	8,7	7,1	5,4	4,2	

These performances are valid for liquids with density $\rho = 1.0 \text{ kg/dm}^3$ and kinematic viscosity $\nu = 1 \text{ mm}^2/\text{s}$.

domo-2p50_a_th

ELECTRICAL DATA

PUMP TYPE	INPUT POWER*	INPUT CURRENT*	CAPACITOR
SINGLE-PHASE		220-240 V	
	kW	A	$\mu\text{F} / 450 \text{ V}$
DOMO 7	0,80	3,94	16
DOMO 10	1,14	5,84	22
DOMO 15	1,58	7,02	30
-	-	-	-

*Maximum value in specified range

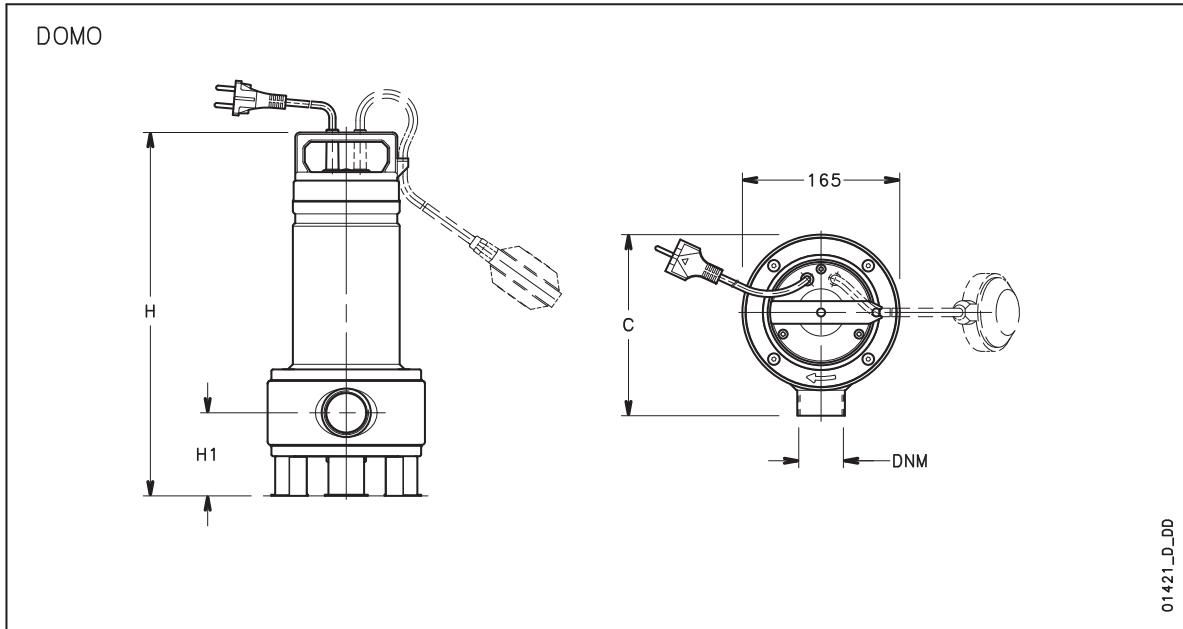
PUMP TYPE	INPUT POWER*	INPUT CURRENT*	INPUT CURRENT*
THREE-PHASE		220-240 V	380-415 V
	kW	A	A
DOMO 7T	0,73	2,58	1,49
DOMO 10T	1,09	4,09	2,36
DOMO 15T	1,49	4,73	2,73
DOMO 20T	1,96	6,6	3,81

domo-2p50_a_te

Engineered for life



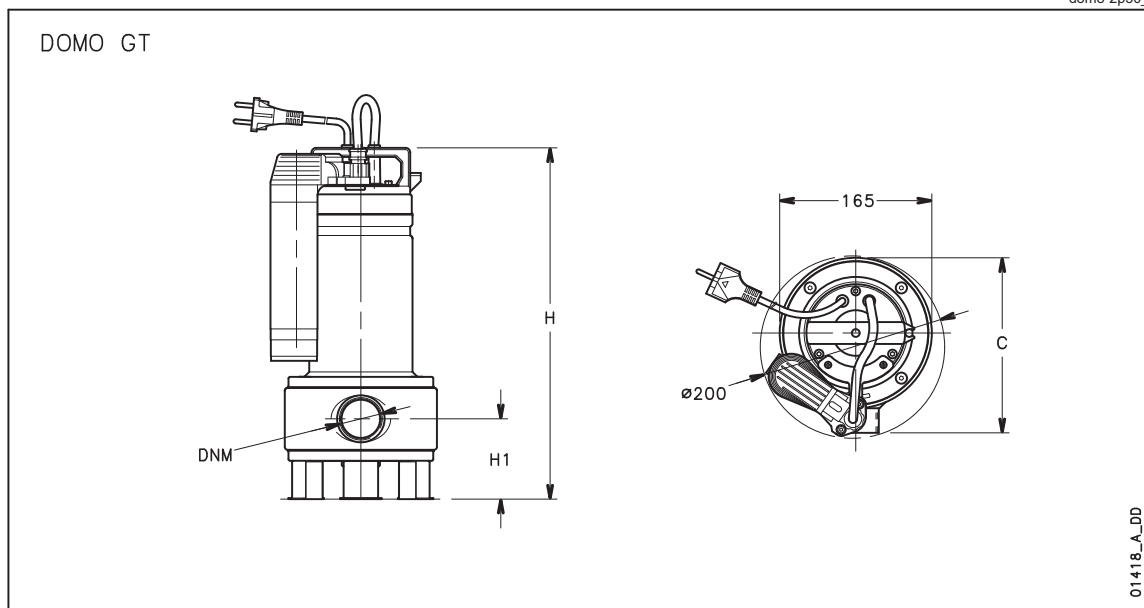
DOMO SERIES - DIMENSIONS AND WEIGHTS



PUMP TYPE SINGLE-PHASE		DIMENSIONS (mm)			DNM	WEIGHT kg
		H	H1	C		
DOMO 7	DOMO 7 GT	391	88	193	Rp1½	10,2
DOMO 7VX	DOMO 7VX GT					
DOMO10	DOMO10 GT	468	111,5	198	Rp2	13,6
DOMO10VX	DOMO10VX GT					
DOMO15	DOMO15 GT	468	111,5	198	Rp2	15,3
DOMO15VX	DOMO15VX GT					
-	-	-	-	-	-	-

PUMP TYPE THREE-PHASE		DIMENSIONS (mm)			DNM	WEIGHT kg
		H	H1	C		
DOMO 7T	DOMO 7VXT	391	88	193	Rp1½	8,9
DOMO10T	DOMO10VXT					
DOMO15T	DOMO15VXT	468	111,5	198	Rp2	13,6
DOMO20T	DOMO20VXT					

domo-2p50_c_td

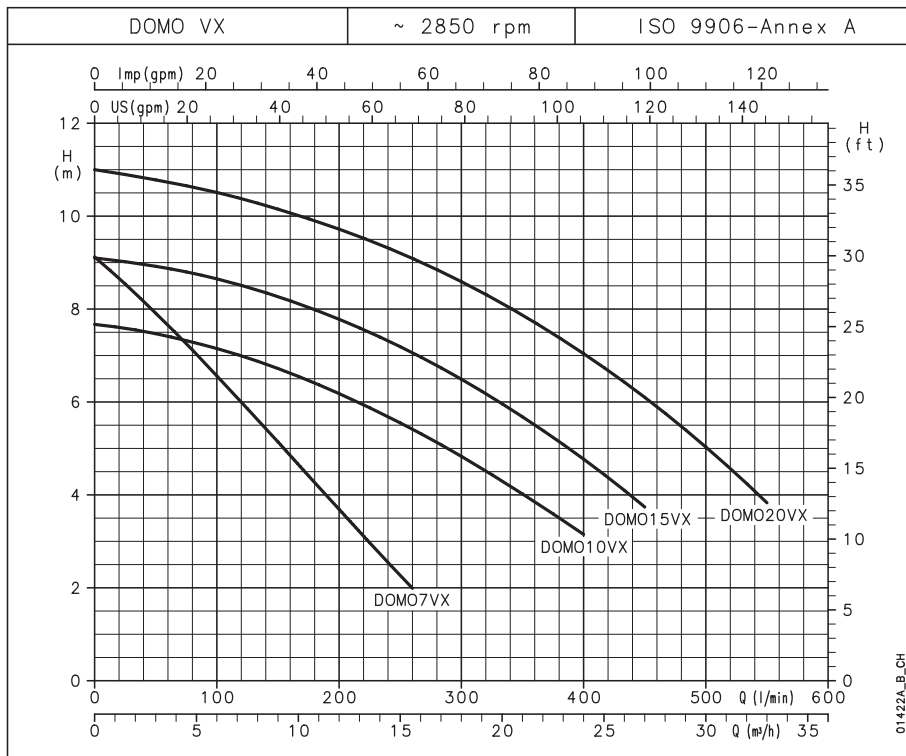


Engineered for life



General Catalogue

DOMO VX SERIES OPERATING CHARACTERISTICS AT 50 Hz



3

DOMO VX SERIES - HYDRAULIC PERFORMANCE TABLE

PUMP TYPE	RATED POWER		Q = DELIVERY													
			l/min	0	80	100	150	175	200	225	260	300	400	450	550	
			m³/h	0	4,8		6	9	10,5	12	13,5	15,6	18	24	27	33
			H = TOTAL HEAD IN COLUMN OF WATER (METRES)													
DOMO 7VX(T)	0,55	0,75		9,1	7,1	6,6	5,1	4,4	3,7	3,0	2,0					
DOMO 10VX(T)	0,75	1		7,7	7,3	7,1	6,7	6,5	6,2	5,9	5,4	4,8	3,1			
DOMO 15VX(T)	1,1	1,5		9,1	8,8	8,6	8,3	8,0	7,8	7,5	7,1	6,5	4,8	3,7		
DOMO 20VXT	1,5	2		11,0	10,6	10,5	10,2	9,9	9,7	9,5	9,1	8,6	7,0	6,1	3,8	

These performances are valid for liquids with density $\rho = 1.0 \text{ kg/dm}^3$ and kinematic viscosity $\nu = 1 \text{ mm}^2/\text{s}$.

domovx-2p50_a_th

ELECTRICAL DATA

PUMP TYPE	INPUT POWER*	INPUT CURRENT*	CAPACITOR
SINGLE-PHASE	kW	A	$\mu\text{F} / 450 \text{ V}$
DOMO 7VX	0,79	3,91	16
DOMO 10VX	1,15	5,88	22
DOMO 15VX	1,36	6,11	30
-	-	-	-

PUMP TYPE	INPUT POWER*	INPUT CURRENT*	INPUT CURRENT*
THREE-PHASE	kW	A	A
DOMO 7VXT	0,71	2,56	1,48
DOMO 10VXT	1,10	4,09	2,36
DOMO 15VXT	1,26	4,31	2,49
DOMO 20VXT	1,74	6,22	3,59

*Maximum value in specified range

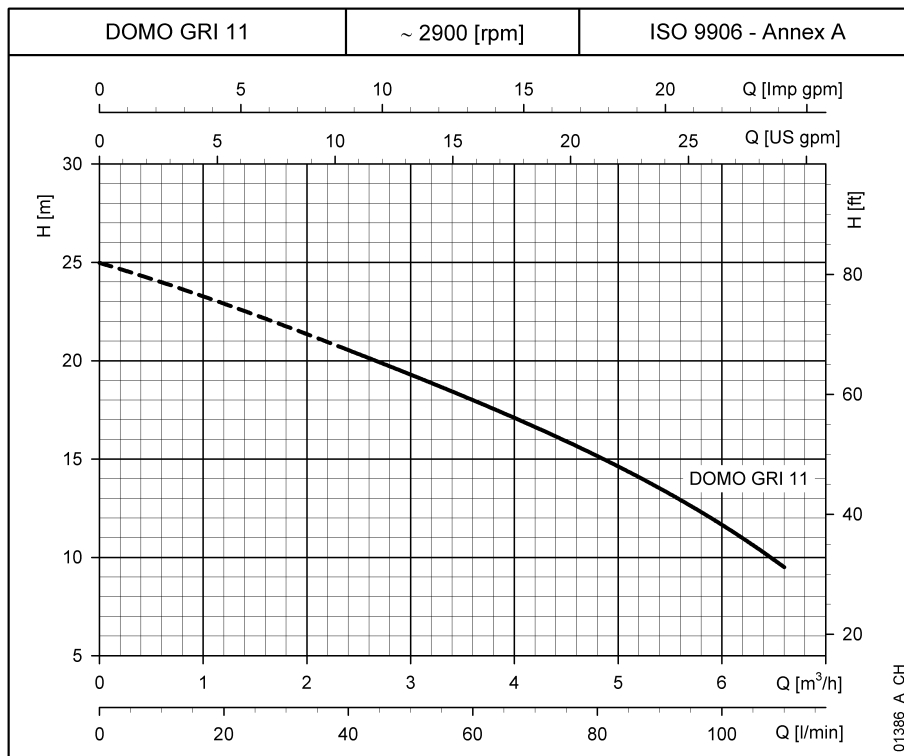
domovx-2p50_a_te

Engineered for life



General Catalogue

DOMO GRI SERIES OPERATING CHARACTERISTICS AT 50 Hz



DOMO GRI SERIES HYDRAULIC PERFORMANCE TABLE

PUMP TYPE	RATED POWER		Q = DELIVERY											
			l/min	0	15	30	40	50	60	70	80	90	100	110
			m ³ /h	0	0,9	1,8	2,4	3	3,6	4,2	4,8	5,4	6	6,6
			H = TOTAL HEAD METRES COLUMN OF WATER											
DOMO GRI 11 (SG)	1,1	1,5	25,0	23,5	21,7	20,5	19,3	18,0	16,6	15,2	13,5	11,7	9,5	
DOMO GRI 11 T														

These performances are valid for liquids with density $\rho = 1,0 \text{ kg/dm}^3$ and kinematic viscosity $\nu = 1 \text{ mm}^2/\text{s}$.

domo-gri-2p50-en_a_th

ELECTRICAL DATA

PUMP TYPE	RATED POWER*	ABSORBED CURRENT*	CAPACITOR	PUMP TYPE	RATED POWER*	ABSORBED CURRENT*	ABSORBED CURRENT*
SINGLE-PHASE	kW	220-240 V A	$\mu\text{F} / 450 \text{ V}$	THREE-PHASE	kW	220-240 V A	380-415 V A
DOMO GRI 11 (SG)	1,50	6,84	30	DOMO GRI 11 T	1,39	4,55	2,63

* Maximum value in specified range

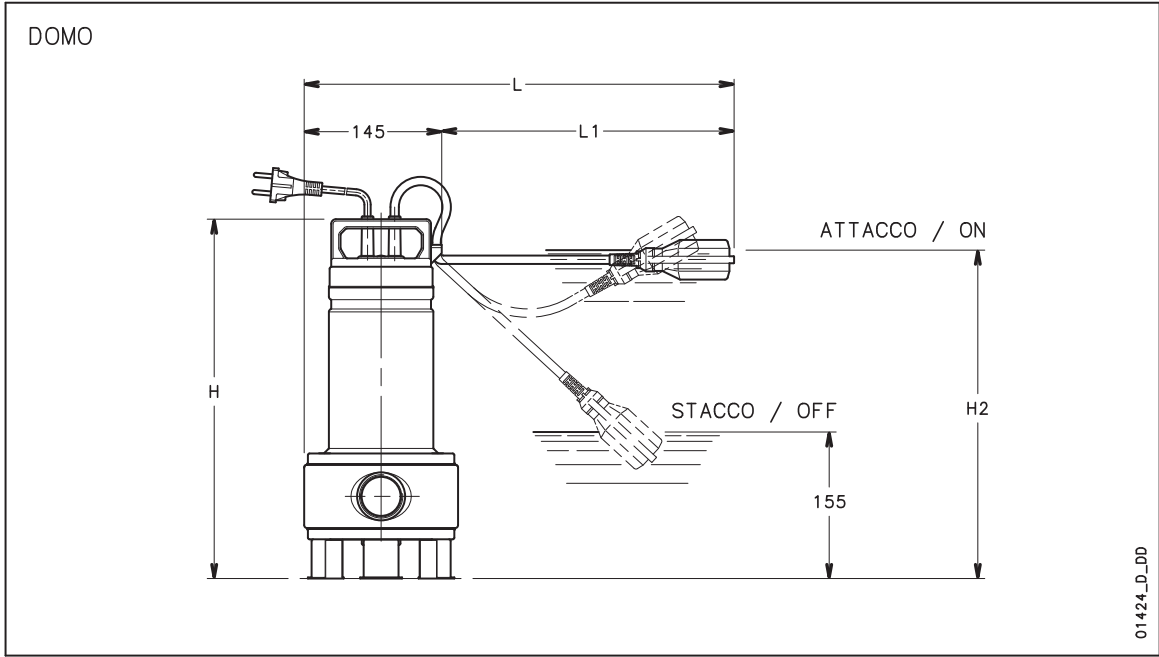
domo-gri-2p50-en_b_te

Engineered for life



General Catalogue

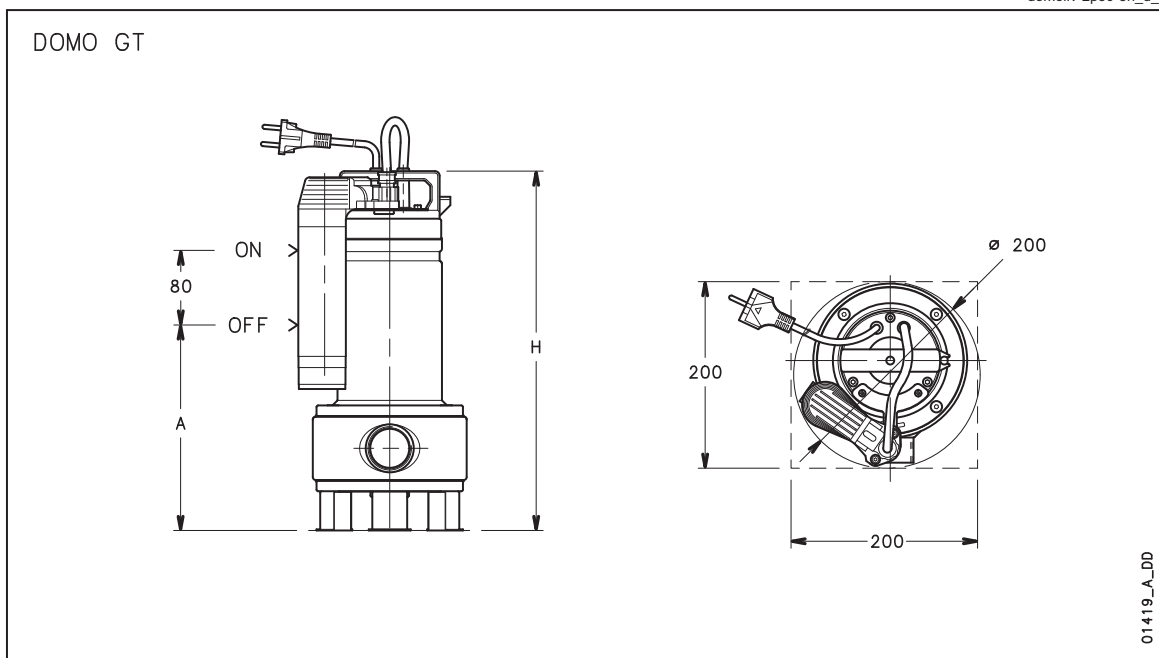
DOMO SERIES – INSTALLATION EXAMPLES



3

PUMP TYPE		DIMENSIONS (mm)						
		H	H2	H3	L	L1	L2	A
DOMO 7 - DOMO 7 GT	DOMO 7VX - DOMO 7VX GT	391	375	155	420	275	145	225
DOMO10 - DOMO10 GT	DOMO10VX - DOMO10VX GT	468	420	155	495	350	145	255
DOMO15 - DOMO15 GT	DOMO15VX - DOMO15VX GT	468	420	155	495	350	145	255
DOMO GRI 11	-	446	400	135	508	350	158	-

domoliv-2p50-en_d_td



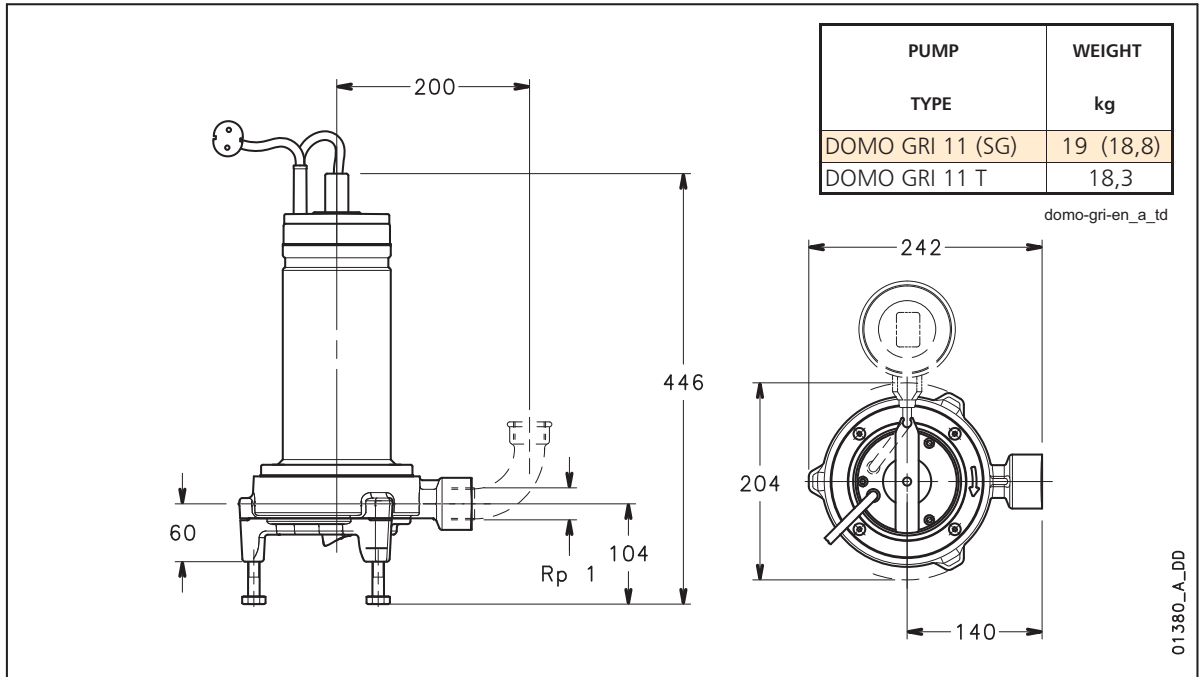
Engineered for life



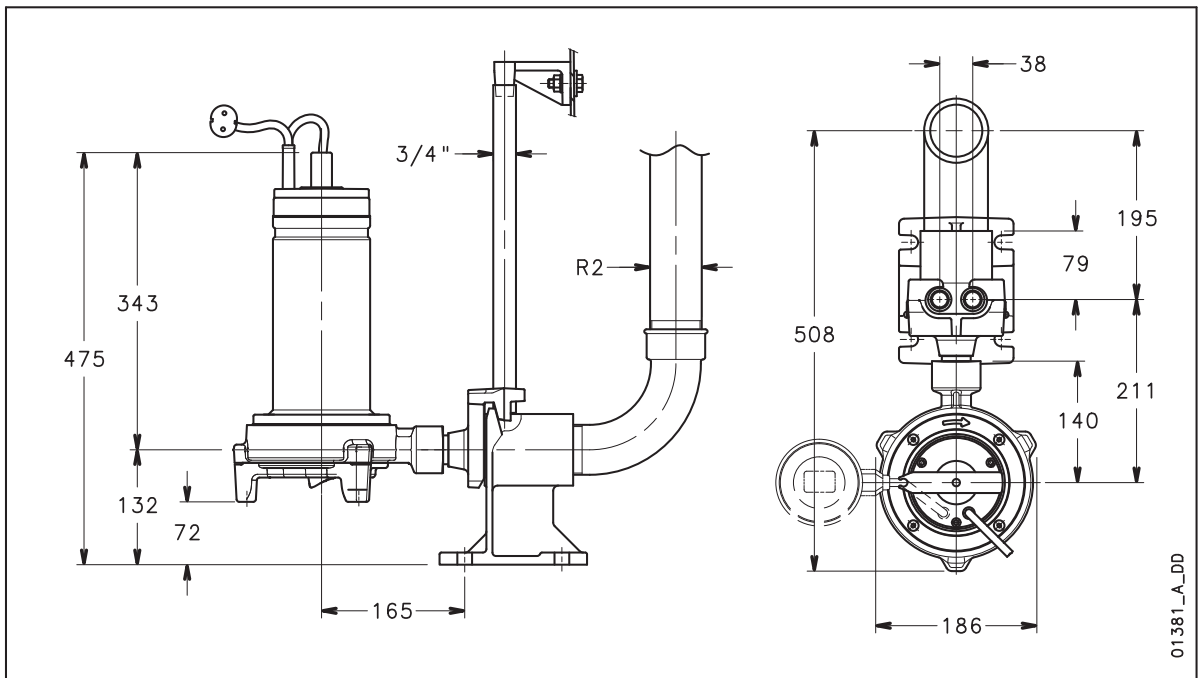
General Catalogue

DOMO GRI SERIES DIMENSIONS AND WEIGHTS

3



INSTALLATIONS EXAMPLES



Engineered for life