



P-PAB-PSA Series

Peripheral pumps capable of developing high heads using low-powered motors.

Some models are available in the PB versions (bronze body for sea water), PK versions (compatible with hot water up to 80°C) and PBK versions (pump body in bronze compatible with hot water up to 80°C).

SPECIFICATIONS

Delivery: up to 3.72 m³/h

Head: up to 82 m

Power supply: three-phase and single-phase 50 and 60 Hz

Power: 0.3 kW to 1.1 kW

Maximum operating pressure:
8 bar (10 bar for the PSA series)

Temperature of pumped liquid:
-10°C to +40°C (P series)

-10°C to +80°C (PSA-PAB-PABLB series)

Maximum ambient temperature:
40°C

Insulation class: F

Protection: IP44 (models P16, P21, PAB, PABLB)

IP55 (models P30, P40, P60, P70 e PSA)

MATERIALS

Pump body: Cast iron (P-PSA series)
Bronze (PB-PAB-PABLB series)

Adapter: Cast iron (P-PSA series)
Bronze (PB-PAB-PABLB series)

Impeller: Bronze

Mechanical seal:
Ceramic/Carbon/NBR

Fill plugs: Brass

Elastomers: NBR

APPLICATIONS

- Water distribution
- Washing
- Boiler
- Hot water systems
- Pressure boosting
- Irrigation
- Cooling and chilling



For a complete list of technical information, consult www.lowara.com

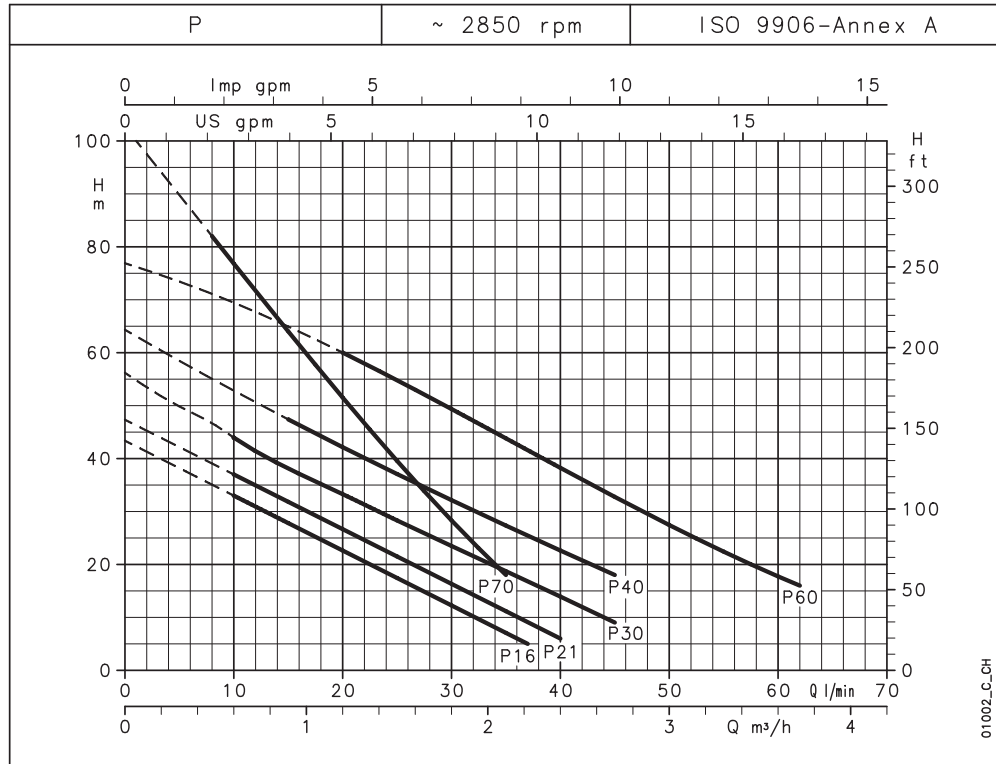
Engineered for life



P SERIES

OPERATING CHARACTERISTICS AT 50 Hz

1



HYDRAULIC PERFORMANCE TABLE

PUMP TYPE	RATED POWER		Q = DELIVERY										
			l/min	0	8	10	15	20	35	37	40	45	62
			m ³ /h	0	0,48	0,60	0,90	1,20	2,10	2,22	2,40	2,70	3,72
	kW	HP	H = TOTAL HEAD IN COLUMN OF WATER (METRES)										
P(M)16	0,3	0,4	43,4		33,0	27,8	22,6	7,1	5,0				
P(M)21	0,37	0,5	47,4		37,0	31,8	26,7	11,2	9,1	6,0			
P(M)30	0,5	0,7	56,2		44,0	38,5	33,3	18,7	16,8	13,9	9,0		
P(M)40	0,6	0,8	64,3			47,4	42,2	27,3	25,4	22,6	18,0		
P(M)60	1,1	1,5	76,9				60,0	43,8	41,6	38,2	32,8	16,0	
P(M)70	0,75	1	102,6	82,0	76,8	64,0	51,5	18,0					

These performances are valid for liquids with density $\rho = 1.0 \text{ kg/dm}^3$ and kinematic viscosity $\nu = 1 \text{ mm}^2/\text{s}$.

p-2p50_b_th

ELECTRICAL DATA

PUMP TYPE	INPUT POWER*	INPUT CURRENT*	CAPACITOR
SINGLE-PHASE		220-240 V	
	kW	A	$\mu\text{F} / 450 \text{ V}$
PM16	0,50	2,2	10
PM21	0,58	2,8	12,5
PM30	0,8	4	16
PM40	1,15	5,3	20
PM60	1,77	7,95	30
PM70	1,36	6,12	25

PUMP TYPE	INPUT POWER*	INPUT CURRENT*	INPUT CURRENT*
THREE-PHASE		220-240 V	380-415 V
	kW	A	A
P16	0,48	1,55	0,9
P21	0,55	1,9	1,1
P30	0,78	2,8	1,6
P40	1,1	3,6	2,1
P60	1,72	5,23	3,02
P70	1,3	4,36	2,52

*Maximum value in specified range

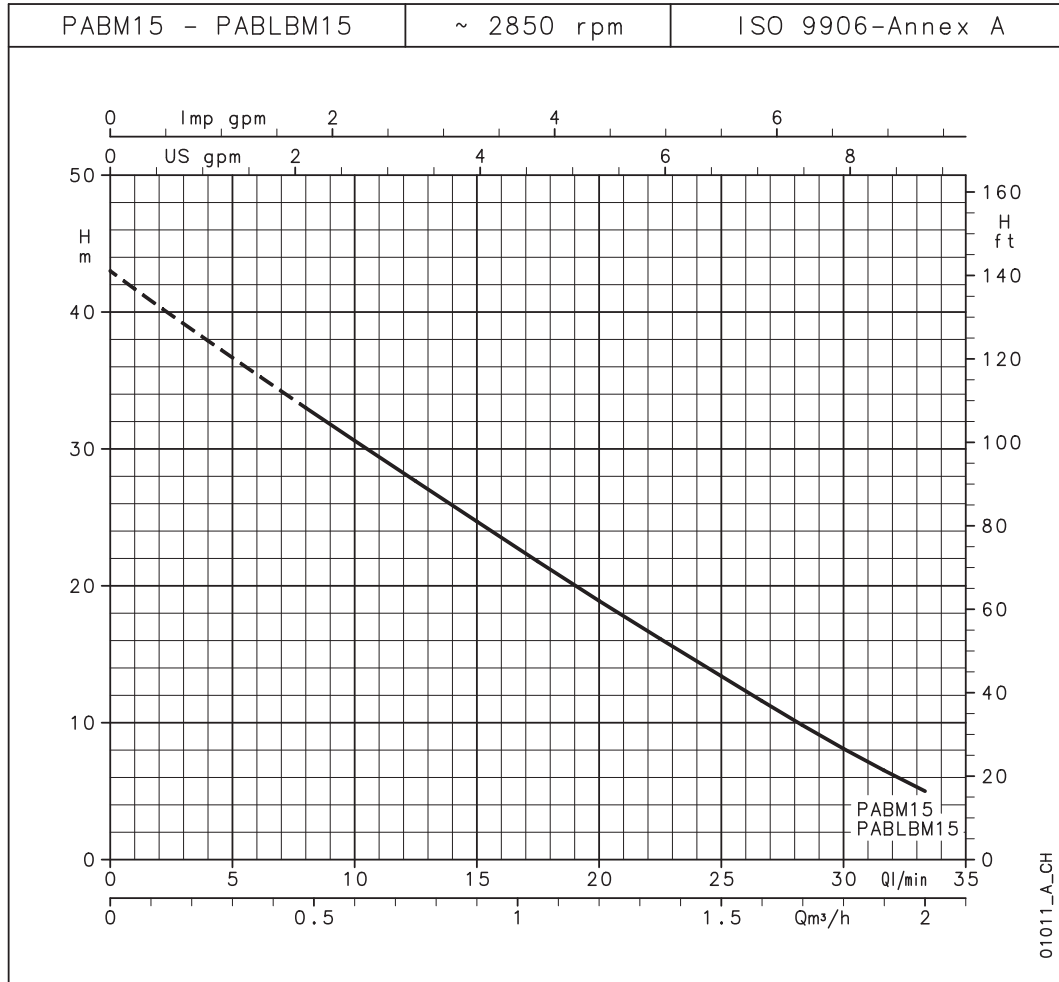
p-2p50_b_te

Engineered for life



General Catalogue

PAB SERIES OPERATING CHARACTERISTICS AT 50 Hz



HYDRAULIC PERFORMANCE TABLE

PUMP TYPE	RATED POWER		Q = DELIVERY								
			l/min	0	8	10	15	20	25	30	33
			m³/h	0	0,48	0,60	0,90	1,20	1,50	1,80	1,98
	kW	HP	H = TOTAL HEAD IN COLUMN OF WATER (METRES)								
PABM15	0,37	0,5	43,0	33,0	30,6	24,7	18,9	13,4	8,1	5,0	
PABLBM15	0,37	0,5	43,0	33,0	30,6	24,7	18,9	13,4	8,1	5,0	

These performances are valid for liquids with density $\rho = 1.0 \text{ kg/dm}^3$ and kinematic viscosity $\nu = 1 \text{ mm}^2/\text{s}$.

pab-2p50_a_th

ELECTRICAL DATA

PUMP TYPE	INPUT POWER*	INPUT CURRENT*	CAPACITOR
SINGLE-PHASE		220-240 V	
	kW	A	$\mu\text{F} / 450 \text{ V}$
PABM15	0,47	2,1	10
PABLBM15	0,47	2,1	10

*Maximum value in specified value

PUMP TYPE	INPUT POWER*	INPUT CURRENT*	INPUT CURRENT*
THREE-PHASE		220-240 V	380-415 V
	kW	A	A
-	-	-	-
-	-	-	-

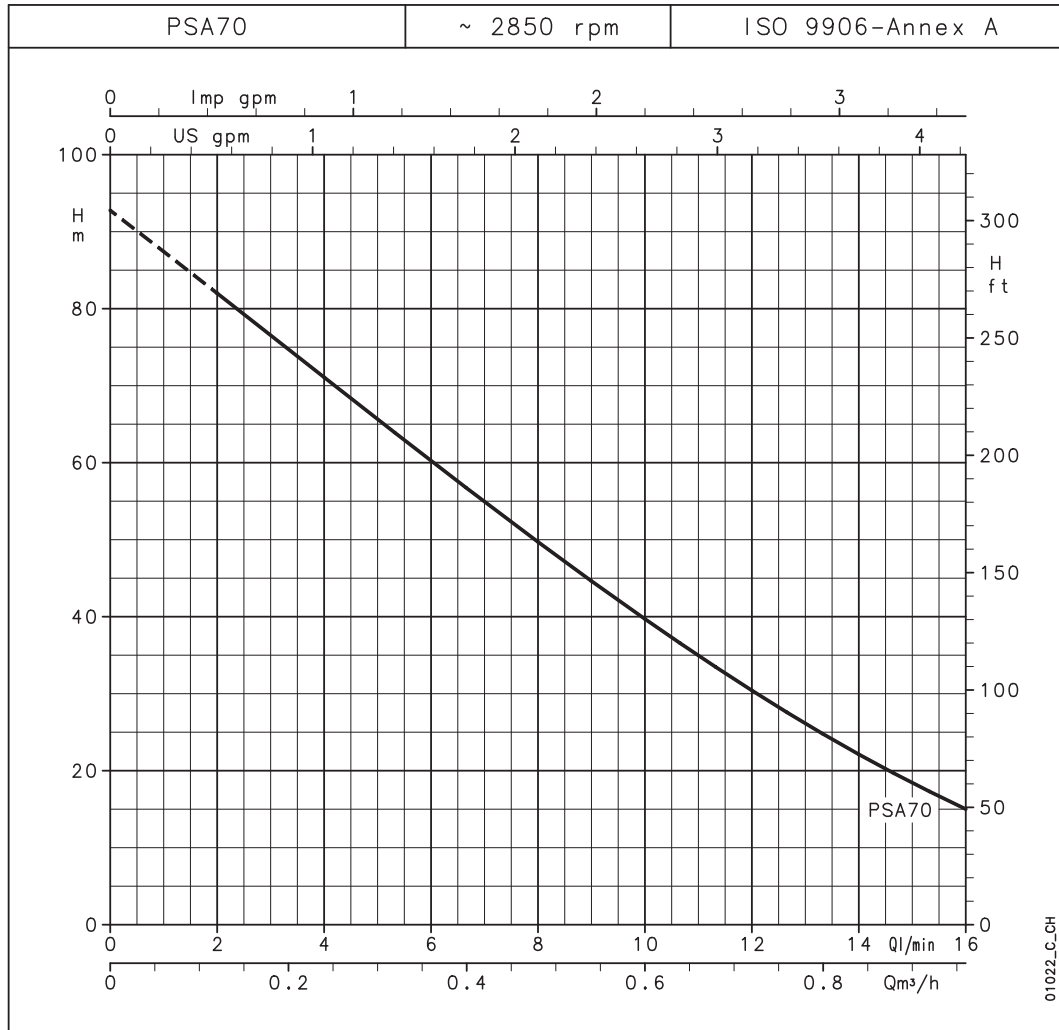
pab-2p50_a_te

Engineered for life



PSA70 SERIES

OPERATING CHARACTERISTICS AT 50 Hz



HYDRAULIC PERFORMANCE TABLE

PUMP TYPE	RATED POWER		Q = DELIVERY							
			l/min	2	4	8	10	12	14	16
			0	0.12	0.24	0.48	0.6	0.72	0.84	0.96
			m ³ /h							
			H = TOTAL HEAD IN COLUMN OF WATER (METRES)							
PSA(M)70	0,37	0,5	92,8	82,0	71,1	49,7	39,7	30,4	22,1	15,0

These performances are valid for liquids with density $\rho = 1.0 \text{ kg/dm}^3$ and kinematic viscosity $\nu = 1 \text{ mm}^2/\text{s}$.

psa-2p50_a_th

ELECTRICAL DATA

PUMP TYPE	INPUT POWER*	INPUT CURRENT*	CAPACITOR
SINGLE-PHASE		220-240 V	
	kW	A	$\mu\text{F} / 450 \text{ V}$
PSAM70	0,75	3,41	16

*Maximum value in specified range

PUMP TYPE	INPUT POWER*	INPUT CURRENT*	INPUT CURRENT*
THREE-PHASE		220-240 V	380-415 V
	kW	A	A
PSA70	0,76	2,75	1,59

psa-2p50_a_te

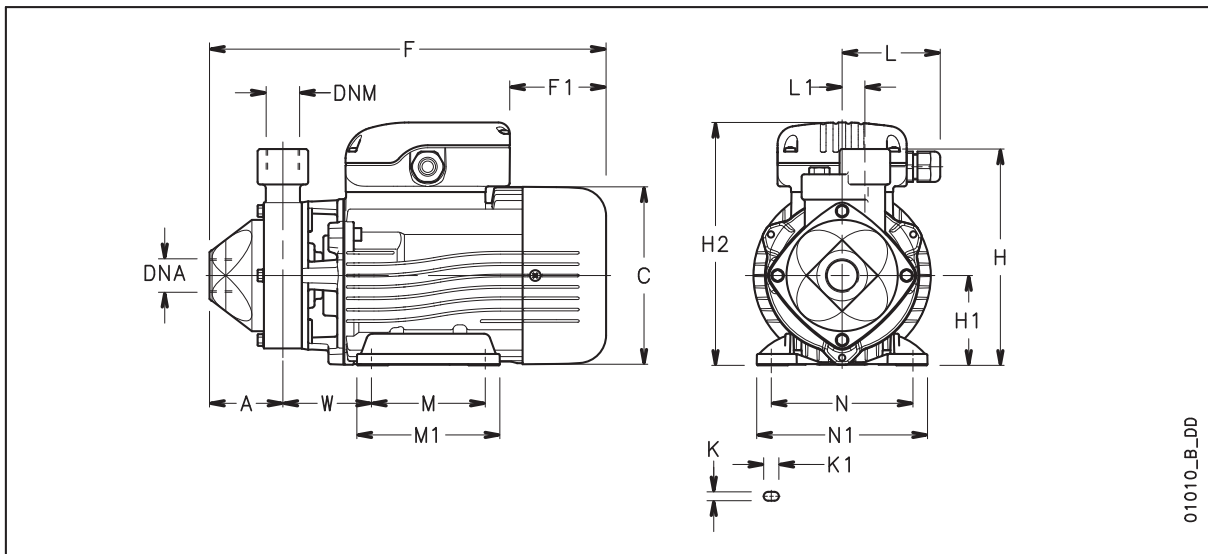
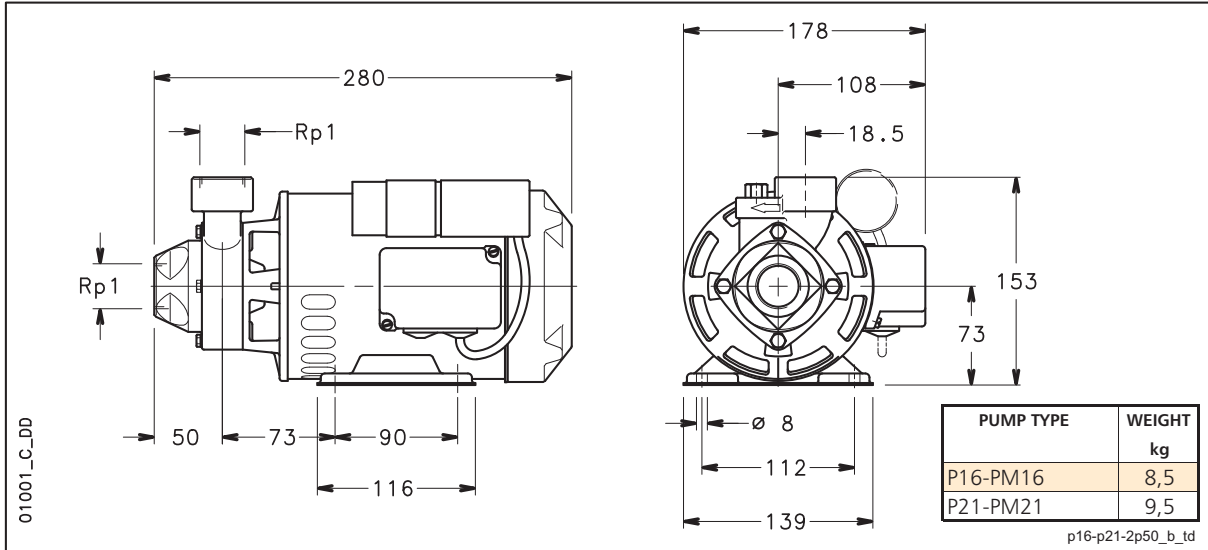
Engineered for life



General Catalogue

P SERIES DIMENSIONS AND WEIGHTS

1



PUMP TYPE	DIMENSIONS (mm)																DNA DNM	WEIGHT kg
	A	C	F	F1	H	H1	H2	L	L1	M	M1	N	N1	K	K1	W		
P30-PM30	55	140	311	76	161	71	192	78	20	90	113	112	135	7	12	70,5	Rp 1	9,7
P40-PM40	55	140	311	76	161	71	192	78	20	90	113	112	135	7	12	71	Rp 1	10,2
P60	58	155	354	113	180	80	209	78	20	100	124	125	153	9	12	83	Rp 1	14,2
PM60	58	155	354	68	180	80	217	81	20	100	124	125	153	9	12	83	Rp 1	15,5
P70-PM70	58	140	314	76	171	71	192	78	18	90	113	112	135	7	12	70	Rp 3/4	11,5

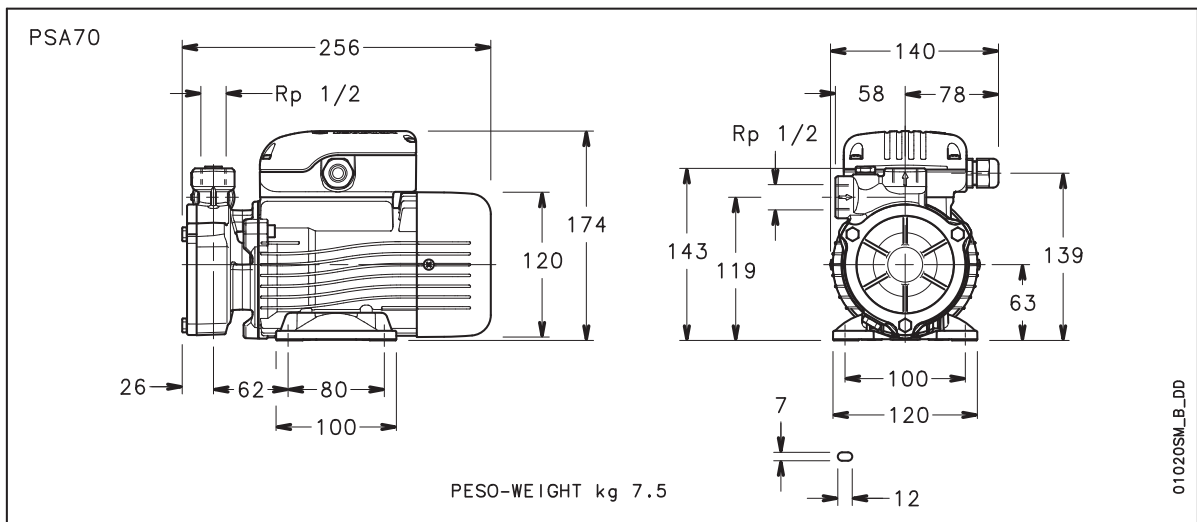
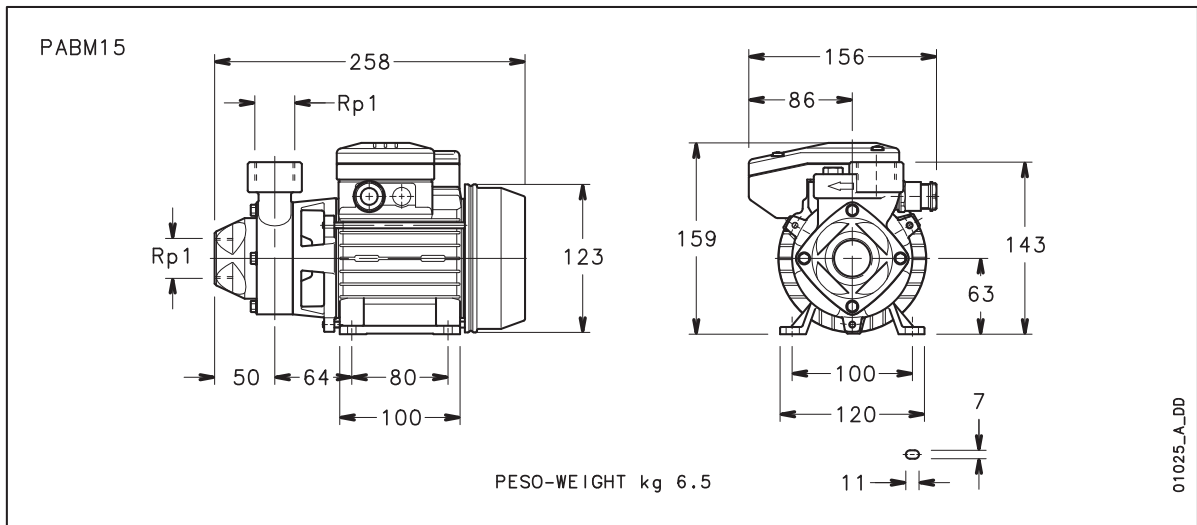
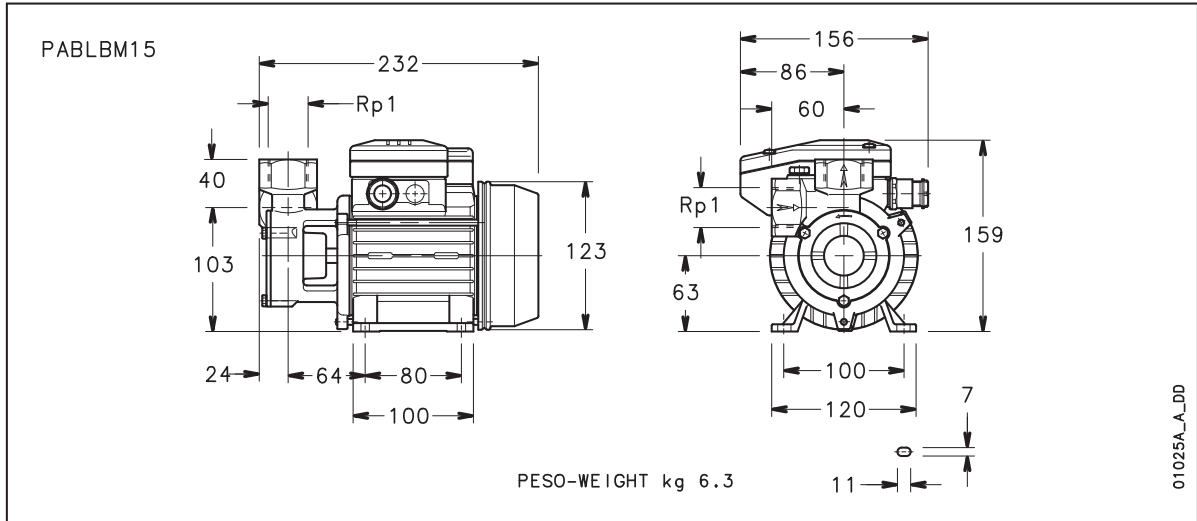
p30-70-2p50_b_td

Engineered for life



PAB-PSA70 SERIES - DIMENSIONS AND WEIGHTS

1



Engineered for life