

# Kennet centrifugal pumps

The Kennet range of centrifugal pumps are designed for continuous operation. Options include motor, impeller and seal type.

Automatic Flow Switch and Boostomatic pressure switch versions are also available.

## Application

The Kennet range of centrifugal pumps is designed for liquid transfer, pressure boosting or distribution of clean, fresh water. Other clean, non aggressive, non explosive liquids with similar characteristics to water may be pumped.

## Features

- Robust design
- Choice of materials
- Seal options
- Quiet operation

## Materials

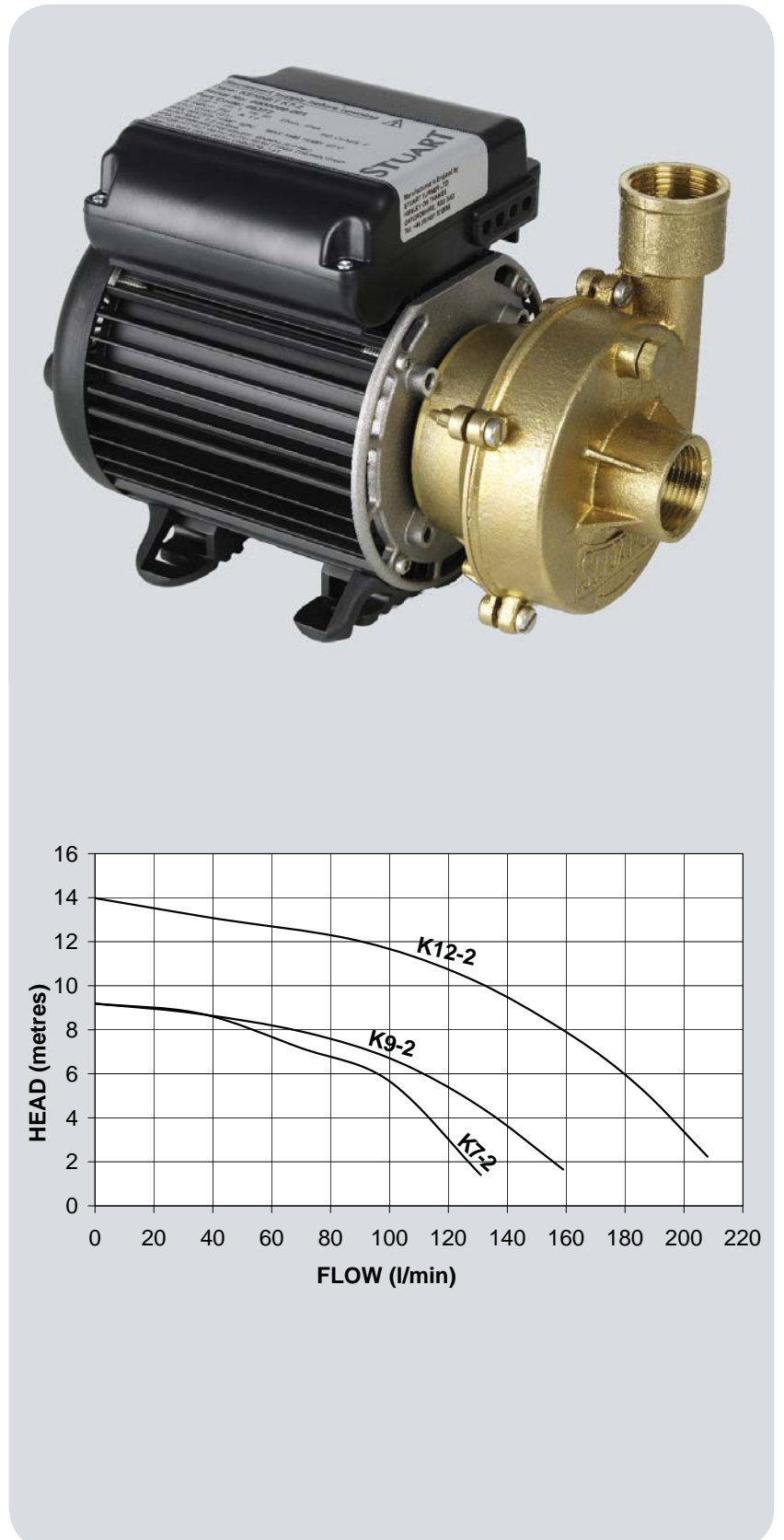
Body	Brass
Impeller	Brass or plastic
Pump shaft	Stainless steel
Seal options	Nitrile/carbon/silicon Nitrile/carbon/ceramic Viton/carbon/silicon

## Operating Conditions

Max. liquid temp.	80°C
Min. liquid temp.	4°C
Max. suction lift	4.6 m
Max. ambient temp.	40°C
Max. viscosity	50 Secs redwood no. 1 scale 9.5 centistokes

## Pump Connection Sizes

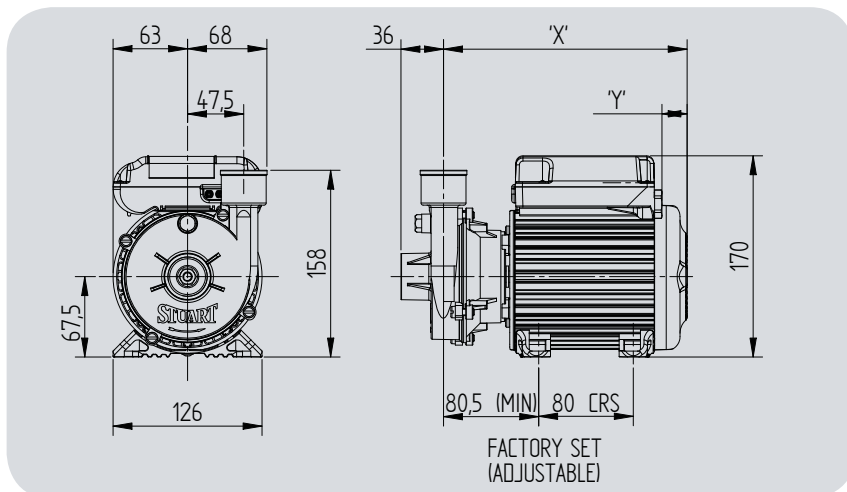
Inlet	G 1 F
Outlet	G 1 F



# Kennet centrifugal pumps

Model	Motor*	Nominal Watts	Max. watts consumed	Amps full load	Impeller	Seal	Carton dims. mm			Gross weight (packed) kg	Part no.
							L	x W	xH		
<b>K7-2</b>	230/1/50	180	230	1.0	Plastic	Nit/Car/Sil	325	x 200	x 236	6.1	46372
<b>K9-2</b>	230/1/50	250	330	1.5	Plastic	Nit/Car/Sil	325	x 200	x 236	6.3	46374
<b>K12-2</b>	230/1/50	500	595	2.8	Plastic	Nit/Car/Sil	381	x 200	x 236	8.2	46379
<b>K12-2</b>	230/1/50	500	635	2.9	Brass	Nit/Car/Cer	381	x 200	x 236	8.2	46381
<b>K12-2</b>	230/1/50	500	635	2.9	Brass	Vit/Car/Sil	381	x 200	x 236	8.2	46383

\*Single phase motors are built to IP44, all motors are designed for continuous (S1) running and feature totally enclosed fan ventilated cooling and integral thermal overload protection.



Pump Description	Dim. 'X'	Dim. 'Y'
K7-2	206	21
K9-2	206	21
K12-2	241	56

All dimensions shown are in mm.

Stuart Turner Ltd  
Henley-on-Thames  
Oxfordshire RG9 2AD  
England  
Telephone: +44 (0)1491 572655  
Fax: +44 (0)1491 573704

Email:  
pumps@stuart-turner.co.uk  
Web:  
www.stuart-turner.co.uk

V.A.T. REG. No. 199 0987 92.  
Registered in England No. 88368.  
Registered Office:  
Market Place, Henley-on-Thames

**STUART  
TURNER**