

Techflo qt Universal Pumps

Techflo qt centrifugal pumps use the most advanced multistage impeller and diffuser design which not only provides high pressure and flow but also provides a whisper quiet operation when boosting the performance of a single shower, complete bathroom or whole house. Suitable for positive and negative head applications.

Applications

Twin

- Boost hot and cold water supplies equally.
- Single function shower.
- Multi-function shower.
- Bath/basin mixer tap.

Single

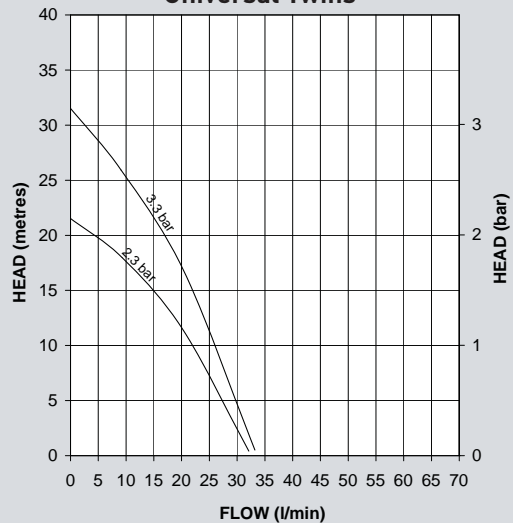
- Boost the water pressure in either the hot or cold supply.

Features include:

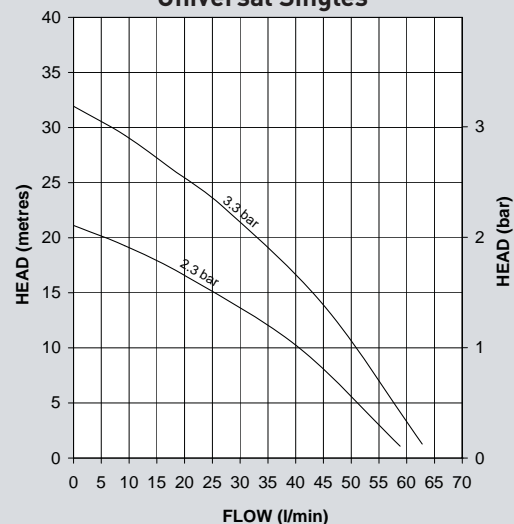
- Fully automatic.
- 22 mm push-in flexible hoses with integral isolating valves on inlets.
- Pre-wired with 1.5 metre cable.
- Anti-vibration feet.
- Reassurance of up to a 3-year guarantee (subject to conditions)



Universal Twins

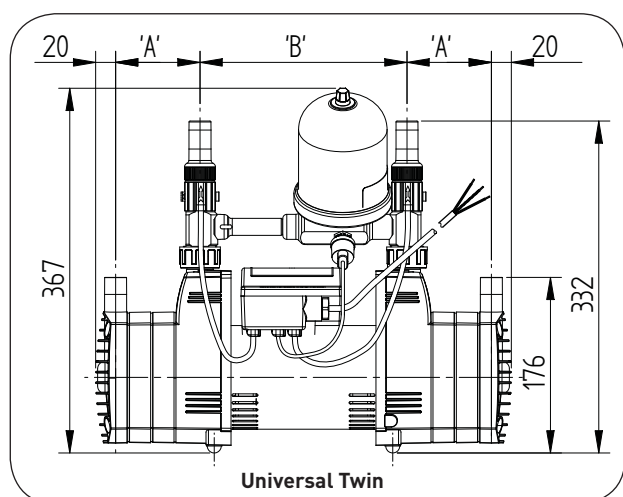


Universal Singles



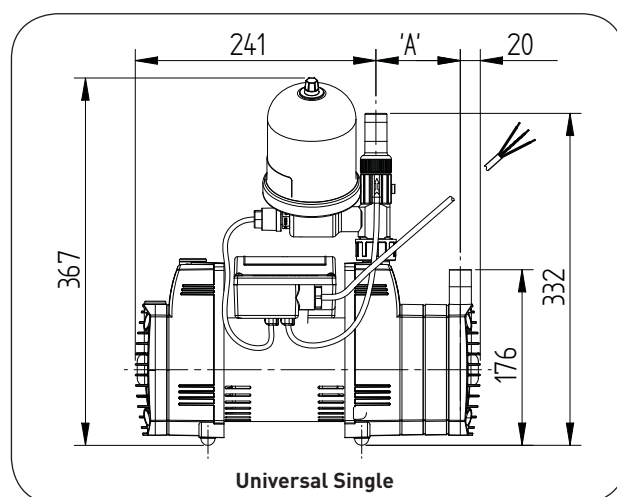
Techflo qt Universal Pumps

System Booster Pumps	U2.3 bar Twin 49080	U3.3 bar Twin 49081	U2.3 bar Single 49082	U3.3 bar Single 49083
Performance (bar) @ 9 l/min	1.9	2.8	1.7	2.5
Maximum Flow Litres Per Minute	58	63	32	32
Maximum Head Valve Closed (bar)	2.3	3.3	2.3	3.3
Maximum Inlet Static Head (Metres)	6	6	6	6
Hoses Flexible 22 mm Push-In	✓	✓	✓	✓
Pump Connection 22 mm Male	✓	✓	✓	✓
Carbon Silicon Carbide Mechanical Seal	✓	✓	✓	✓
Flow Switch Sensitivity approx. 1.0 l/min	✓	✓	✓	✓
WRAS Compliant 65°C max	✓	✓	✓	✓
Power Supply 230/1/50	✓	✓	✓	✓
Enclosure Rating BS EN 60529	IPX2	IPX2	IPX2	IPX2
Motor Type, Induction, Permanent Capacitor, Auto Resetting Protective Thermotrip	✓	✓	✓	✓
Power Consumption (Watts)	540	820	290	410
Full Load Amps	2.4	3.6	1.2	1.8
Fuse Rating Amps	5	5	5	5
Pre-Wired	✓	✓	✓	✓
Duty Rating Intermittent (S3) 30 mins on/ 30 mins off @ 20 l/min	✓	✓	✓	✓
Length mm	345	415	322	345
Width mm	167	167	167	167
Height mm without flexibles	367	367	367	367
Gross Weight Packed (Kg)	8.7	11.3	7.4	8.3



Universal Twin

Pump Description	Dim. 'A'	Dim. 'B'
U2.3 bar Twin	61 mm	183 mm
U3.3 bar Twin	84 mm	207 mm



Universal Single

Pump Description	Dim. 'A'
U2.3 bar Single	61 mm
U3.3 bar Single	84 mm



Stuart Turner Ltd
 Henley-on-Thames
 Oxfordshire RG9 2AD
 England
 Telephone: +44 (0)1491 572655
 Fax: +44 (0)1491 573704

info@stpumps.co.uk
 www.stuart-turner.co.uk

V.A.T. REG. No. 199 0987 92.
 Registered in England No. 88368.
 Registered Office:
 Market Place, Henley-on-Thames