

Phone
Fax

TOP-SD 50/15 3~ PN 10
System: Twin head standard pump

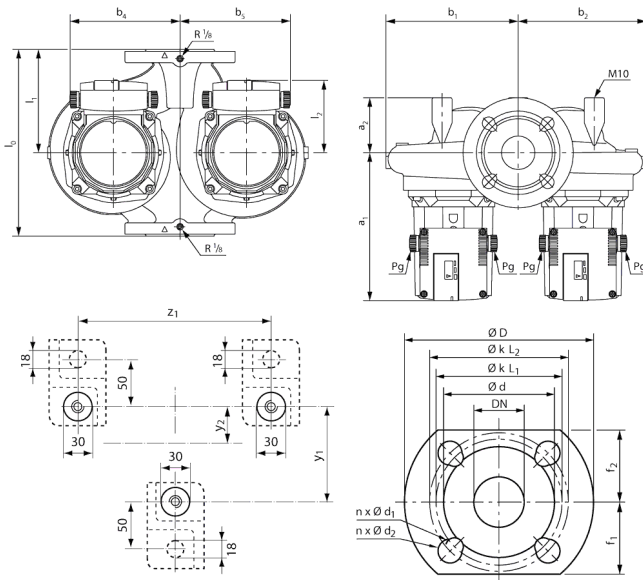
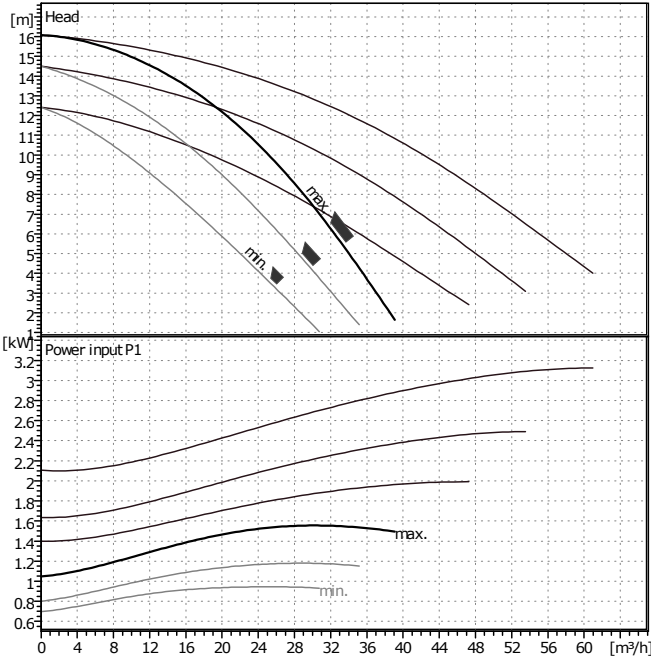


Customer
Customer no.
Contact
Care of

Project
Project no.
Position no.
Location
Date

2013-12-04

Page 1 / 1



Requested data

Flow	0	m ³ /h
Head	0	m
Fluid	Water, pure	
Fluid temperature	20	°C
Density	0.9983	kg/dm ³
Kinematic viscosity	1.005	mm ² /s
Vapor pressure	0.02337	bar

Pump data

Make	WILO
Type	TOP-SD 50/15 3~ PN 10
Pumpe type	Twin pump main peak
Pressure rating	PN10
Min. fluid temperature	-20 °C
Max. fluid temperature	130 °C

Hydraulic data (duty point)

Flow	m ³ /h
Head	m
Power input P1	kW
Speed	2800 1/min

Minimum suction head

Temperature	50	95	110	130	°C
Minimum suction head	3	10	16	29	m

Materials / Shaft seal

Pump housing	Cast iron
Shaft	X 46 Cr 13
Impeller	Fiber-reinforced polypropylene
Bearing	Metal impregnated carbon

Dimensions per pump

		mm					
a1	243	b5	173	y2	30	dL1	14
a2	83	l0	340	z1	252	dL2	19
b1	209	l1	170	n	4	kL1	110
b2	200	l2	119	d	99	kL2	125
b4	173	y1	184	D	165	Pg	2 x 13,5

Suction side	DN 50 (50/15) / PN 6/10
Discharge side	DN 50 (50/15) / PN 6/10
Weight	50 kg

Motordata per Motor/Pump/

Energy efficiency class	D
Rated power P2	1.1 kW
Power input P1	1.6 kW
Nominal speed	2800 1/min
Rated voltage	3~400 V, 50 Hz
Max. current	3.13 A
Degree of protection	IP X4D
Permitted voltage tolerance	+/- 10%

Item no. of standard version 2080086

