

MULTI EVO-A

SELF-PRIMING MULTISTAGE CENTRIFUGAL PUMPS

Multi EVO-A is a self-priming multi-stage centrifugal horizontal pump with an inlet with axial thread and an outlet with radial thread. The innovative, high efficiency hydraulic system is connected to a motor of the latest generation with a mechanical seal.

All models are certified for use with drinking water (ACS and DM174)

ADVANTAGES

The Multi EVO series pumps feature the following advantages:

- High reliability - thanks to the durable and innovative design
- Silent - more comfort for the user thanks to its silent operation
- Compact shape
- Many possible uses for the residential market
- Excellent priming ability

SPECIFICATIONS:

PUMP

- Hydraulic performance according to ISO 9906:2012 - Grade 3B
- Type of liquid: clean water without suspended solids or abrasive material
- Maximum temperature of the liquid 50°C
- Maximum operating pressure 8 bar

MOTOR

- Closed, air ventilated (TEFC)
- 2 poles, 50 Hz (n=2850 rpm)
- IE3 three-phase AC (P2 ≥ 0.75 kW)
- Protection level: IP55
- Insulation class: F
- Maximum ambient temperature 40°C
- Single-phase power supply with capacitor permanently on and thermal protection built into the motor casing.

APPLICATIONS

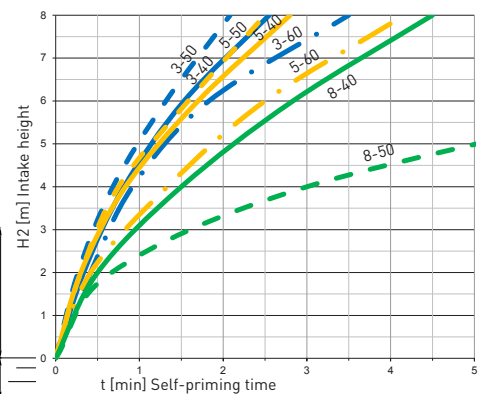
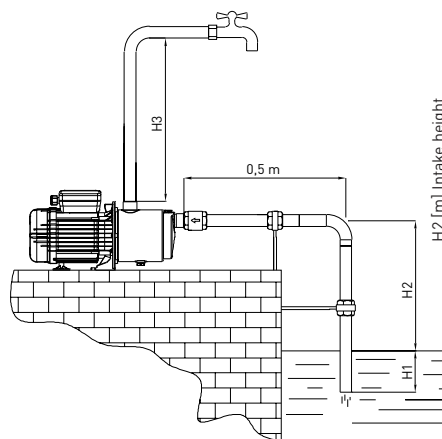
- Pressurising and supply
- Irrigation
- Use of rainwater
- Washing systems



SELF-PRIMING CAPACITY

H20, T = 20°C,
Pa = 1000 hPa (mbar)
H3 = vertical section

H2 (m)	H3 (m) minimum							
	3-40	3-50	3-60	5-40	5-50	5-60	8-40	8-50
2	0.15	0.15	0.15	0.15	0.15	0.15	0.25	0.3
4	0.15	0.15	0.35	0.15	0.15	0.35	0.25	0.6
6	0.15	0.15	0.55	0.15	0.15	0.65	0.3	
8	0.55	0.35	0.55	0.45	0.55	0.65	0.65	



MULTI EVO-A

SELF-PRIMING MULTISTAGE CENTRIFUGAL PUMPS

CONSTRUCTION FEATURES

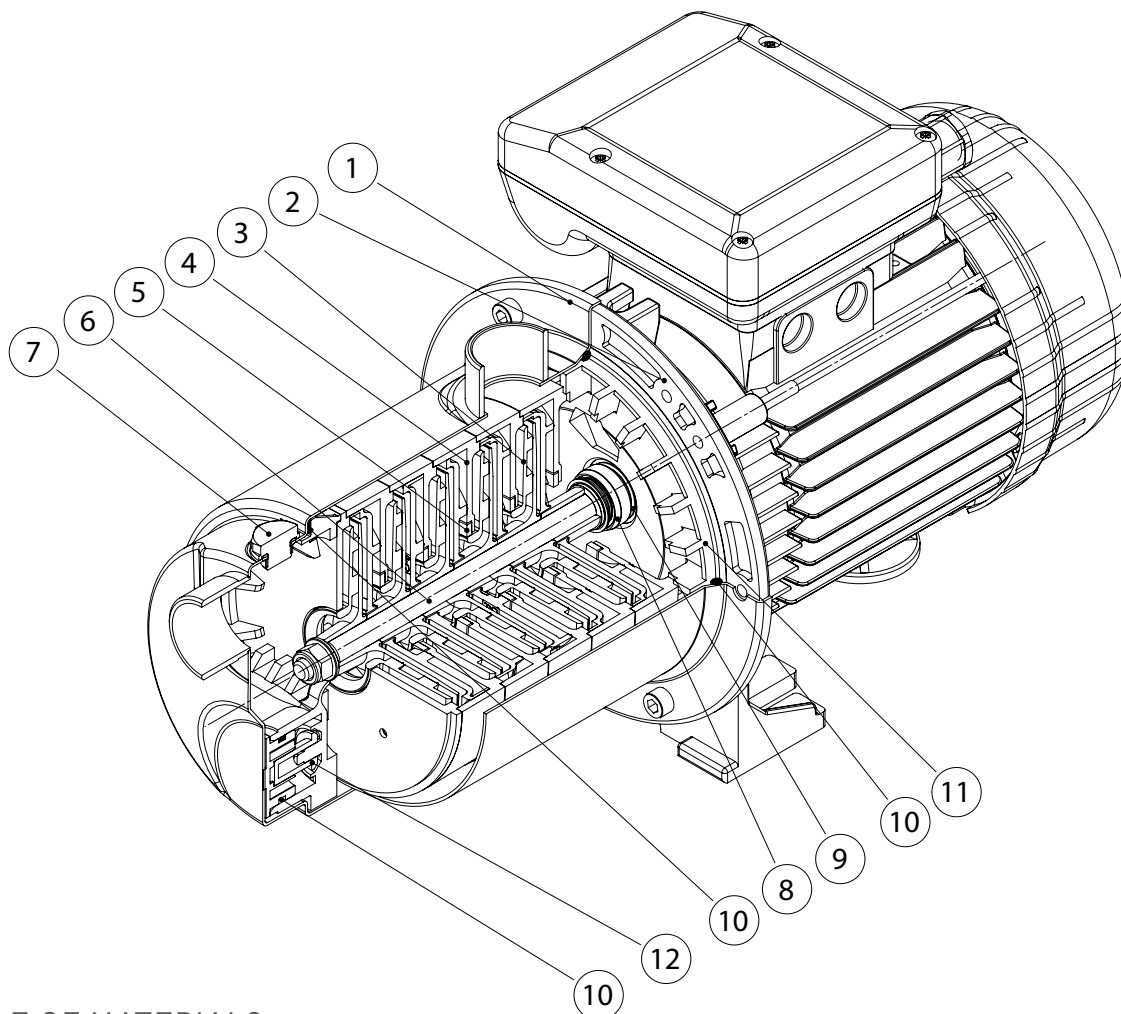


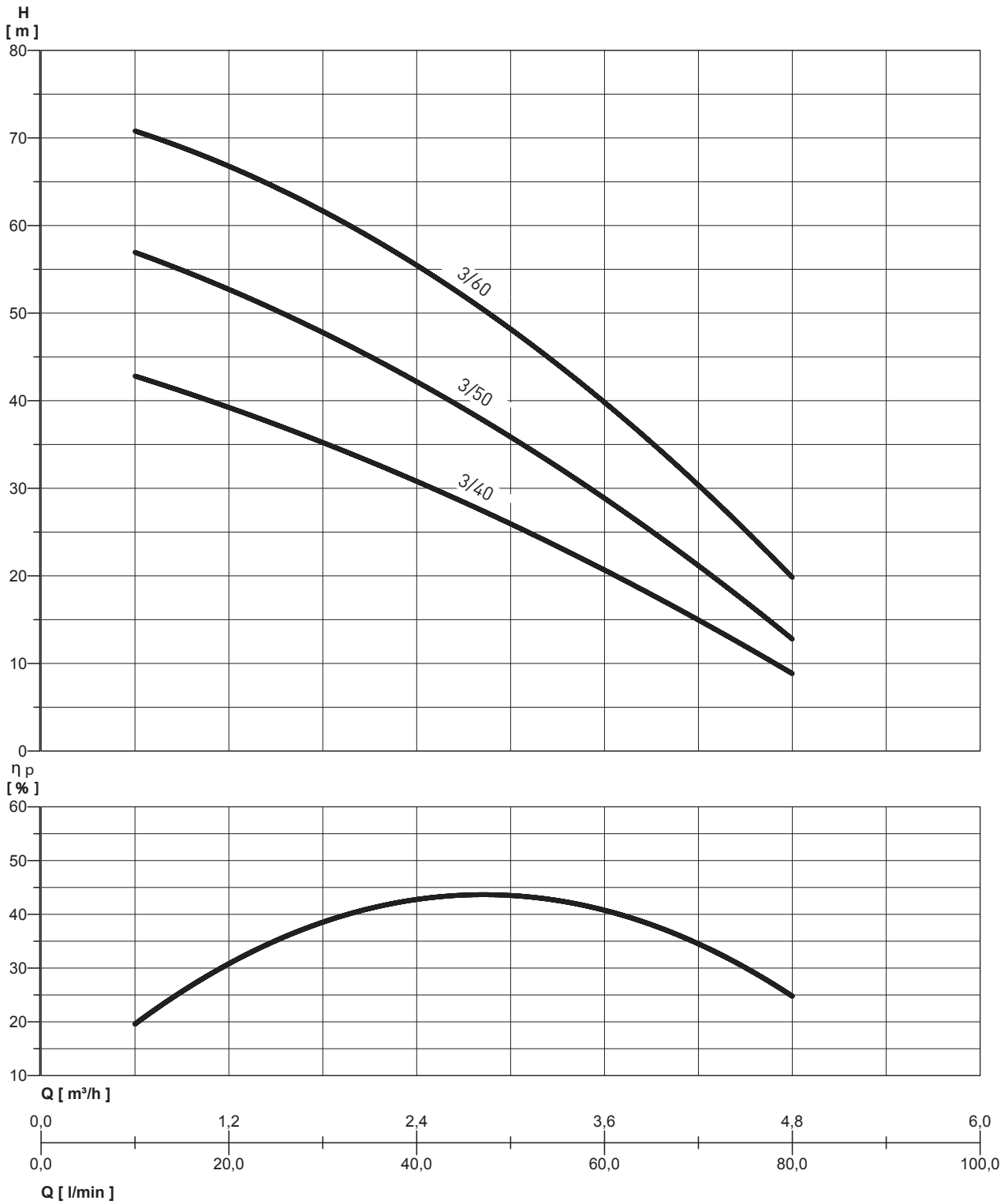
TABLE OF MATERIALS

Ref.	Component	Material
1	Pump body	Stainless steel Europe: EN10088-1 X5CrNi18-10 (1.4301) USA: AISI 304
2	Motor casing	Die-cast aluminium
3	Impeller	PPO reinforced with fibreglass
4	Diffuser	PPO reinforced with fibreglass
5	Wear ring	PTFE
6	Shaft (hydraulic part)	Stainless steel Europe: EN10088-1 X5CrNi18-10 (1.4301) USA: AISI 304
7	Inlet / outlet caps	Stainless steel Europe: EN10088-1 X8CrNiS18-9 (1.4305) USA: AISI 303
8	Mechanical seal	Carbon graphite / NBR / SS Europe: EN10088-1 X5CrNi18-10 (1.4301) USA: AISI 304
9	Counterface	Ceramic / NBR
10	Gaskets	NBR 70 Shore A
11	Seal holder plate	PPO reinforced with fibreglass
12	Priming valve	PPO reinforced with fibreglass

MULTI EVO-A 3

SELF-PRIMING MULTISTAGE CENTRIFUGAL PUMPS

HYDRAULIC PERFORMANCE



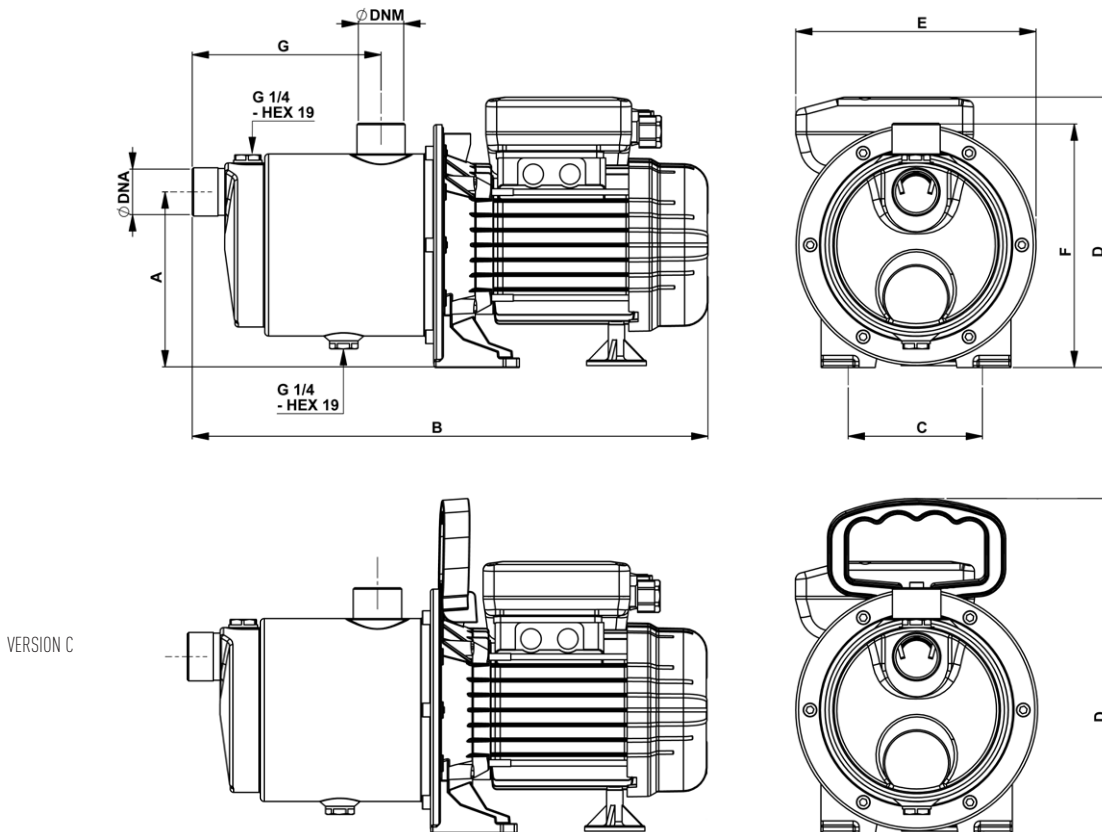
MULTI EVO-A 3

SELF-PRIMING MULTISTAGE CENTRIFUGAL PUMPS

PERFORMANCE TABLE

MODEL	Nominal power (P2)		Absorbed power (P1)		VOLT. (V)	In (A)	µF	0	total head in water column metres							
	HP	kW	HP	kW					l/min	10	20	30	40	50	60	80
									m ³ /h	0,6	1,2	1,8	2,4	3	3,6	4,8
MULTI EVO-A 3-40 M	0,68	0,51	1,1	0,8	1~230	3,7	12,5									
MULTI EVO-A 3-40 M-C*	0,68	0,51	1,1	0,8	1~230	3,7	12,5		42,5	39,5	35,5	31	25,5	20,5	9	
MULTI EVO-A 3-40 T	0,71	0,53	1,05	0,78	3~230/400	2,7 / 1,55	--									
MULTI EVO-A 3-50 M	0,94	0,7	1,34	1	1~230	4,4	16		56,5	53	48,5	42	35,5	28,6	13	
MULTI EVO-A 3-50 T	0,94	0,7	1,34	1	3~230/400	3,3 / 1,9	--									
MULTI EVO-A 3-60 M	1,2	0,9	1,68	1,25	1~230	5,7	20		70,5	67	62	55,5	48	39,5	20	
MULTI EVO-A 3-60 T	1,1	0,82	1,57	1,17	3~230/400	3,5 - 2	--									

* Version with cable, handle and schuko plug.



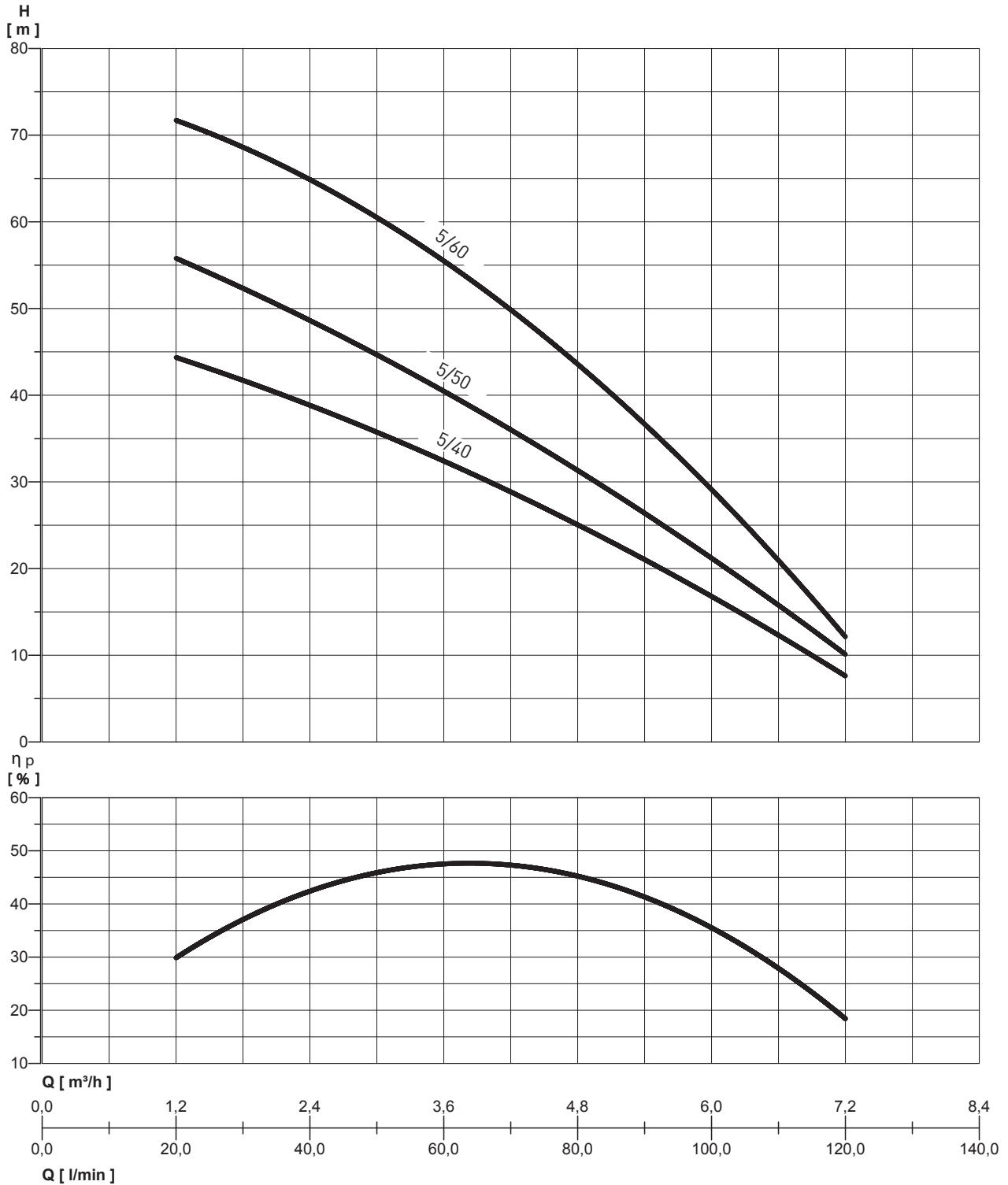
OVERALL DIMENSIONS AND WEIGHTS

MODEL	Dimensions mm.									WEIGHTS (Kg)
	A	B	C	D	E	F	G	DNA	DNM	
MULTI EVO-A 3-40 M	129	380	100	199	177	180	139	1"	1"	7,3
MULTI EVO-A 3-40 T	129	380	100	199	177	180	139	1"	1"	7,3
MULTI EVO-A 3-40 M-C*	129	380	100	245	177	180	139	1"	1"	7,6
MULTI EVO-A 3-50 M	129	422	100	207	177	180	162	1"	1"	9,3
MULTI EVO-A 3-50 T	129	422	100	207	177	180	162	1"	1"	9,3
MULTI EVO-A 3-60 M	129	422	100	207	177	180	162	1"	1"	10,8
MULTI EVO-A 3-60 T	129	422	100	207	177	180	162	1"	1"	10,8

MULTI EVO-A 5

SELF-PRIMING MULTISTAGE CENTRIFUGAL PUMPS

HYDRAULIC PERFORMANCE



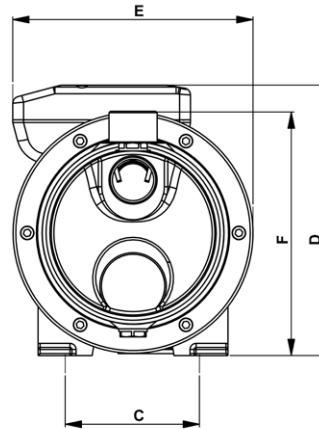
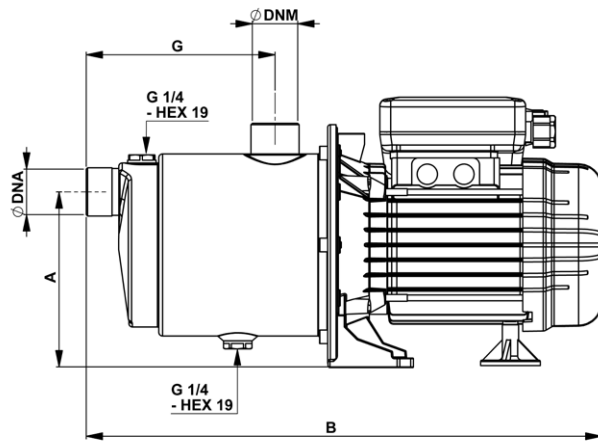
MULTI EVO-A 5

SELF-PRIMING MULTISTAGE CENTRIFUGAL PUMPS

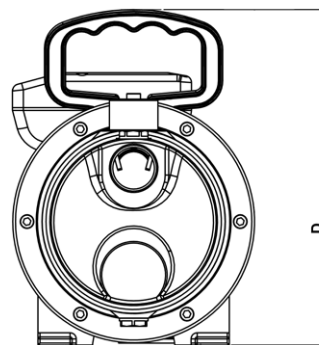
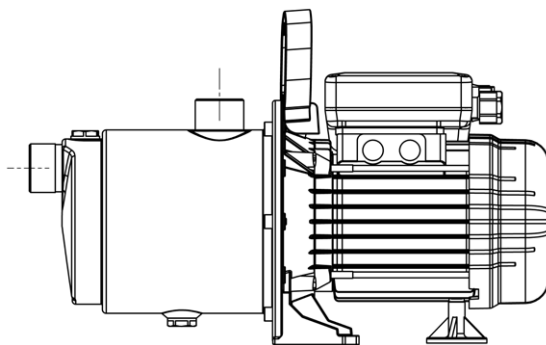
PERFORMANCE TABLE

MODEL	Nominal power (P2)		Absorbed power (P1)		VOLT. (V)	In (A)	µF	Q	total head in water column metres								
	HP	kW	HP	kW					20	30	40	50	60	80	100	120	
									l/min	20	30	40	50	60	80	100	120
									m ³ /h	1,2	1,8	2,4	3	3,6	4,8	6	7,2
MULTI EVO-A 5-40 M	1	0,75	1,5	1,1	1~230	4,7	16			44,5	41,5	39	35,5	32,5	25	17	7,5
MULTI EVO-A 5-40 T	1	0,75	1,5	1,1	3~230/400	3,4 / 2	--										
MULTI EVO-A 5-50 M	1,27	0,95	1,8	1,35	1~230	6,2	20										
MULTI EVO-A 5-50 M-C*	1,27	0,95	1,8	1,35	1~230	6,2	20										
MULTI EVO-A 5-50 T	1,2	0,9	1,68	1,25	3~230/400	3,7 / 2,1	--										
MULTI EVO-A 5-60 M	1,6	1,2	2,2	1,65	1~230	7,5	31,5										
MULTI EVO-A 5-60 T	1,6	1,2	2,1	1,57	3~230/400	5,3 / 3,1	--										

* Version with cable, handle and schuko plug.



VERSION C



OVERALL DIMENSIONS AND WEIGHTS

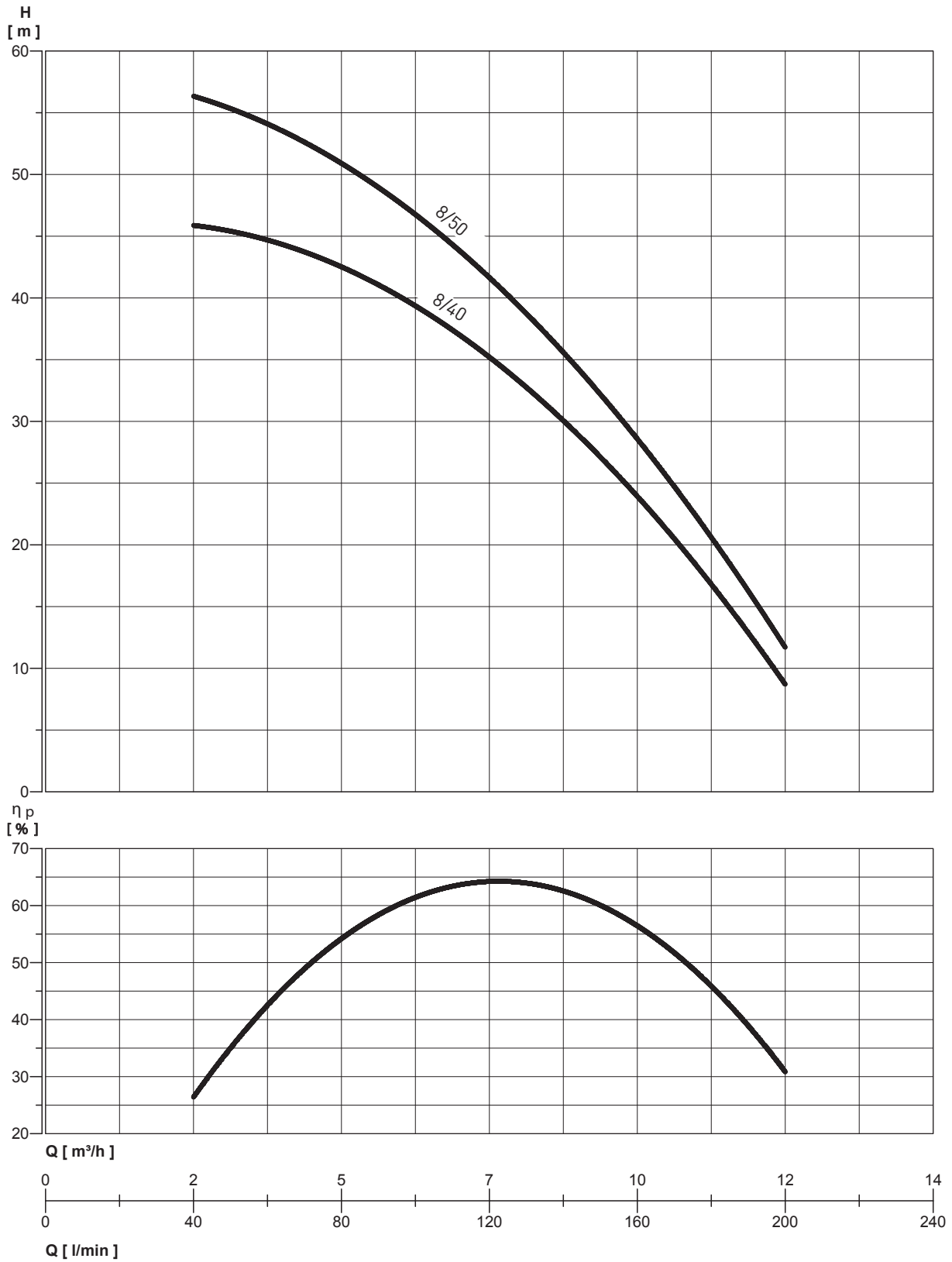
MODEL	Dimensions mm.										WEIGHTS (Kg)
	A	B	C	D	E	F	G	DNA	DNM		
MULTI EVO-A 5-40 M	129	400	100	207	177	180	139	1"	1"	9	
MULTI EVO-A 5-40 T	129	400	100	207	177	180	139	1"	1"	9	
MULTI EVO-A 5-50 M	129	422	100	207	177	180	162	1"	1"	10,6	
MULTI EVO-A 5-50 T	129	422	100	207	177	180	162	1"	1"	10,6	
MULTI EVO-A 5-50 M-C*	129	422	100	245	177	180	162	1"	1"	11	
MULTI EVO-A 5-60 M	129	457	100	215	203	180	162	1"	1"	13,5	
MULTI EVO-A 5-60 T	129	457	100	215	177	180	162	1"	1"	13,5	

* Version with cable, handle and schuko plug.

MULTI EVO-A 8

SELF-PRIMING MULTISTAGE CENTRIFUGAL PUMPS

HYDRAULIC PERFORMANCE

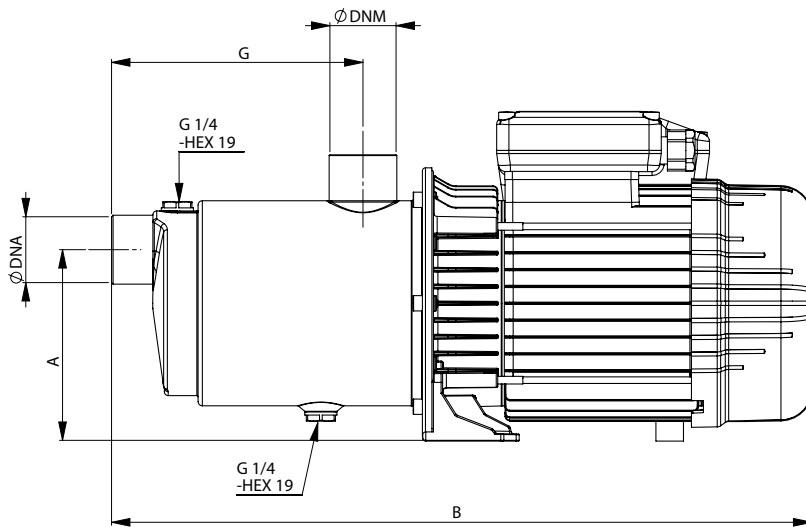


MULTI EVO-A 8

SELF-PRIMING MULTISTAGE CENTRIFUGAL PUMPS

PERFORMANCE TABLE

MODEL	Nominal power (P2)		Absorbed power (P1)		VOLT. (V)	In (A)	µF	Q	total head in water column metres											
	HP	kW	HP	kW					l/min	40	50	60	80	100	120	140	160	180	200	
									m ³ /h	2,4	3	3,6	4,8	6	7,2	8,4	9,6	10,8	12	
MULTI EVO-A 8-40 M	1,6	1,2	2,23	1,66	1~230	7,7	31,5													
MULTI EVO-A 8-40 T	1,6	1,18	2	1,5	3~230/400	5-2,95	--		46	46	45	42	40	36	30	24	17	9		
MULTI EVO-A 8-50 M	1,9	1,4	2,7	2	1~230	9	35													
MULTI EVO-A 8-50 T	1,9	1,4	2,6	1,95	3~230/400	6,7-4	--		56,5	55	54	51	47	42	36	28	21	12		



OVERALL DIMENSIONS AND WEIGHTS

MODEL	Dimensions mm.									WEIGHTS (Kg)
	A	B	C	D	E	F	G	DNA	DNM	
MULTI EVO-A 8-40 M	125	457	100	215	203	187	164	1" 1/4	1" 1/4	13,5
MULTI EVO-A 8-40 T	125	457	100	215	177	187	164	1" 1/4	1" 1/4	13,5
MULTI EVO-A 8-50 M	125	457	100	215	203	187	164	1" 1/4	1" 1/4	14,5
MULTI EVO-A 8-50 T	125	457	100	215	177	187	164	1" 1/4	1" 1/4	14,5