

Receiver

From

Company
Reference
Address
Phone
Fax
E-mail

Item n° :

101110014

Customer pos. no.:

Model :

KPS 30/16 T

Pump data

Impeller size :

Pressure rating : 0,6 MPa

Min. fluid temperature : -10 °C

Max. fluid temperature : 50 °C

Max. Ambient temperature : 40 °C

Requested data

Flow :

Head :

Fluid : Water

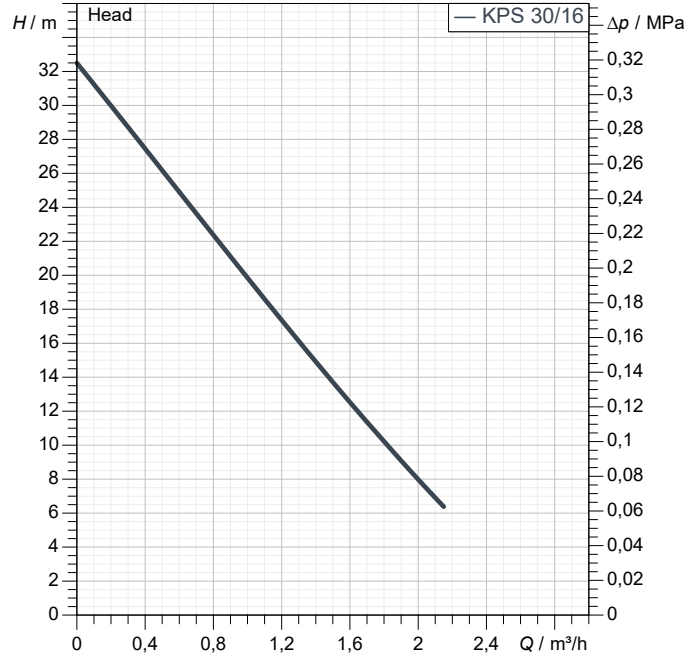
Fluid Temperature : 20 °C

Density : 998,3 kg/m³

Kinematic viscosity : 1,005 mm²/s

Vapor pressure : 0,00 MPa

Curve tolerance according to ISO 9906



Hydraulic data (duty point)

Flow :

Head :

Materials

Pump body Cast iron GG20/GJL200 UNI EN 1561

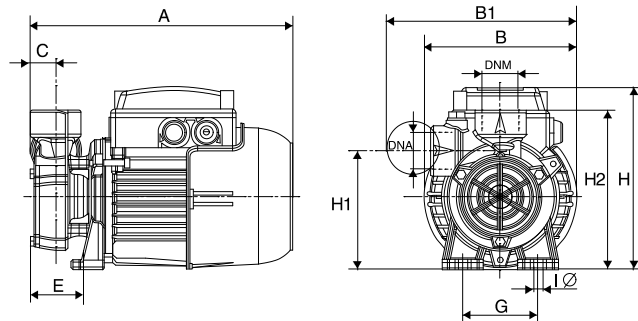
Impeller Brass P Cu Zn40 Pb2 UNI 5705/65

Motor shaft AISI 416 X12 CrS 13 UNI 6900/71

O-Ring NBR

Mechanical seal Carbon/Ceramic

Cover Brass P Cu Zn40 Pb2 UNI 5705/65



Weight : 5,3 kg

Motor data

Motor brand : DAB

Nominal power P2 : 0,37 kW

Rated speed : 2.800 1/min

Rated voltage : 3~ 230 V 50 Hz

Nominal current : 1,4 A

Degree of protection : IP 44

Dimensions in mm

A	228
B	132
B1	165
C	22
DNA	1" G
DNM	1" G
E	46
G	65
H	158
H1	103
H2	138
I Ø	8

Pump connection

Suction side : 1" G / 0,6 MPa

Discharge side : 1" G / 0,6 MPa



PERFORMANCE CURVES

2023-03-17

Page 2 / 3

DAB PUMPS S.p.A.
Via Marco Polo, 14 - 35035 Mestrino (PD), Italy
Tel. +39 049 5125000 - Fax +39 049 5125950
www.dabpumps.com

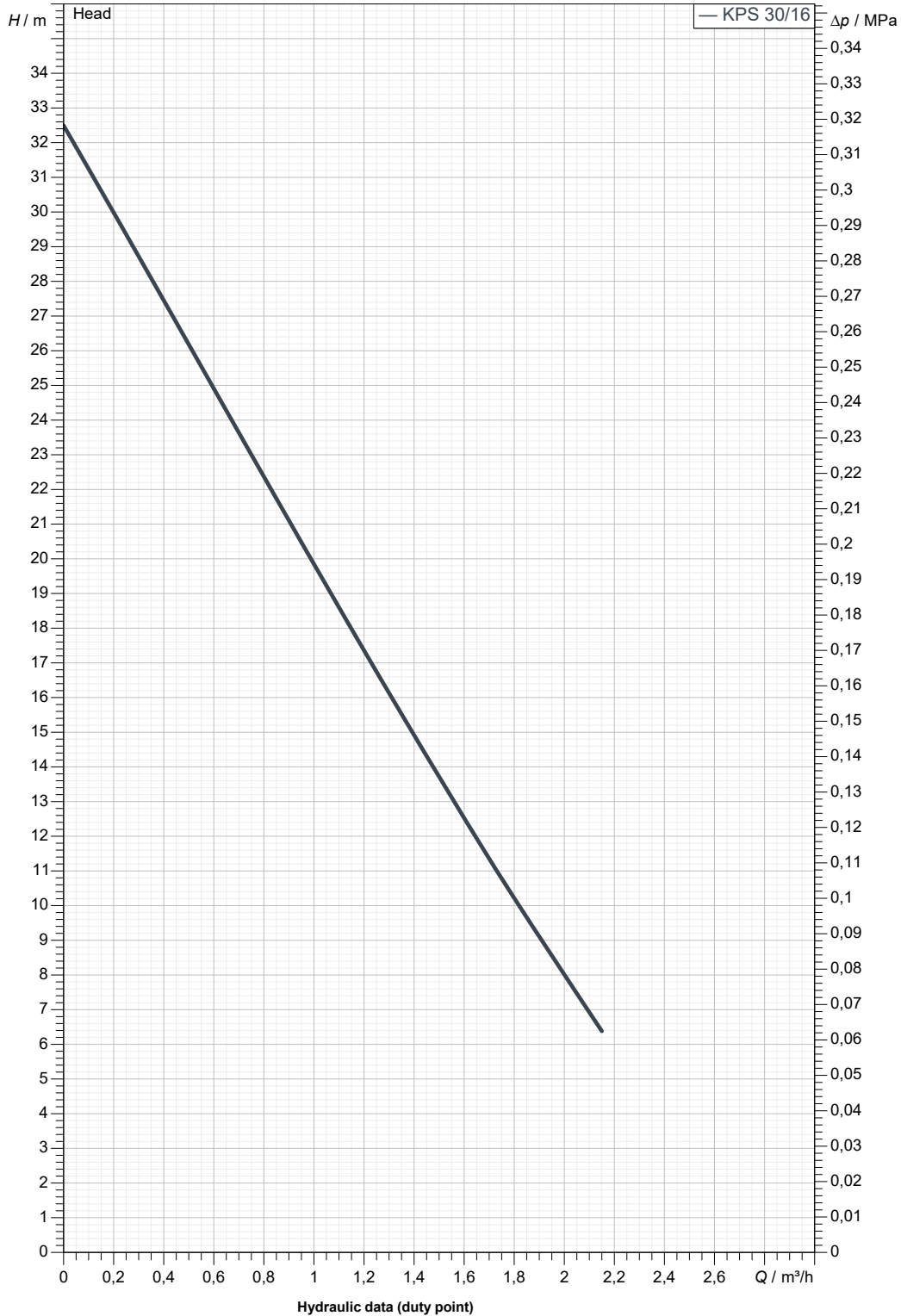
Receiver

From

Company
Reference
Address
Phone
Fax
E-mail

KPS 30/16 T

Curve tolerance according to ISO 9906



Hydraulic data (duty point)

Suction side :
1" G
0,6 MPa

Discharge side :
1" G
0,6 MPa

Flow :

Head :

Rated speed :
2.800 1/min

MAIN_PROJECT_TITLE

BUSINESS_PROCESS_ID

OWNER_

ISSUE_DATE
2023-03-17



DIMENSIONAL DRAWING

2023-03-17

Page 3 / 3

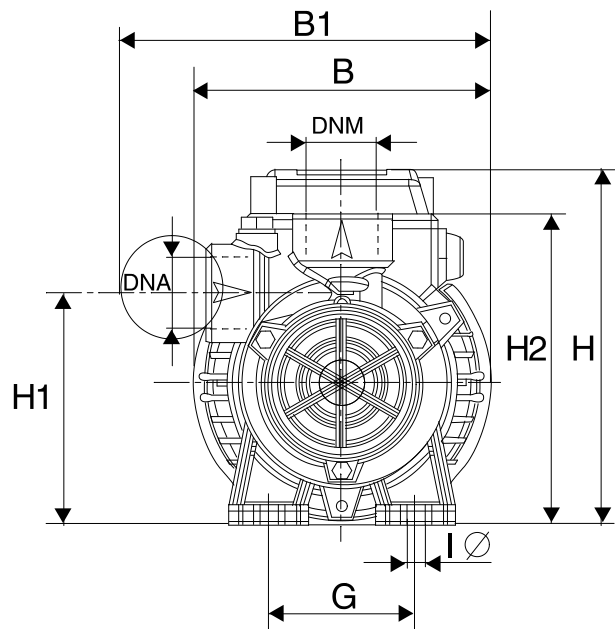
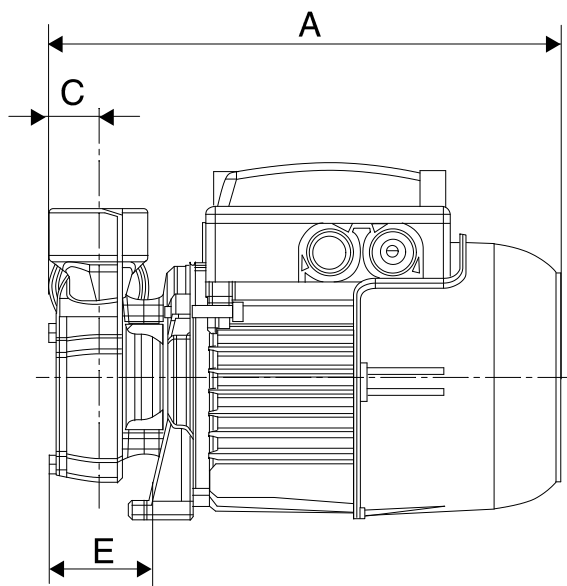
DAB PUMPS S.p.A.
Via Marco Polo, 14 - 35035 Mestrino (PD), Italy
Tel. +39 049 5125000 - Fax +39 049 5125950
www.dabpumps.com

Receiver

From

Company
Reference
Address
Phone
Fax
E-mail

KPS 30/16 T



Dimensions in mm

Pump connection

1	A	228	1 Ø	8		
2	B	132				Suction
3	B1	165				1" G
4	C	22				0,6 MPa
5	DNA	1" G				Discharge
6	DNM	1" G				1" G
7	E	46				0,6 MPa
8	G	65				
9	H	158				
10	H1	103				
11	H2	138				

MAIN_PROJECT_TITLE

BUSINESS_PROCESS_ID

OWNER

ISSUE_DATE

2023-03-17