

Customer	Date	1/15/2019
Contact	Project	
Phone number	Project no.	
Email		

5SV02T003M

Operating data

Pump type	Single head pump	Fluid	Water
No. of pumps / Reserve	1 / 0	Operating temperature t A	°C 4
Nominal flow	m ³ /h 0	pH-value at t A	7
Nominal head	m 0	Density at t A	kg/m ³ 1000
Static head	m 0	Kin. viscosity at t A	mm ² /s 1.569
Inlet pressure	kPa 0	Vapor pressure at t A	kPa 100
Environmental temperature	°C 20	Solids	0
Available system NPSH	m 0	Altitude	m 0

Pump data

Make	Lowara	Nominal	m ³ /h ()
Speed	rpm 2900	Flow Max-	m ³ /h 8.5
Number of stages	2	Min-	m ³ /h
Max. casing pressure	kPa	Nominal	m
Max. working pressure	kPa 145.6	Head at Qmax	m 5.6
Head H(Q=0)	m 15	at Qmin	m 14.8
Weight	kg 13	Shaft power	kW ()
	Max. mm 76	Max. shaft power	kW .3
Impeller R designed	mm 76	Efficiency	%
	Min. mm 76	NPSH 3%	m

Pump Materials

Pump body	Stainless steel / AISI 304
IMPELLER	Stainless steel / AISI 304
DIFFUSER	Stainless steel / AISI 304
Outer sleeve	Stainless steel / AISI 304
SHAFT	Stainless steel / AISI 304
ADAPTER	Cast iron
Base	Aluminium
COUPLING	Aluminium
SEAL HOUSING	Stainless steel / AISI 304
Coupling protection	Stainless steel / AISI 304
Shaft sleeve and bushing	Tungsten carbide
Fill / drain plugs	Stainless steel / AISI 304
Tie rods	Galvanized steel
WEAR RING	Technopolymer PPS

Shaft Seal

e-SV Mechanical seal	Roten
e-SV - Uniten (-30 / +120 °C)	
1 - Rotating part	Silicon Carbide
2 - Stationary part	Resin impregnated carbon
3 - Elastomers	EPDM
4 - Springs	AISI 316
5 - Other components	AISI 316

Motor data

Manufacturer	Lowara	Electric voltage	230 V	Speed	2745 rpm	Insulation class	155 (F)
Specific design	Single phase surface motor (e-SV)			Frame size	71R	Colour	RAL 5010
Type	SM71RB14/104 (220-240V)						
Rated power	0.37 kW	Degree of protection IP55					
Electric current	2.85 A						

Remarks:

Customer	Date	1/15/2019
Contact	Project	
Phone number	Project no.	
Email		

5SV02T003M

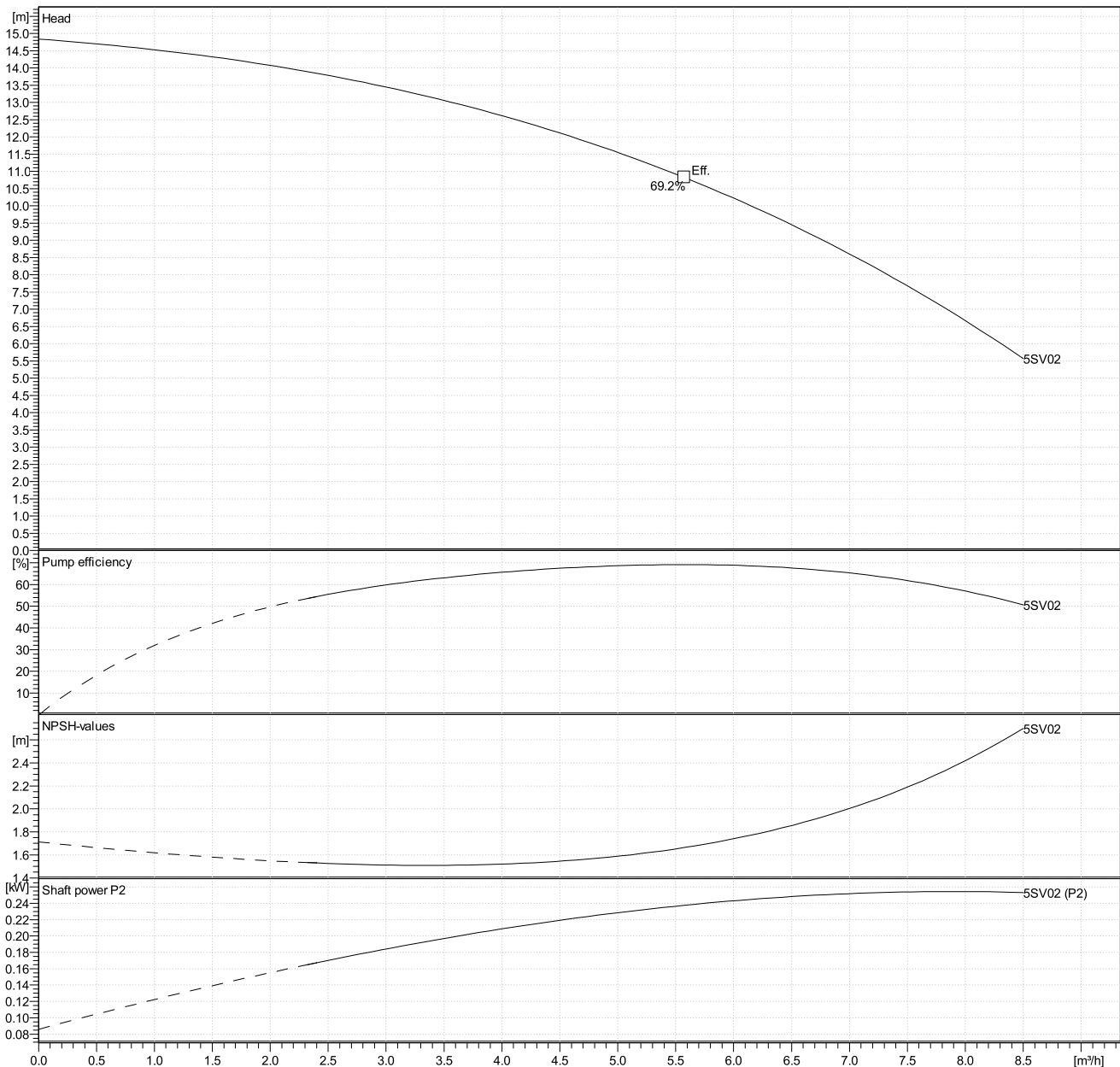
Hydraulic data

Operating Data Specification		Hydraulic data (duty point)		Impeller design	
Flow	0 m ³ /h	Flow		Impeller R	76 mm
Head	0 m	Head		Frequency	50 Hz
Static head	0 m	MEI >=0,7		Speed	2900 rpm

Power data referred to:

Water [100%] ; 4°C; 1000kg/m³; 1.57mm²/s

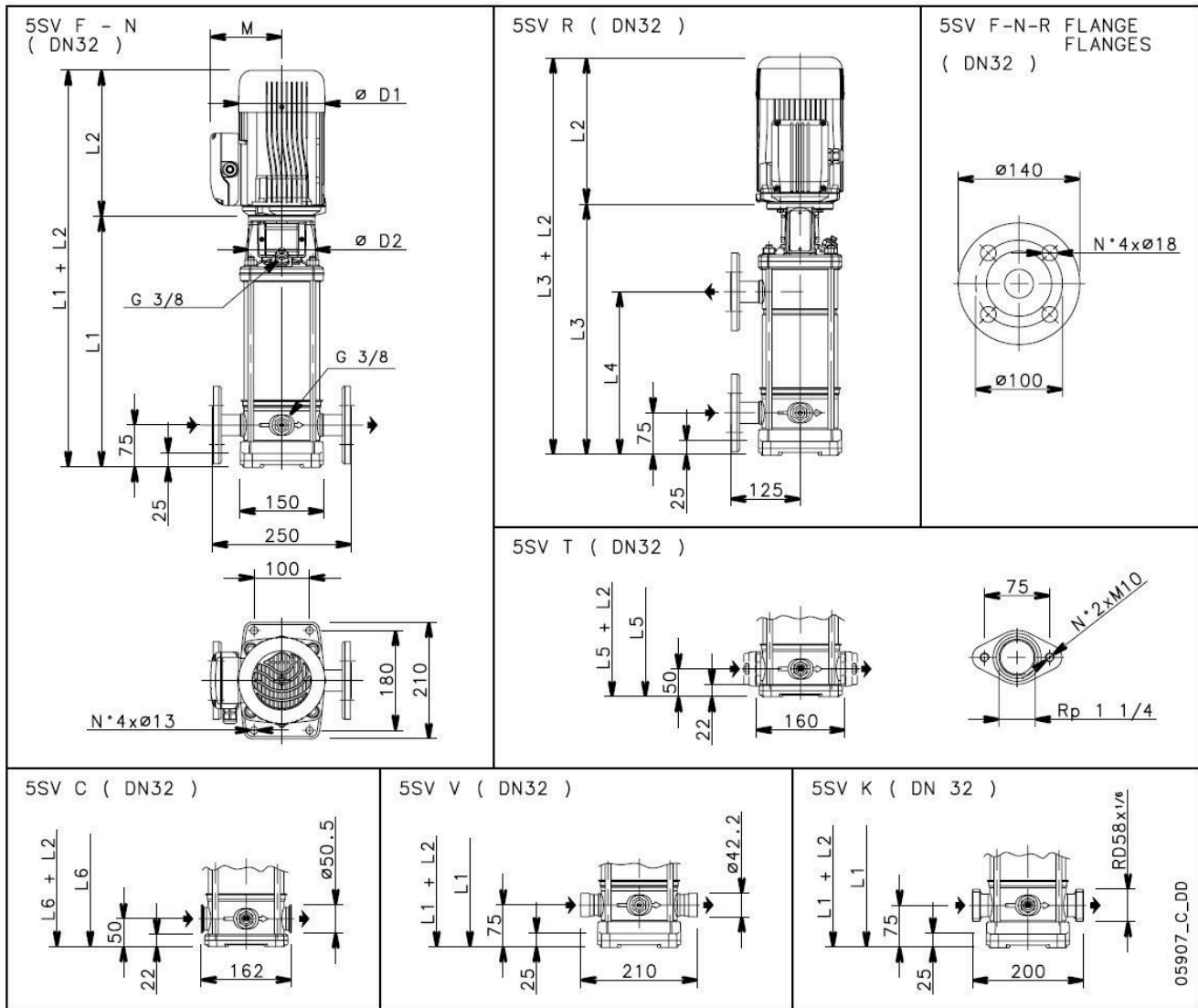
Performance according to ISO 9906:2012 – Grade 3B



Customer	Date	1/15/2019
Contact	Project	
Phone number	Project no.	
Email		

5SV02T003M

Drawing



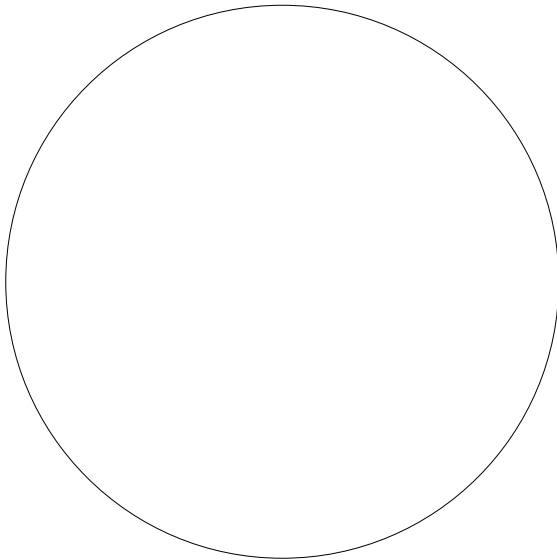
Dimensions mm

D1	120						Weight	
D2	105						13.2	kg
L1	268							
L2	209							
L5	243							
L6	243							
M	111							

5SV02T003M

Total lifetime	15	Inflation rate (rate of price increases)	2 %
Annual operating time	5600	Interest rate (for investment)	3 %
Energy cost per kWh	0.00 GBP		
Power input P1			

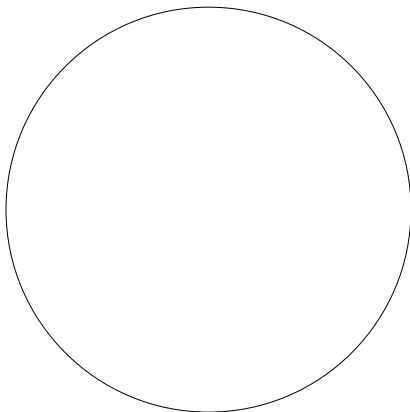
Total costs



GBP

- 0%** **0.00 GBP** Energy
- 0%** **0.00 GBP** Investment costs
- 0%** **0.00 GBP** Installation & commissioning
- 0%** **0.00 GBP** Operating cost
- 0%** **0.00 GBP** Maintenance & repair
- 0%** **0.00 GBP** Downtime
- 0%** **0.00 GBP** Environmental
- 0%** **0.00 GBP** Decommissioning

First year costs



GBP

- 0%** **0.00 GBP** Energy (1st year)
- 0%** **0.00 GBP** Investment costs (1st year)
- 0%** **0.00 GBP** Installation & commissioning (1st year)
- 0%** **0.00 GBP** Operating cost (1st year)
- 0%** **0.00 GBP** Maintenance & repair (1st year)
- 0%** **0.00 GBP** Downtime (1st year)
- 0%** **0.00 GBP** Environmental (1st year)
- 0%** **0.00 GBP** Decommissioning (1st year)