

Customer	Date	1/15/2019
Contact	Project	
Phone number	Project no.	
Email		

5SV14T022M

Operating data

Pump type	Single head pump	Fluid	Water
No. of pumps / Reserve	1 / 0	Operating temperature t A	°C 4
Nominal flow	m ³ /h 0	pH-value at t A	7
Nominal head	m 0	Density at t A	kg/m ³ 1000
Static head	m 0	Kin. viscosity at t A	mm ² /s 1.569
Inlet pressure	kPa 0	Vapor pressure at t A	kPa 100
Environmental temperature	°C 20	Solids	0
Available system NPSH	m 0	Altitude	m 0

Pump data

Make	Lowara	Nominal	m ³ /h ()
Speed	rpm 2900	Flow Max-	m ³ /h 8.5
Number of stages	14	Min-	m ³ /h
Max. casing pressure	kPa	Nominal	m
Max. working pressure	kPa 1036.8	Head at Qmax	m 45.7
Head H(Q=0)	m 110	at Qmin	m 105.7
Weight	kg 33	Shaft power	kW ()
Max. Impeller R	mm 76	Max. shaft power	kW 1.9
designed	mm 76	Efficiency	%
Min.	mm 76	NPSH 3%	m

Pump Materials

Pump body	Stainless steel / AISI 304
IMPELLER	Stainless steel / AISI 304
DIFFUSER	Stainless steel / AISI 304
Outer sleeve	Stainless steel / AISI 304
SHAFT	Stainless steel / AISI 304
ADAPTER	Cast iron
Base	Aluminium
COUPLING	Aluminium
SEAL HOUSING	Stainless steel / AISI 304
Coupling protection	Stainless steel / AISI 304
Shaft sleeve and bushing	Tungsten carbide
Fill / drain plugs	Stainless steel / AISI 304
Tie rods	Galvanized steel
WEAR RING	Technopolymer PPS

Shaft Seal

e-SV Mechanical seal	Roten
e-SV - Uniten (-30 / +120 °C)	
1 - Rotating part	Silicon Carbide
2 - Stationary part	Resin impregnated carbon
3 - Elastomers	EPDM
4 - Springs	AISI 316
5 - Other components	AISI 316

Motor data

Manufacturer	Lowara	Electric voltage	230 V	Speed	2825 rpm	Insulation class	155 (F)
Specific design	Single phase surface motor (e-SV)			Frame size	90	Colour	RAL 5010
Type	PLM90B14/122 (220-240V)						
Rated power	2.2 kW	Degree of protection IP55					
Electric current	11.6 A						

Remarks:

Customer	Date	1/15/2019
Contact	Project	
Phone number	Project no.	
Email		

5SV14T022M

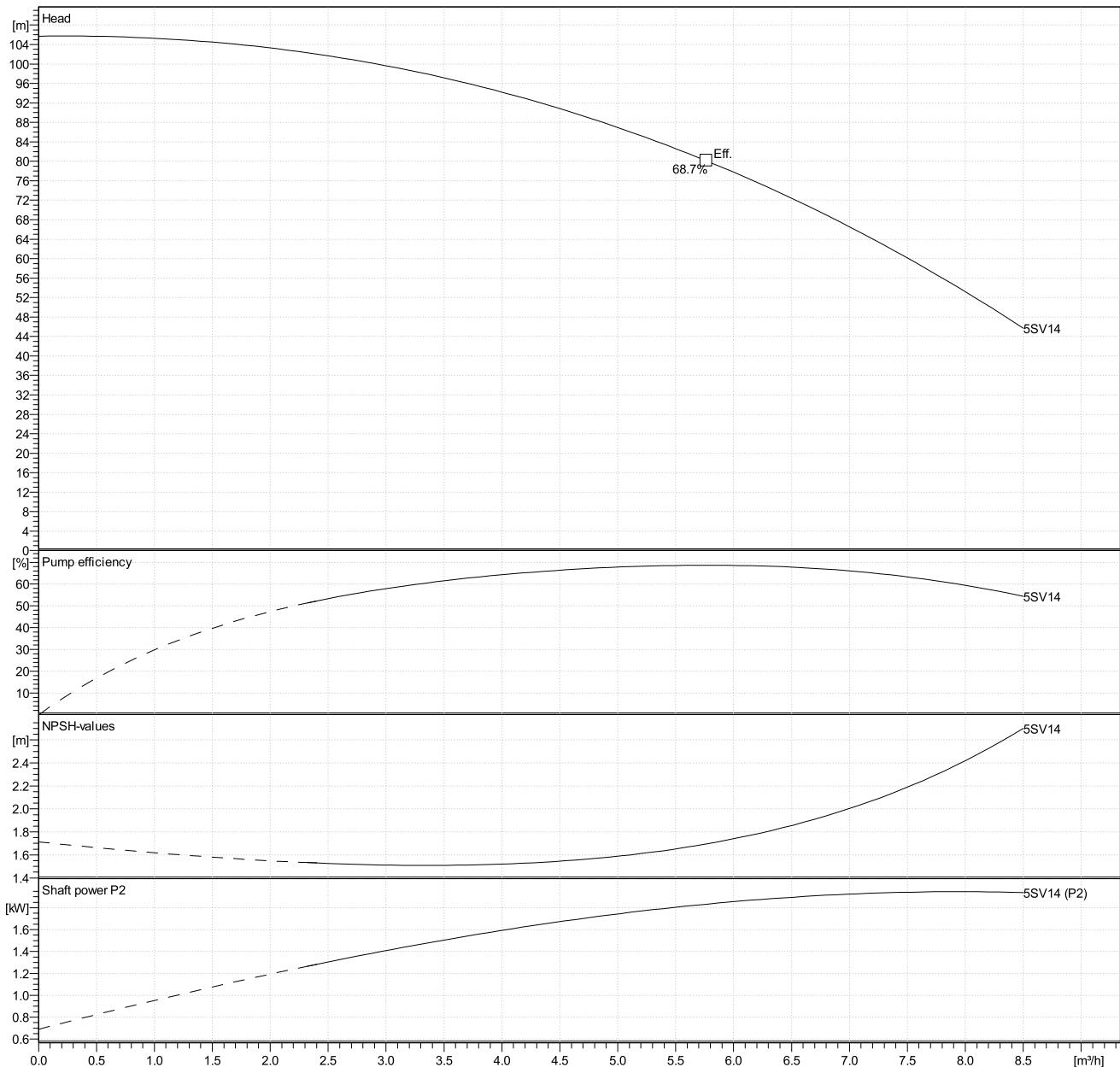
Hydraulic data

Operating Data Specification		Hydraulic data (duty point)		Impeller design	
Flow	0 m ³ /h	Flow		Impeller R	76 mm
Head	0 m	Head		Frequency	50 Hz
Static head	0 m	MEI >=0,7		Speed	2900 rpm

Power data referred to:

Water [100%] ; 4°C; 1000kg/m³; 1.57mm²/s

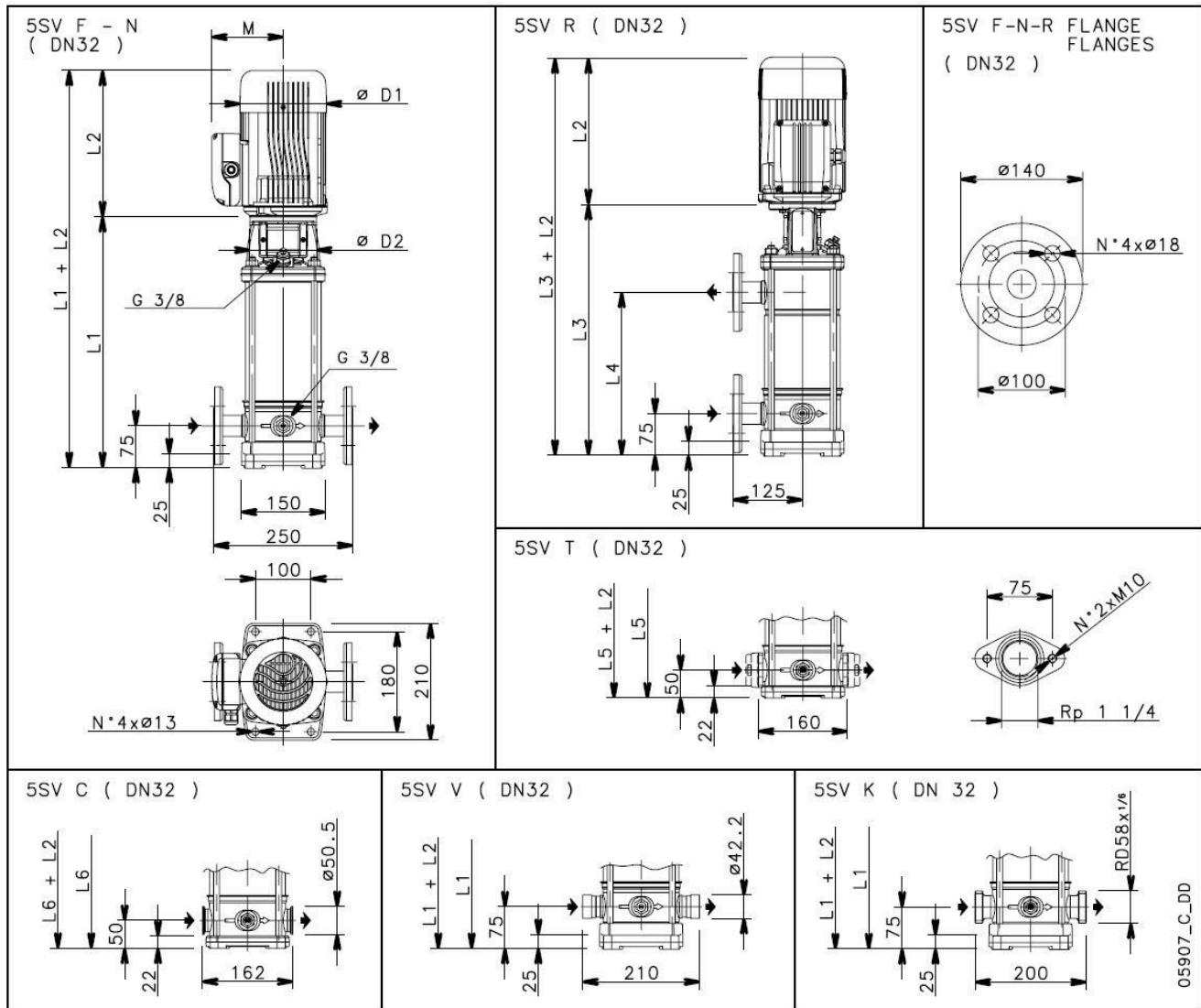
Performance according to ISO 9906:2012 – Grade 3B



Customer	Date	1/15/2019
Contact	Project	
Phone number	Project no.	
Email		

5SV14T022M

Drawing



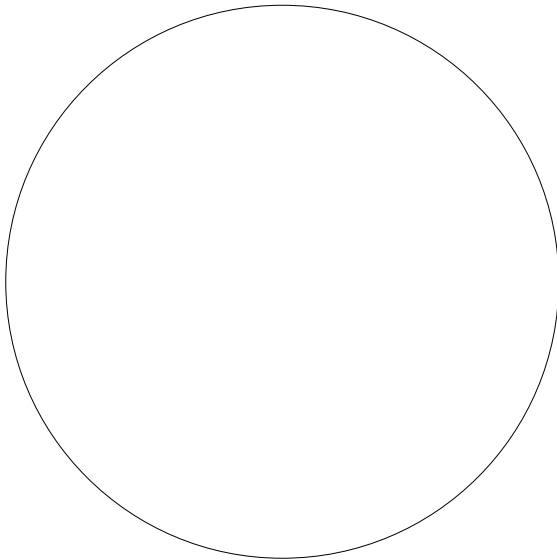
Dimensions mm

D1	174					Weight 33.2 kg
D2	140					
L1	588					
L2	298					
L3	588					
L4	417					
L5	563					
L6	563					
M	151					

5SV14T022M

Total lifetime	15	Inflation rate (rate of price increases)	2 %
Annual operating time	5600	Interest rate (for investment)	3 %
Energy cost per kWh	0.00 GBP		
Power input P1			

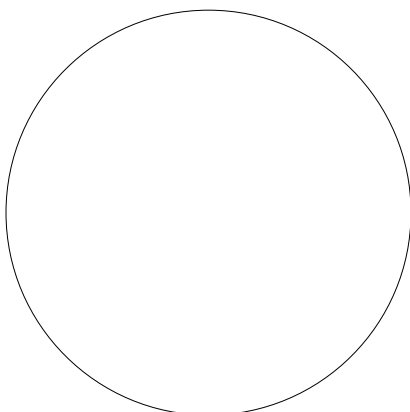
Total costs



GBP

- 0%** **0.00 GBP** Energy
- 0%** **0.00 GBP** Investment costs
- 0%** **0.00 GBP** Installation & commissioning
- 0%** **0.00 GBP** Operating cost
- 0%** **0.00 GBP** Maintenance & repair
- 0%** **0.00 GBP** Downtime
- 0%** **0.00 GBP** Environmental
- 0%** **0.00 GBP** Decommissioning

First year costs



GBP

- 0%** **0.00 GBP** Energy (1st year)
- 0%** **0.00 GBP** Investment costs (1st year)
- 0%** **0.00 GBP** Installation & commissioning (1st year)
- 0%** **0.00 GBP** Operating cost (1st year)
- 0%** **0.00 GBP** Maintenance & repair (1st year)
- 0%** **0.00 GBP** Downtime (1st year)
- 0%** **0.00 GBP** Environmental (1st year)
- 0%** **0.00 GBP** Decommissioning (1st year)