

Receiver
From

 Company
 Reference
 Address
 Phone
 Fax
 E-mail

Item n° : 102110014
Customer pos. no.:
Model :
 K 20/41 T

Pump data

MEI ≥ -

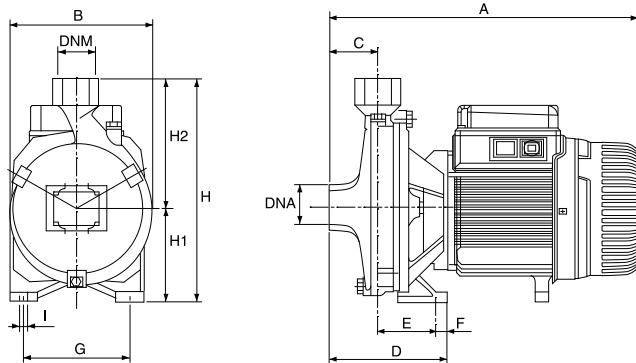
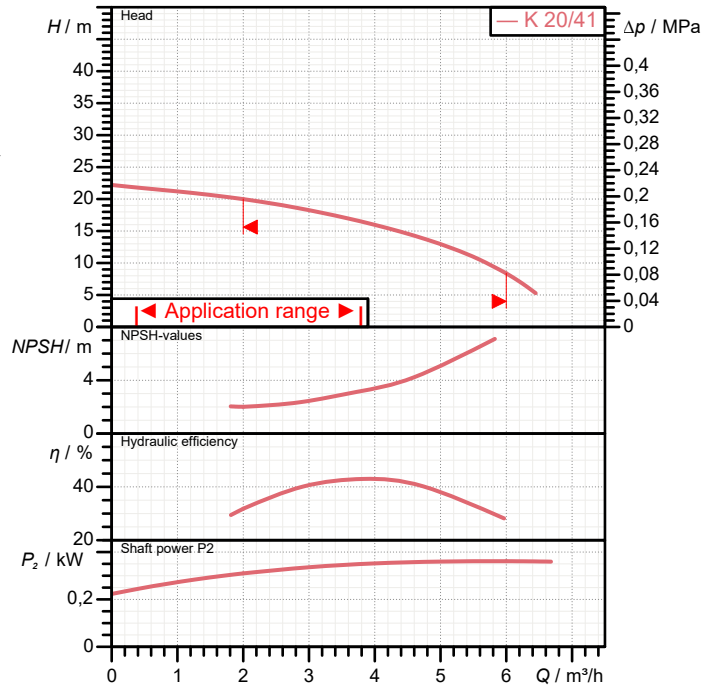
 Pressure rating : 0,6 MPa
 Min. fluid temperature : -10 °C
 Max. fluid temperature : 50 °C
 Max. Ambient temperature : 40 °C

Requested data
Flow :
Head :
 Fluid : Water
 Fluid Temperature : 20 °C
 Density : 998,3 kg/m³
 Kinematic viscosity : 1,005 mm²/s
 Vapor pressure : 0,00 MPa

Hydraulic data (duty point)
Flow :
Head :
 NPSH :
 Shaft power P2 :
 Efficiency :

Materials

 Pump body : Cast iron 200 UNI ISO 185
 Support : Cast iron 200 UNI ISO 185
 Impeller : Technopolymer A
 Mechanical seal : Carbon/Ceramic
 O-Ring : NBR Rubber
 Shaft with rotor : AISI 416 X12 CrS 13 UNI 6900/71

Curve tolerance according to ISO 9906

Weight : 10 kg

Motor data

 Motor brand : DAB
 Nominal power P2 : 0,37 kW
 Rated speed : 2.800 1/min
 Rated voltage : 3~ 230 V 50 Hz
 Nominal current : 2,3 A
 Degree of protection : IP 44

Dimensions in mm

A	300
B	160
C	50
D	116
DNA	1" G-M
DNM	1" G-M
E	50
F	15
G	110
H	205
H1	85
H2	120
I	9

Pump connection

 Suction side : 1" G-M / 0,6 MPa
 Discharge side : 1" G-M / 0,6 MPa

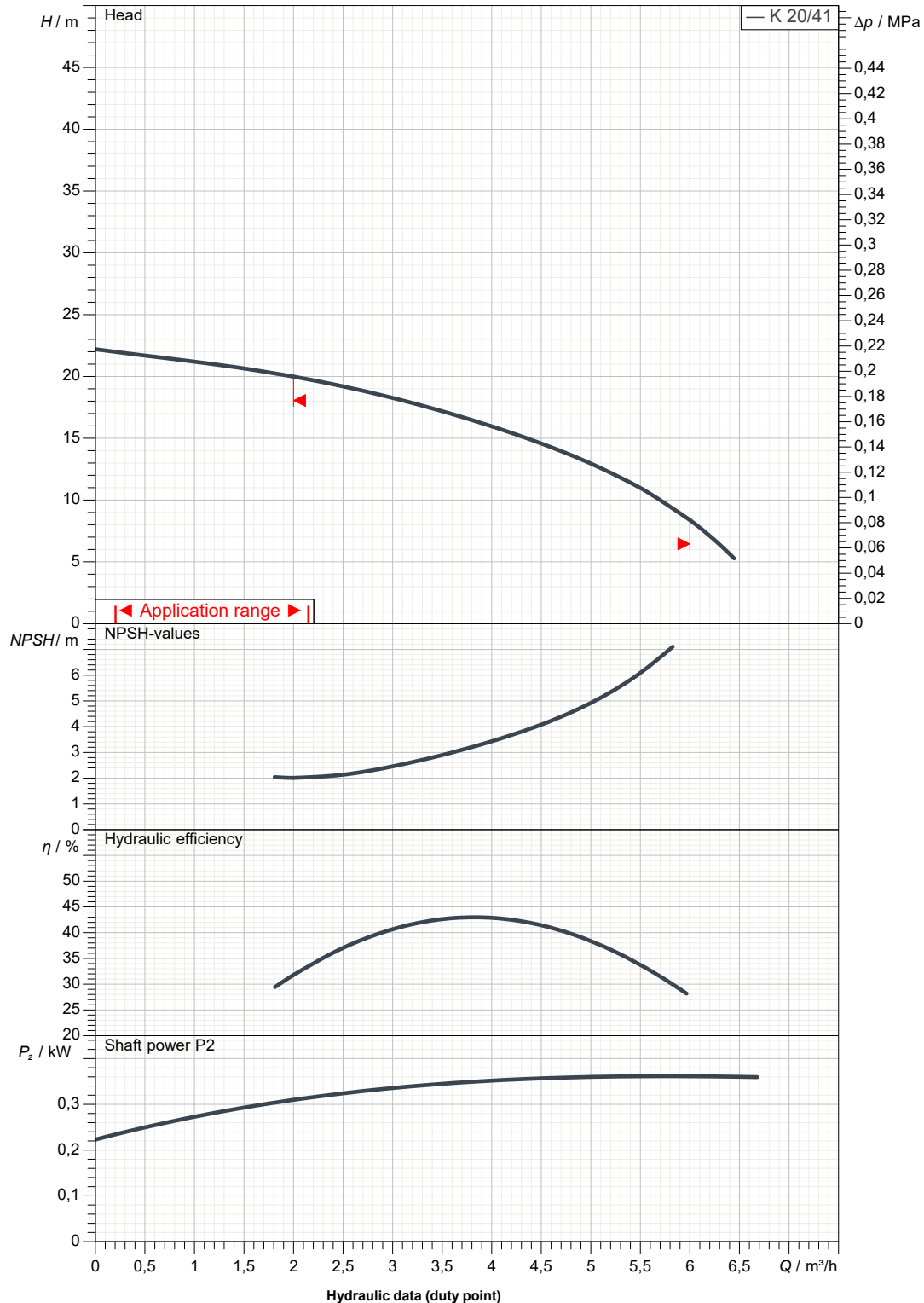
Receiver

From

 Company
 Reference
 Address
 Phone
 Fax
 E-mail

K 20/41 T

Curve tolerance according to ISO 9906


 Suction side :
 1" G-M
 0,6 MPa

 Discharge side :
 1" G-M
 0,6 MPa

Flow :

Head :

 Rated speed :
 2.800 1/min

MAIN_PROJECT_TITLE

BUSINESS_PROCESS_ID

OWNER_

ISSUE_DATE

2023-03-17



DIMENSIONAL DRAWING

2023-03-17

Page 3 / 3

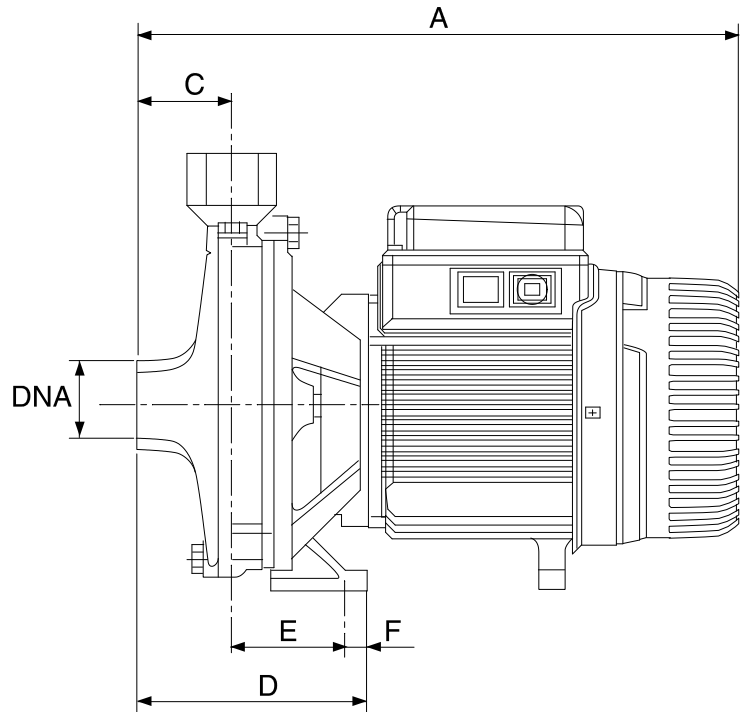
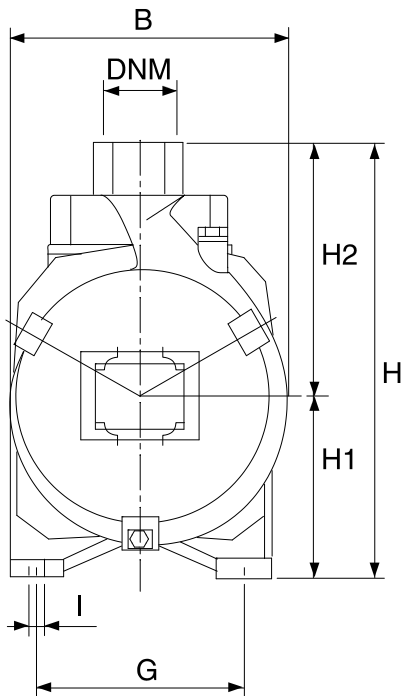
DAB PUMPS S.p.A.
Via Marco Polo, 14 - 35035 Mestrino (PD), Italy
Tel. +39 049 5125000 - Fax +39 049 5125950
www.dabpumps.com

Receiver

From

Company
Reference
Address
Phone
Fax
E-mail

K 20/41 T



Dimensions in mm

Pump connection

1	A	300	H2	120	Suction 1" G-M 0,6 MPa Discharge 1" G-M 0,6 MPa
2	B	160	I	9	
3	C	50			
4	D	116			
5	DNA	1" G-M			
6	DNM	1" G-M			
7	E	50			
8	F	15			
9	G	110			
10	H	205			
11	H1	85			

MAIN_PROJECT_TITLE

BUSINESS_PROCESS_ID

OWNER_

ISSUE_DATE

2023-03-17