

Receiver
From

 Company
 Reference
 Address
 Phone
 Fax
 E-mail

Item n° :
 102110024

Customer pos. no.:
Model :
 K 30/70 M

Pump data

MEI ≥ -

 Pressure rating : 0,6 MPa
 Min. fluid temperature : -10 °C
 Max. fluid temperature : 50 °C
 Max. Ambient temperature : 40 °C

Requested data

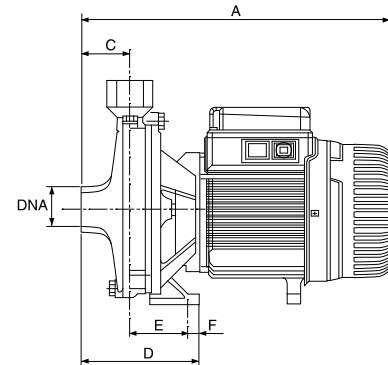
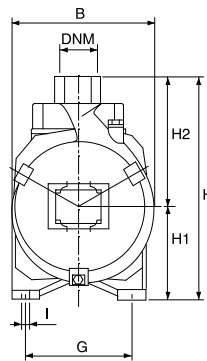
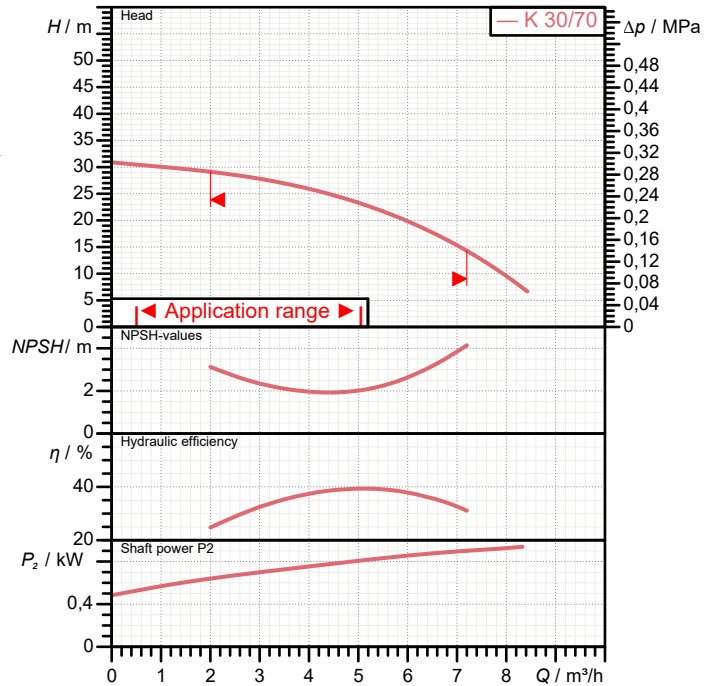
 Flow :
 Head :
 Fluid : Water
 Fluid Temperature : 20 °C
 Density : 998,3 kg/m³
 Kinematic viscosity : 1,005 mm²/s
 Vapor pressure : 0,00 MPa

Hydraulic data (duty point)

 Flow :
 Head :
 NPSH :
 Shaft power P₂ :
 Efficiency :

Materials

 Pump body : Cast iron 200 UNI ISO 185
 Support : Cast iron 200 UNI ISO 185
 Impeller : Technopolymer A
 Mechanical seal : Carbon/Ceramic
 O-Ring : NBR Rubber
 Shaft with rotor : AISI 416 X12 CrS 13 UNI 6900/71

Curve tolerance according to ISO 9906

Weight : 13,9 kg

Motor data

 Motor brand : DAB
 Nominal power P₂ : 0,75 kW
 Rated speed : 2.800 1/min
 Rated voltage : 1~ 220-240 V 50 Hz
 Nominal current : 6 A
 Degree of protection : IP 44

Dimensions in mm

A	330
B	185
C	50
D	108
DNA	1" G-M
DNM	1" G-M
E	58
F	15
G	140
H	235
H1	100
H2	135
I	9

Pump connection

 Suction side : 1" G-M / 0,6 MPa
 Discharge side : 1" G-M / 0,6 MPa

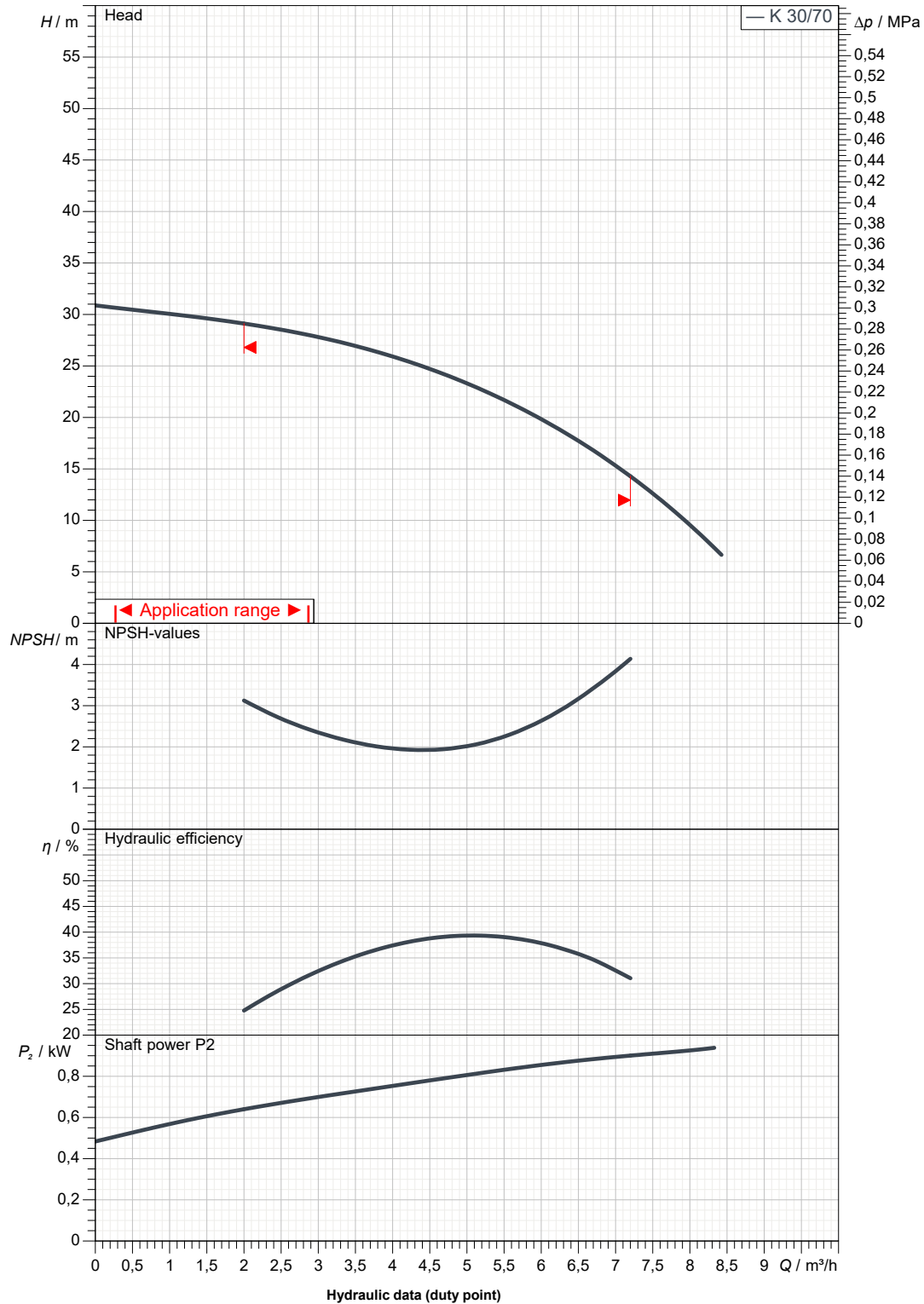
Receiver

From

 Company
 Reference
 Address
 Phone
 Fax
 E-mail

K 30/70 M

Curve tolerance according to ISO 9906


 Suction side :
 1" G-M
 0,6 MPa

 Discharge side :
 1" G-M
 0,6 MPa

Flow :

Head :

 Rated speed :
 2.800 1/min

MAIN_PROJECT_TITLE

BUSINESS_PROCESS_ID

OWNER_

 ISSUE_DATE
 2023-03-17



DIMENSIONAL DRAWING

DAB PUMPS S.p.A.
Via Marco Polo, 14 - 35035 Mestrino (PD), Italy
Tel. +39 049 5125000 - Fax +39 049 5125950
www.dabpumps.com

2023-03-17

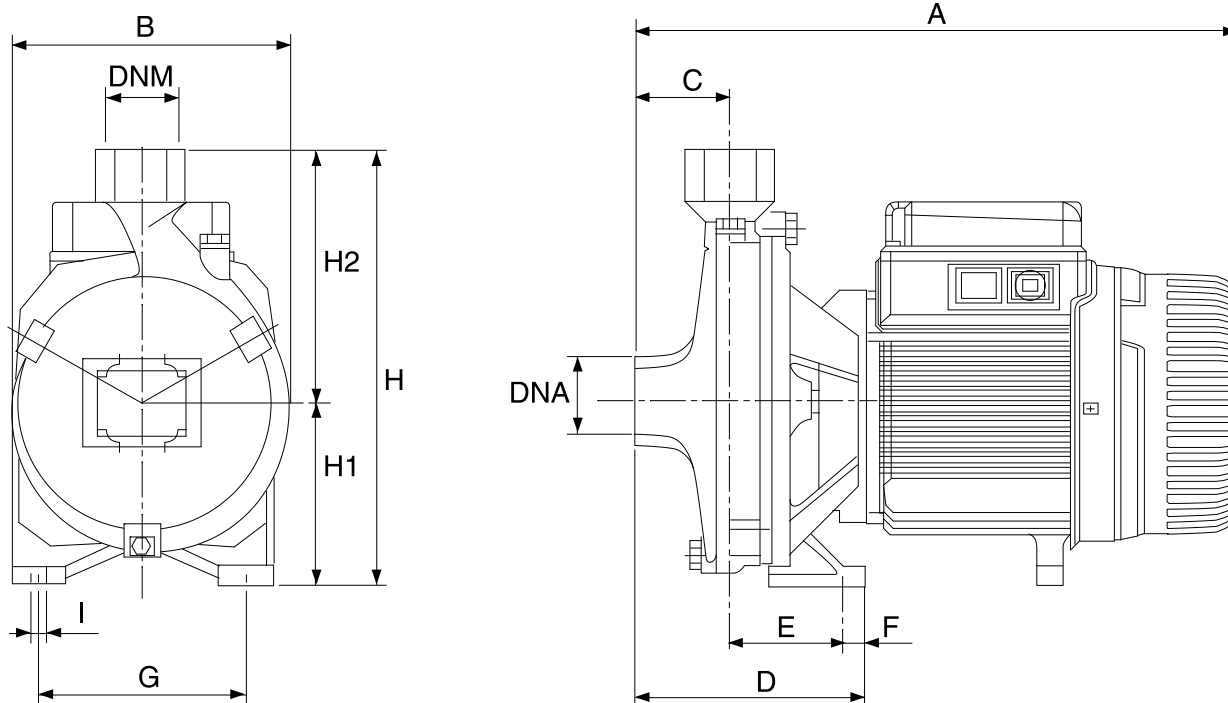
Page 3 / 3

Receiver

From

Company
Reference
Address
Phone
Fax
E-mail

K 30/70 M



Dimensions in mm

Pump connection

1	A	330	H2	135	Suction 1" G-M 0,6 MPa Discharge 1" G-M 0,6 MPa
2	B	185	I	9	
3	C	50			
4	D	108			
5	DNA	1" G-M			
6	DNM	1" G-M			
7	E	58			
8	F	15			
9	G	140			
10	H	235			
11	H1	100			

MAIN_PROJECT_TITLE	BUSINESS_PROCESS_ID	OWNER	ISSUE_DATE 2023-03-17
--------------------	---------------------	-------	---------------------------------