

Receiver
From

 Company
 Reference
 Address
 Phone
 Fax
 E-mail

Item n° : 102110042
Customer pos. no.:
Model :
 K 30/100 M

Pump data

 MEI \geq 0,70

Pressure rating : 0,6 MPa

Min. fluid temperature : -10 °C

Max. fluid temperature : 50 °C

Max. Ambient temperature : 40 °C

Requested data

Flow :

Head :

Fluid : Water

Fluid Temperature : 20 °C

 Density : 998,3 kg/m³

 Kinematic viscosity : 1,005 mm²/s

Vapor pressure : 0,00 MPa

Hydraulic data (duty point)

Flow :

Head :

NPSH :

 Shaft power P₂ :

Efficiency :

Materials

Pump body : Cast iron 200 UNI ISO 185

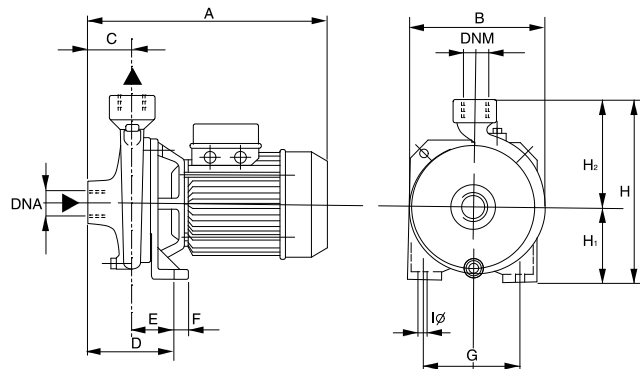
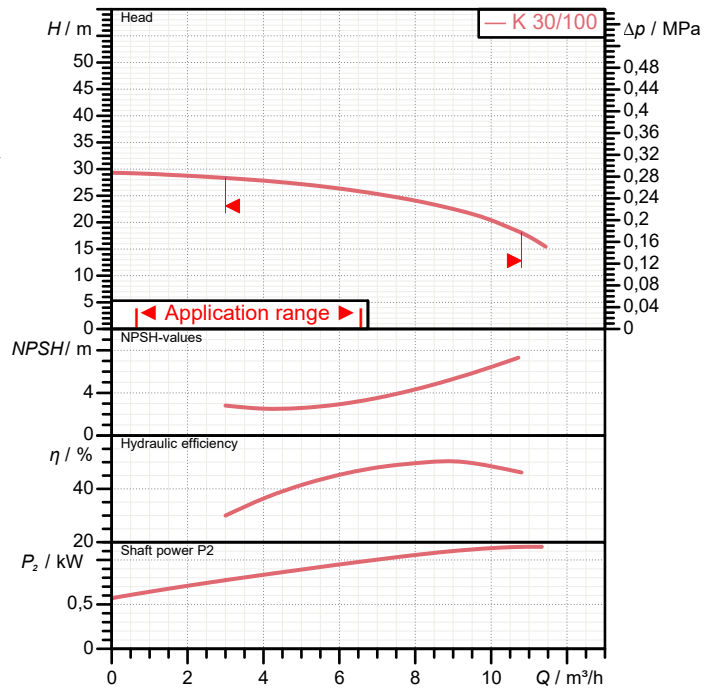
Support : Cast iron 200 UNI ISO 185

Impeller : Technopolymer A

Mechanical seal : Carbon/Ceramic

O-Ring : NBR Rubber

Shaft with rotor : AISI 303 X10 CrNiS 1809 UNI 6900/71

Curve tolerance according to ISO 9906

Weight : 18,5 kg

Motor data

Motor brand : DAB

 Nominal power P₂ : 1,1 kW

Rated speed : 2.800 1/min

Rated voltage : 1~ 220-240 V 50 Hz

Nominal current : 7,1 A

Degree of protection : IP 44

Dimensions in mm

A	333
B	200
C	50
D	114
DNA	1" 1/2 G
DNM	1" G
E	64
F	15
G	140
H	255
H1	105
H2	150
I∅	9

Pump connection

Suction side : 1" 1/2 G / 0,6 MPa

Discharge side : 1" G / 0,6 MPa

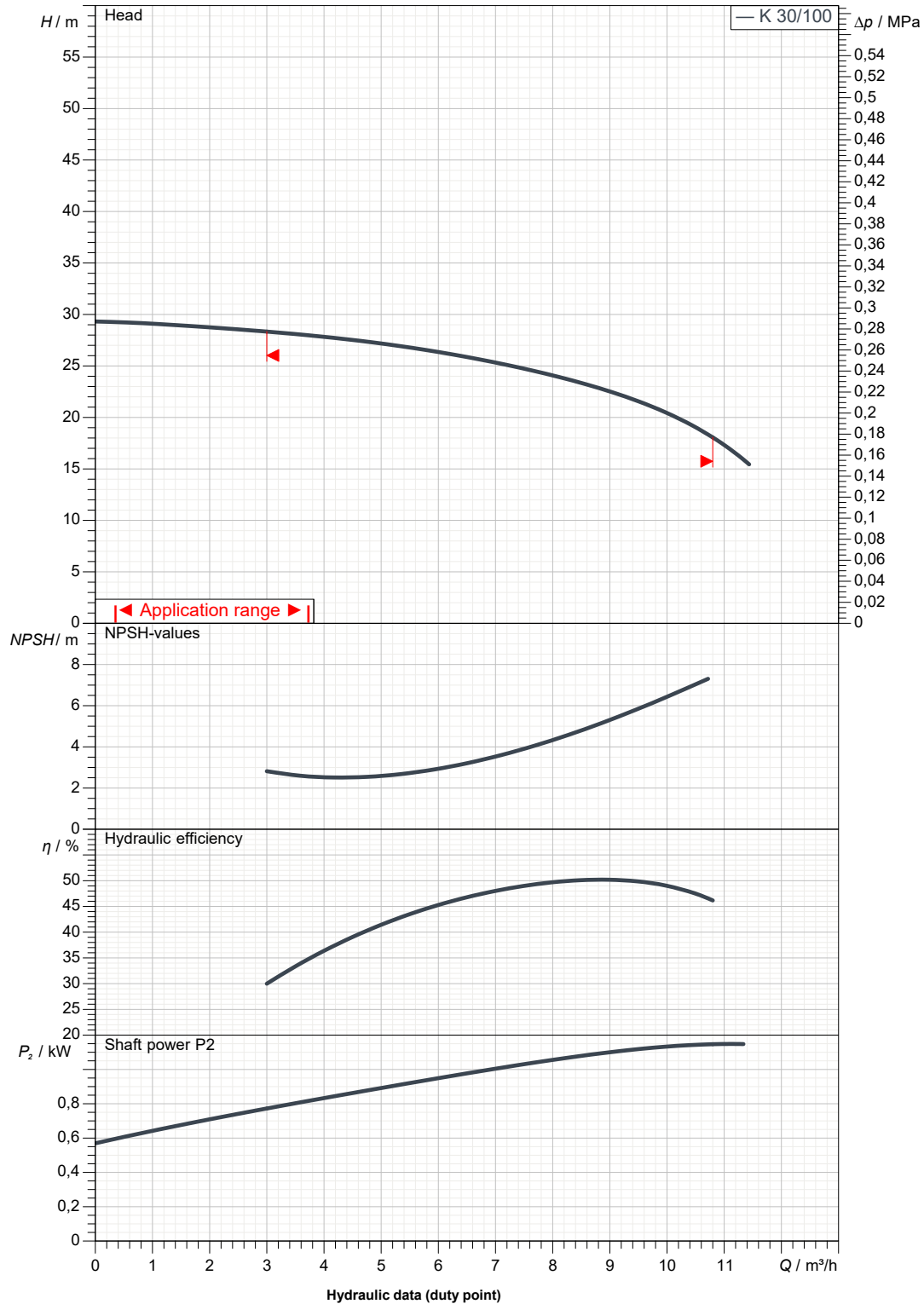
Receiver

From

 Company
 Reference
 Address
 Phone
 Fax
 E-mail

K 30/100 M

Curve tolerance according to ISO 9906


 Suction side :
 1" 1/2 G
 0,6 MPa

 Discharge side :
 1" G
 0,6 MPa

Flow :

Head :

 Rated speed :
 2.800 1/min

MAIN_PROJECT_TITLE

BUSINESS_PROCESS_ID

OWNER_

 ISSUE_DATE
 2023-03-17



DIMENSIONAL DRAWING

2023-03-17

Page 3 / 3

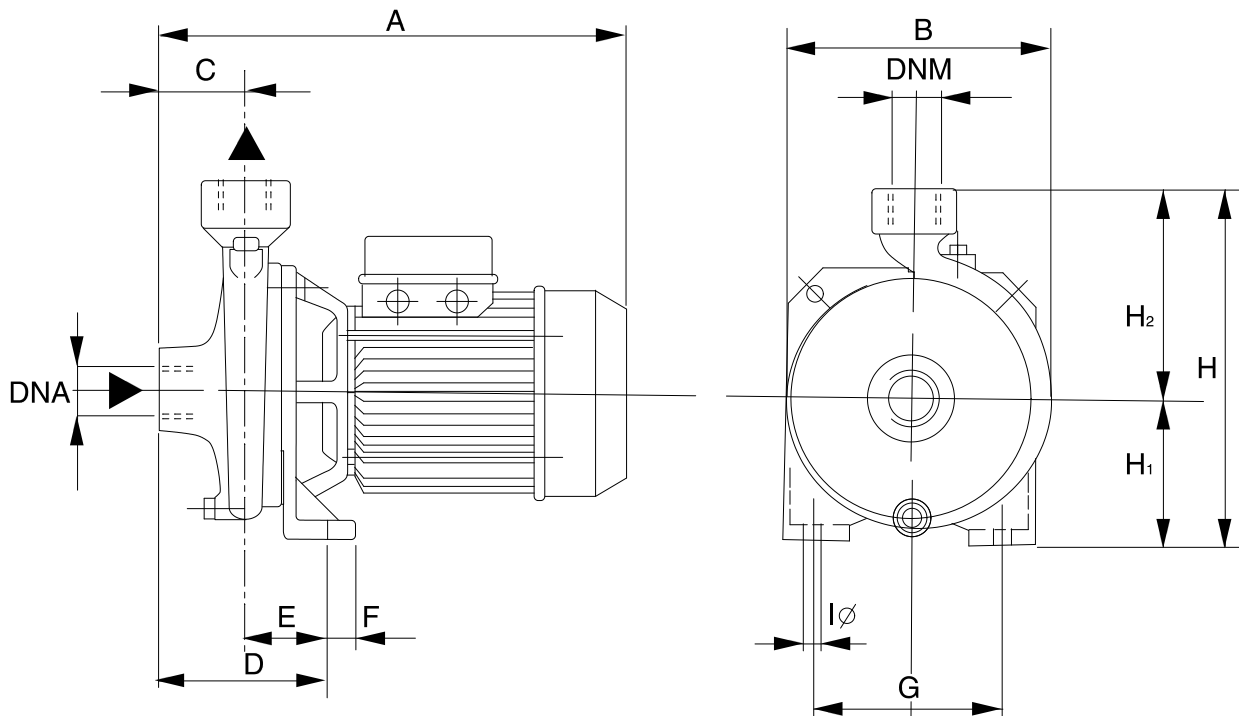
DAB PUMPS S.p.A.
Via Marco Polo, 14 - 35035 Mestrino (PD), Italy
Tel. +39 049 5125000 - Fax +39 049 5125950
www.dabpumps.com

Receiver

From

Company
Reference
Address
Phone
Fax
E-mail

K 30/100 M



Dimensions in mm						Pump connection	
1	A	333	H2	150		Suction 1" 1/2 G 0,6 MPa Discharge 1" G 0,6 MPa	
2	B	200	$I\varnothing$	9			
3	C	50					
4	D	114					
5	DNA	1" 1/2 G					
6	DNM	1" G					
7	E	64					
8	F	15					
9	G	140					
10	H	255					
11	H1	105					

MAIN_PROJECT_TITLE	BUSINESS_PROCESS_ID	OWNER	ISSUE_DATE 2023-03-17
--------------------	---------------------	-------	---------------------------------