

**Receiver**
**From**

 Company  
 Reference  
 Address  
 Phone  
 Fax  
 E-mail

**Item n° :** 102120004  
**Customer pos. no.:**
**Model :**  
 K 35/40 M

**Pump data**

MEI ≥

 Pressure rating : 0,6 MPa  
 Min. fluid temperature : -10 °C  
 Max. fluid temperature : 50 °C  
 Max. Ambient temperature : 40 °C

**Requested data**

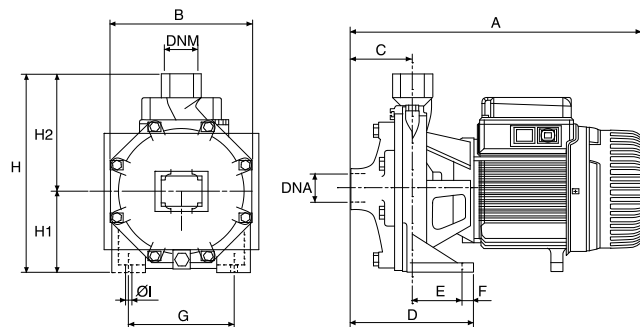
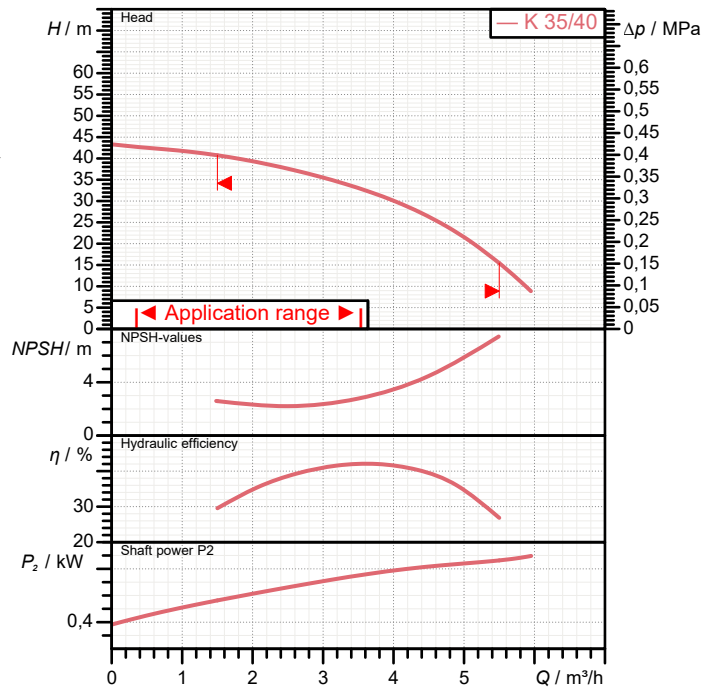
 Flow :  
 Head :  
 Fluid : Water  
 Fluid Temperature : 20 °C  
 Density : 998,3 kg/m<sup>3</sup>  
 Kinematic viscosity : 1,005 mm<sup>2</sup>/s  
 Vapor pressure : 0,00 MPa

**Hydraulic data (duty point)**

 Flow :  
 Head :  
 NPSH :  
 Shaft power P<sub>2</sub> :  
 Efficiency :

**Materials**

 Pump body : Cast iron 200 UNI ISO 185  
 Support : Cast iron 200 UNI ISO 185  
 Impeller : Technopolymer A  
 Mechanical seal : Carbon/Ceramic  
 O-Ring : NBR Rubber  
 Shaft with rotor : AISI 416 X12 CrS 13 UNI 6900/71  
 Intermediate cover : Cast iron 200 UNI ISO 185

**Curve tolerance according to ISO 9906**

**Weight :** 15,9 kg

**Motor data**

 Motor brand : DAB  
 Nominal power P<sub>2</sub> : 0,75 kW  
 Rated speed : 2.800 1/min  
 Rated voltage : 1~ 220-240 V 50 Hz  
 Nominal current : 5,5 A  
 Degree of protection : IP 44

**Dimensions in mm**

A	362
B	180
C	76
D	148
DNA	1" G
DNM	1" G
E	72
F	15
G	148
H	235
H1	100
H2	135
IØ	9,5

**Pump connection**

 Suction side : 1" G / 0,6 MPa  
 Discharge side : 1" G / 0,6 MPa

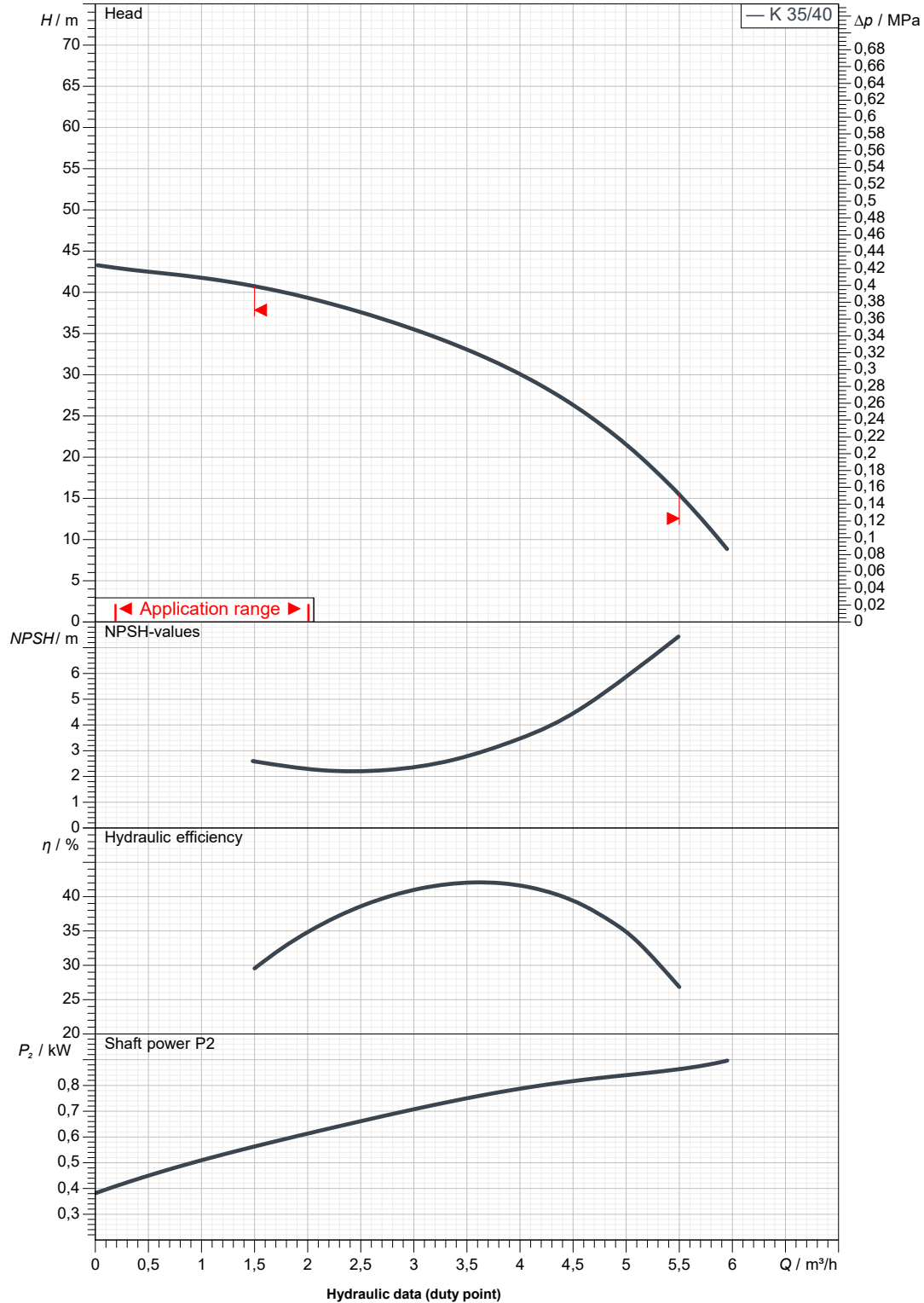
Receiver

From

 Company  
 Reference  
 Address  
 Phone  
 Fax  
 E-mail

**K 35/40 M**

Curve tolerance according to ISO 9906


 Suction side :  
 1" G  
 0,6 MPa

 Discharge side :  
 1" G  
 0,6 MPa

Flow :

Head :

 Rated speed :  
 2.800 1/min

MAIN\_PROJECT\_TITLE

BUSINESS\_PROCESS\_ID

OWNER\_

 ISSUE\_DATE  
 2023-03-17



# DIMENSIONAL DRAWING

2023-03-17

Page 3 / 3

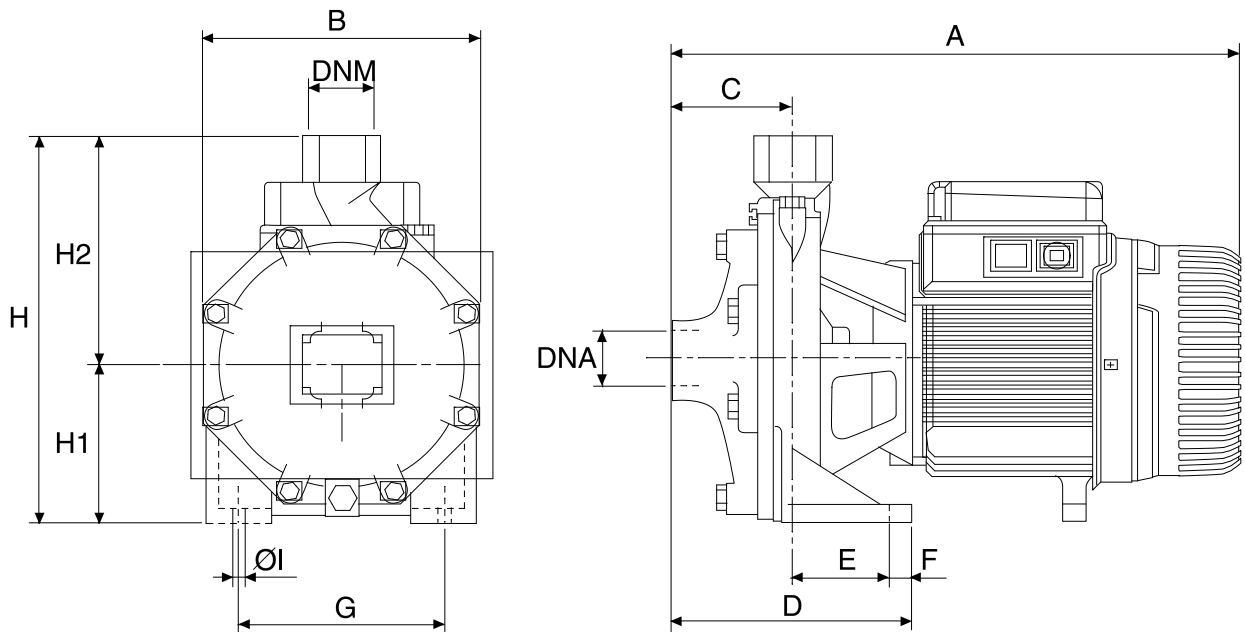
DAB PUMPS S.p.A.  
Via Marco Polo, 14 - 35035 Mestrino (PD), Italy  
Tel. +39 049 5125000 - Fax +39 049 5125950  
www.dabpumps.com

Receiver

From

Company  
Reference  
Address  
Phone  
Fax  
E-mail

## K 35/40 M



**Dimensions in mm**

**Pump connection**

1	A	362	H2	135			
2	B	180	Ø	9,5			Suction
3	C	76					1" G
4	D	148					0,6 MPa
5	DNA	1" G					
6	DNM	1" G					
7	E	72					Discharge
8	F	15					1" G
9	G	148					0,6 MPa
10	H	235					
11	H1	100					

MAIN\_PROJECT\_TITLE

BUSINESS\_PROCESS\_ID

OWNER

ISSUE\_DATE

2023-03-17