

Receiver
From

 Company
 Reference
 Address
 Phone
 Fax
 E-mail

Item n° : 102120022
Customer pos. no.:
Model :
 K 45/50 M

Pump data

MEI ≥

 Pressure rating : 0,8 MPa
 Min. fluid temperature : -10 °C
 Max. fluid temperature : 50 °C
 Max. Ambient temperature : 40 °C

Requested data

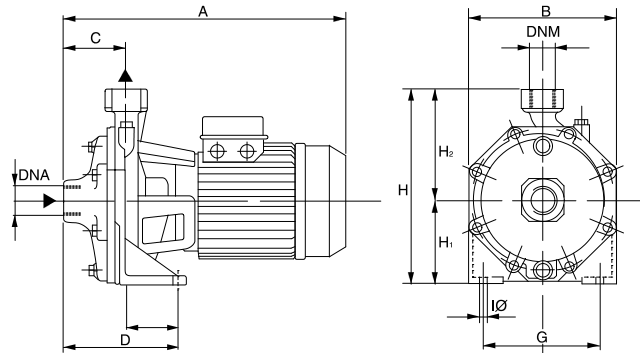
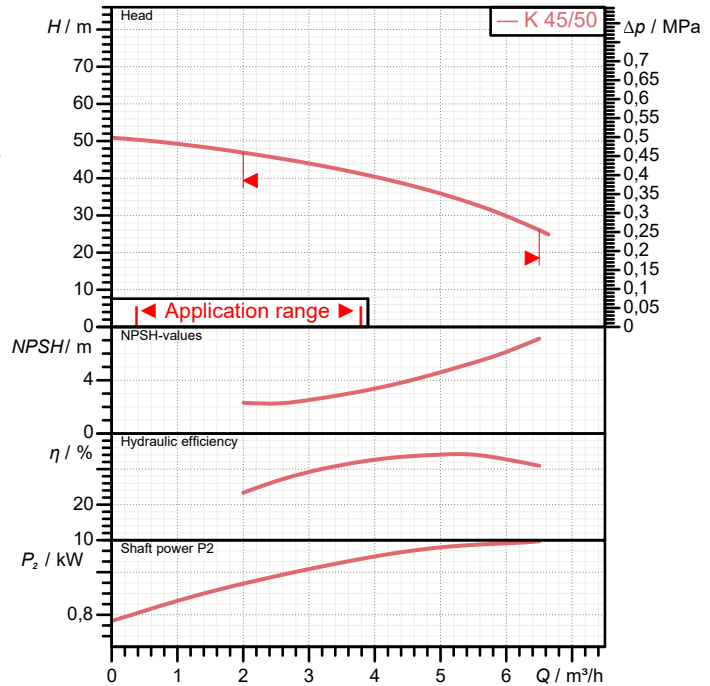
 Flow :
 Head :
 Fluid : Water
 Fluid Temperature : 20 °C
 Density : 998,3 kg/m³
 Kinematic viscosity : 1,005 mm²/s
 Vapor pressure : 0,00 MPa

Hydraulic data (duty point)

 Flow :
 Head :
 NPSH :
 Shaft power P₂ :
 Efficiency :

Materials

 Pump body : Cast iron 200 UNI ISO 185
 Support : Cast iron 200 UNI ISO 185
 Impeller : Technopolymer A
 Mechanical seal : Carbon/Ceramic
 O-Ring : NBR Rubber
 Shaft with rotor : AISI 303 X10 CrNiS 1809 UNI 6900/71
 Intermediate cover : Cast iron 200 UNI ISO 185

Curve tolerance according to ISO 9906

Weight : 23,3 kg

Motor data

 Motor brand : DAB
 Nominal power P₂ : 1,1 kW
 Rated speed : 2.800 1/min
 Rated voltage : 1~ 220-240 V 50 Hz
 Nominal current : 8,3 A
 Degree of protection : IP 44

Dimensions in mm

A	370
B	210
C	75
D	144
DNA	1"1/4 G
DNM	1" G
E	69
F	15
G	165
H	268
H ₁	118
H ₂	150
IØ	11,5

Pump connection

 Suction side : 1" 1/4 G / 0,8 MPa
 Discharge side : 1" G / 0,8 MPa



WATER • TECHNOLOGY

PERFORMANCE CURVES

2023-03-17

Page 2 / 3

DAB PUMPS S.p.A.
Via Marco Polo, 14 - 35035 Mestrino (PD), Italy
Tel. +39 049 5125000 - Fax +39 049 5125950
www.dabpumps.com

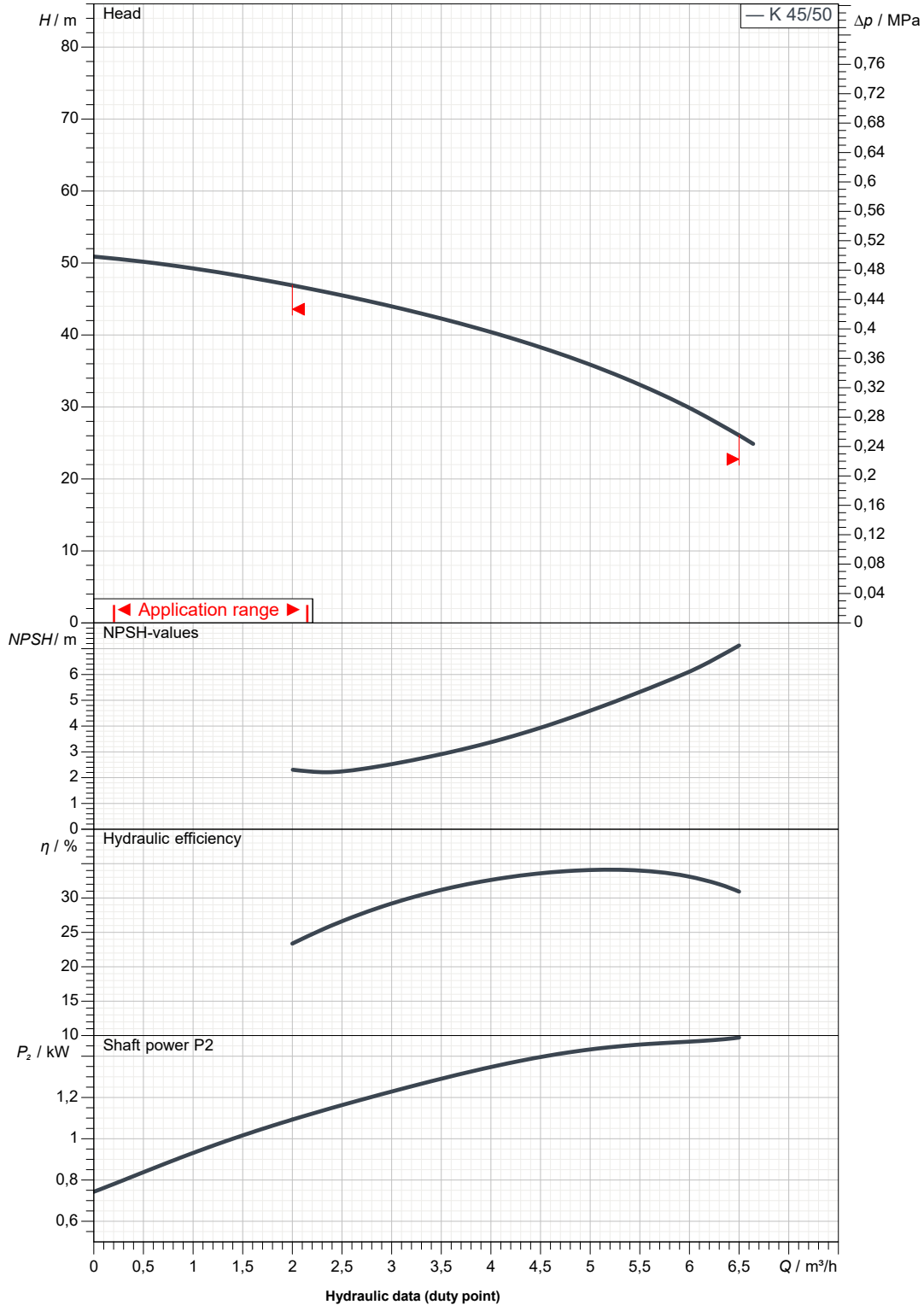
Receiver

From

Company
Reference
Address
Phone
Fax
E-mail

K 45/50 M

Curve tolerance according to ISO 9906



Suction side :
1" 1/4 G
0,8 MPa

Discharge side :
1" G
0,8 MPa

Flow :

Head :

Rated speed :
2.800 1/min

MAIN_PROJECT_TITLE

BUSINESS_PROCESS_ID

OWNER_

ISSUE_DATE
2023-03-17



DIMENSIONAL DRAWING

2023-03-17

Page 3 / 3

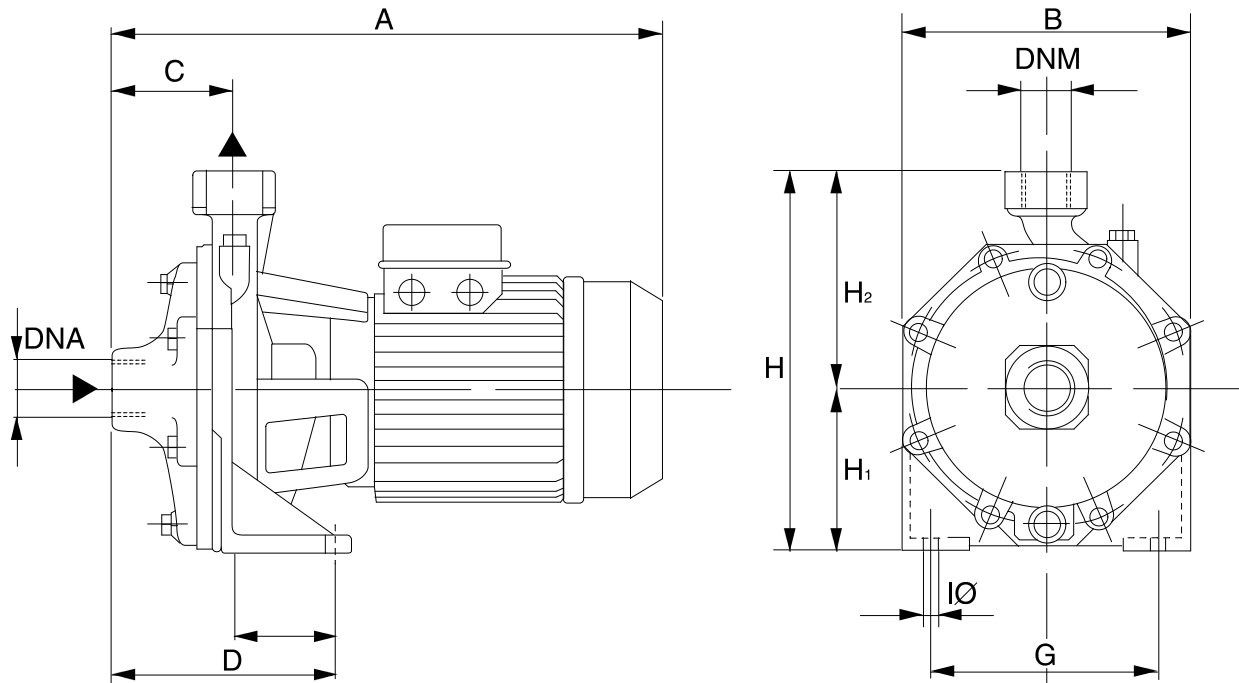
DAB PUMPS S.p.A.
Via Marco Polo, 14 - 35035 Mestrino (PD), Italy
Tel. +39 049 5125000 - Fax +39 049 5125950
www.dabpumps.com

Receiver

From

Company
Reference
Address
Phone
Fax
E-mail

K 45/50 M



Dimensions in mm						Pump connection	
1	A	370	H ₂	150		Suction 1" 1/4 G 0,8 MPa Discharge 1" G 0,8 MPa	
2	B	210	Ø	11,5			
3	C	75					
4	D	144					
5	DNA	1" 1/4 G					
6	DNM	1" G					
7	E	69					
8	F	15					
9	G	165					
10	H	268					
11	H ₁	118					

MAIN_PROJECT_TITLE	BUSINESS_PROCESS_ID	OWNER	ISSUE_DATE 2023-03-17
--------------------	---------------------	-------	---------------------------------