



PERFORMANCE CURVES

2023-03-17

Page 2 / 3

DAB PUMPS S.p.A.
Via Marco Polo, 14 - 35035 Mestrino (PD), Italy
Tel. +39 049 5125000 - Fax +39 049 5125950
www.dabpumps.com

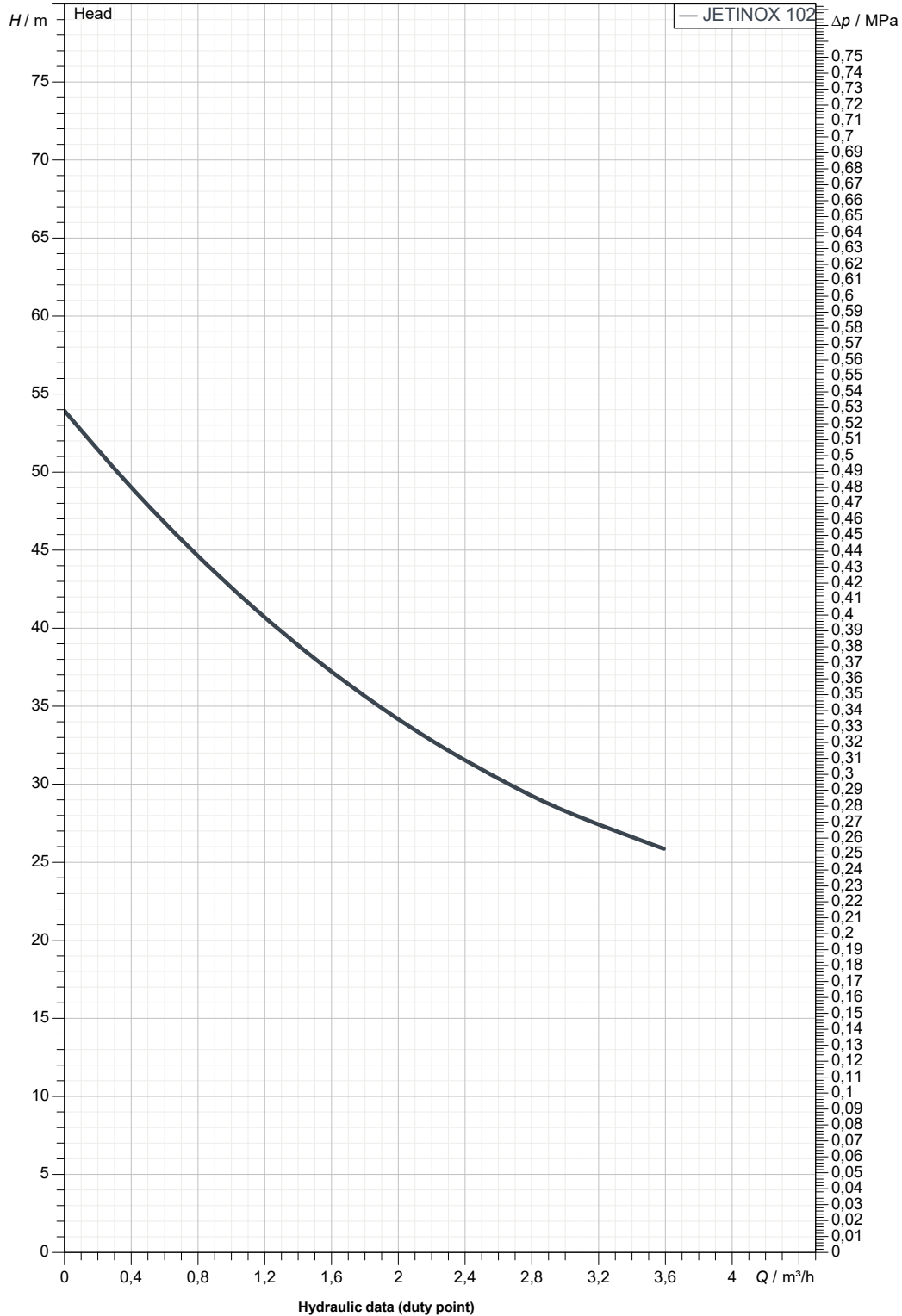
Receiver

From

Company
Reference
Address
Phone
Fax
E-mail

JETINOX 102 M

Curve tolerance according to ISO 9906



Suction side :
1" G
0,8 MPa

Discharge side :
1" G
0,8 MPa

Flow :

Head :

Rated speed :
2.800 1/min

MAIN_PROJECT_TITLE

BUSINESS_PROCESS_ID

OWNER_

ISSUE_DATE

2023-03-17



DIMENSIONAL DRAWING

2023-03-17

Page 3 / 3

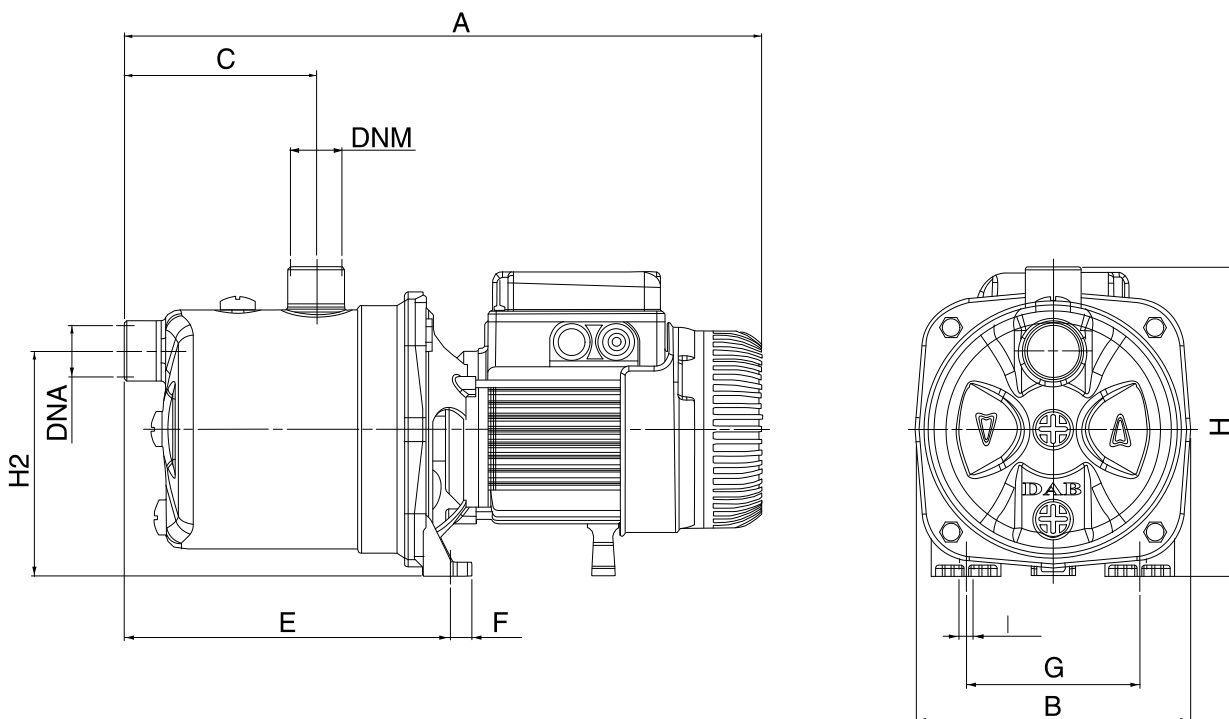
DAB PUMPS S.p.A.
Via Marco Polo, 14 - 35035 Mestrino (PD), Italy
Tel. +39 049 5125000 - Fax +39 049 5125950
www.dabpumps.com

Receiver

From

Company
Reference
Address
Phone
Fax
E-mail

JETINOX 102 M



Dimensions in mm

Pump connection

| | | | | | | | |
|----|-----|------|--|--|--|--|-----------|
| 1 | A | 424 | | | | | |
| 2 | B | 174 | | | | | Suction |
| 3 | C | 122 | | | | | 1" G |
| 4 | DNA | 1" G | | | | | 0,8 MPa |
| 5 | DNM | 1" G | | | | | |
| 6 | E | 207 | | | | | Discharge |
| 7 | F | 14 | | | | | 1" G |
| 8 | G | 111 | | | | | 0,8 MPa |
| 9 | H | 197 | | | | | |
| 10 | H2 | 144 | | | | | |
| 11 | I Ø | 9 | | | | | |

MAIN_PROJECT_TITLE

BUSINESS_PROCESS_II

OWNER_

ISSUE_DATE

2023-03-17