

Receiver

From

Company  
Reference  
Address  
Phone  
Fax  
E-mail

Item n° : Customer pos. no.:

102640060

Model :

JETINOX 112 M

**Pump data**

Pressure rating : 0,8 MPa  
Min. fluid temperature : 0 °C  
Max. fluid temperature : 35 °C  
Max. Ambient temperature : 40 °C

**Priming capacity :**

H	m	2	3	4	5	6	7	8	9
Q	m³/h	3,06	2,82	2,58	2,4	2,04	1,74	1,5	1,2

**Requested data**

Flow :  
Head :  
Fluid : Water  
Fluid Temperature : 20 °C  
Density : 998,3 kg/m³  
Kinematic viscosity : 1,005 mm²/s  
Vapor pressure : 0,00 MPa

**Hydraulic data (duty point)**

Flow :  
Head :

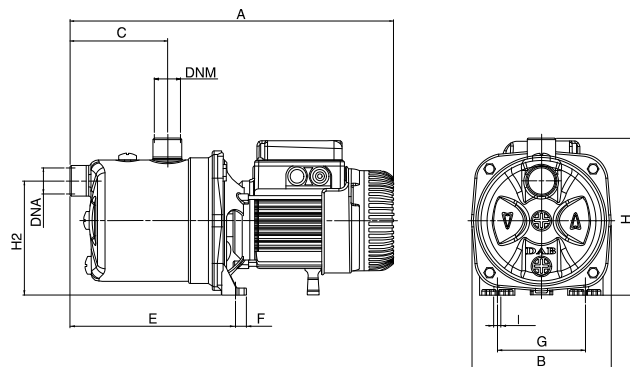
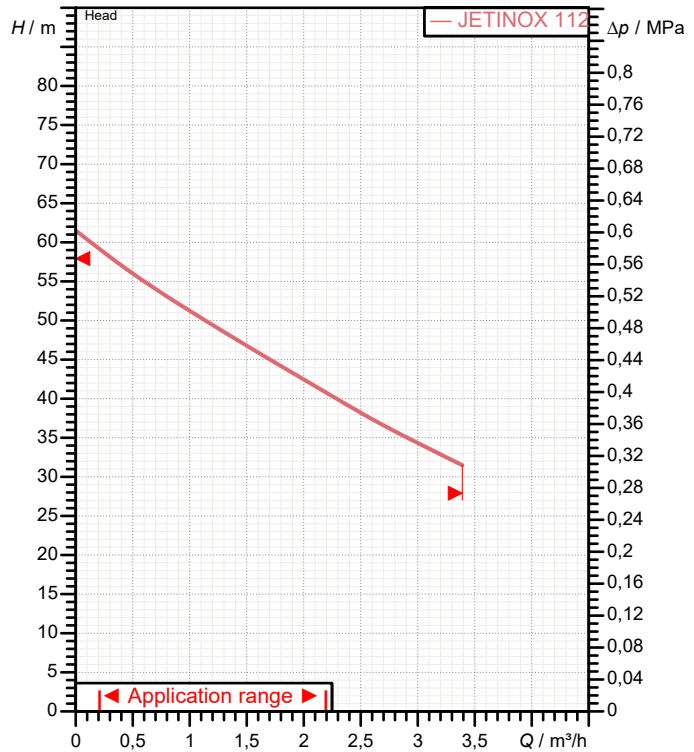
**Materials**

Pump body : AISI 304 X5 Cr Ni 1810 UNI 6900/71  
Disc seal : AISI 304 X5 Cr Ni 1810 UNI 6900/71  
Impeller : Technopolymer A  
Mechanical seal : Carbon/Ceramic  
O-Ring : NBR Rubber  
Shaft with rotor : AISI 416 X12 CrS 13 UNI 6900/71  
Nozzle venturi diffuser assembly : Technopolymer A

**Motor data**

Motor brand : DAB  
Nominal power P2 : 1 kW  
Rated speed : 2.750 1/min  
Rated voltage : 1~ 220-240 V 50 Hz  
Nominal current : 6,2 A  
Degree of protection : IP 44

**Curve tolerance according to ISO 9906**



**Dimensions in mm**

A	424	DNM	1"G	H	197		
B	174	E	207	H2	144		
C	122	F	14	I Ø	9		
DNA	1"G	G	111				

**Weight :** 11 kg

**Pump connection**

Suction side : 1 " G / 0,8 MPa  
Discharge side : 1 " G / 0,8 MPa



# PERFORMANCE CURVES

2023-03-17

Page 2 / 3

DAB PUMPS S.p.A.  
Via Marco Polo, 14 - 35035 Mestrino (PD), Italy  
Tel. +39 049 5125000 - Fax +39 049 5125950  
www.dabpumps.com

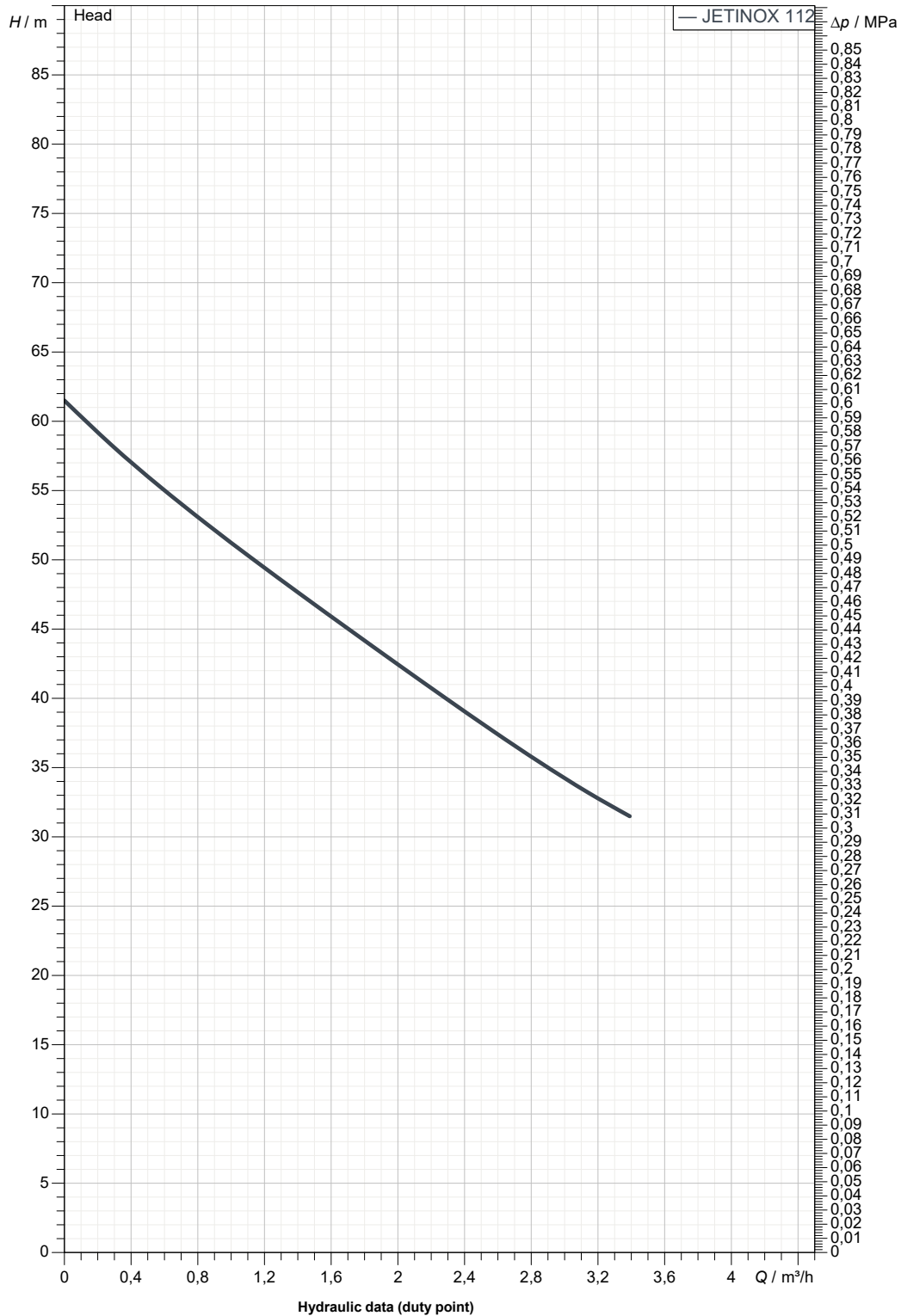
Receiver

From

Company  
Reference  
Address  
Phone  
Fax  
E-mail

## JETINOX 112 M

Curve tolerance according to ISO 9906



Suction side :  
1" G  
0,8 MPa

Discharge side :  
1" G  
0,8 MPa

Flow :

Head :

Rated speed :  
2.750 1/min

MAIN\_PROJECT\_TITLE

BUSINESS\_PROCESS\_ID

OWNER\_

ISSUE\_DATE  
2023-03-17



# DIMENSIONAL DRAWING

2023-03-17

Page 3 / 3

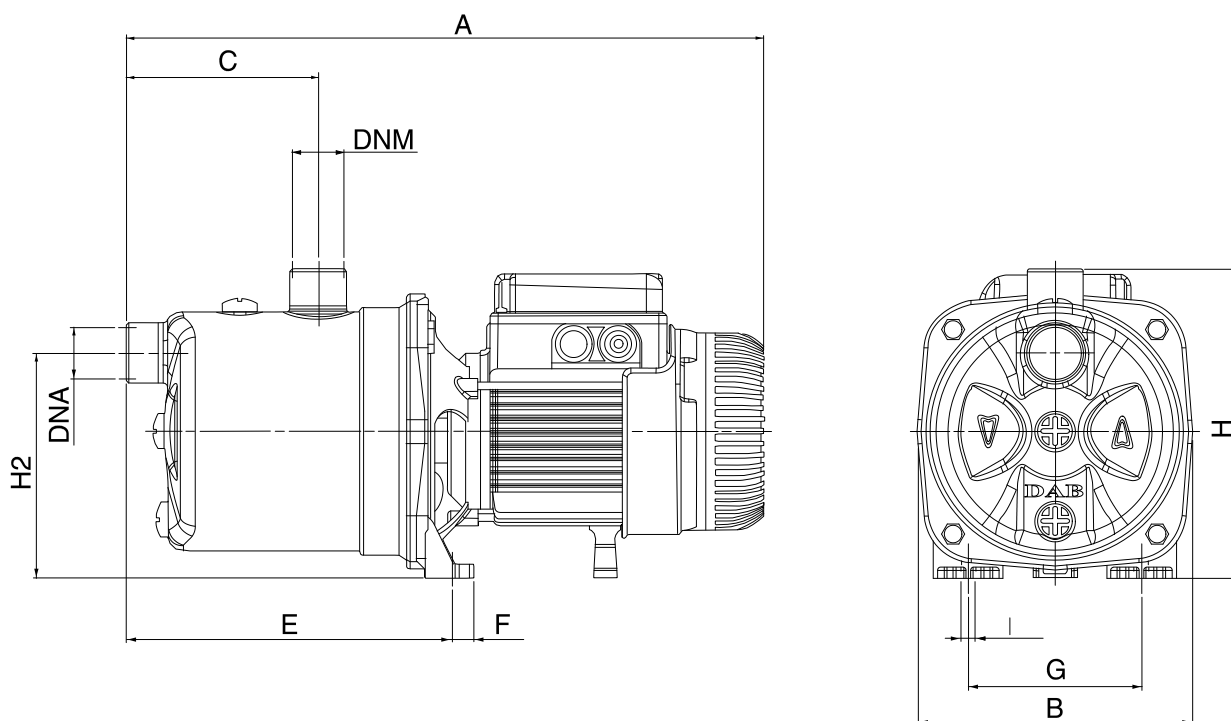
DAB PUMPS S.p.A.  
Via Marco Polo, 14 - 35035 Mestrino (PD), Italy  
Tel. +39 049 5125000 - Fax +39 049 5125950  
www.dabpumps.com

Receiver

From

Company  
Reference  
Address  
Phone  
Fax  
E-mail

## JETINOX 112 M



**Dimensions in mm**

**Pump connection**

1	A	424					
2	B	174					Suction
3	C	122					1" G
4	DNA	1" G					0,8 MPa
5	DNM	1" G					
6	E	207					Discharge
7	F	14					1" G
8	G	111					0,8 MPa
9	H	197					
10	H2	144					
11	I Ø	9					

MAIN\_PROJECT\_TITLE

BUSINESS\_PROCESS\_ID

OWNER\_

ISSUE\_DATE

2023-03-17