

**Receiver**

**From**

Company  
Reference  
Address  
Phone  
Fax  
E-mail

**Item n° :** 102640100  
**Customer pos. no.:**  
**Model :** JETINOX 132 M

**Pump data**  
Pressure rating : 0,8 MPa  
Min. fluid temperature : 0 °C  
Max. fluid temperature : 35 °C  
Max. Ambient temperature : 40 °C

**Priming capacity :**

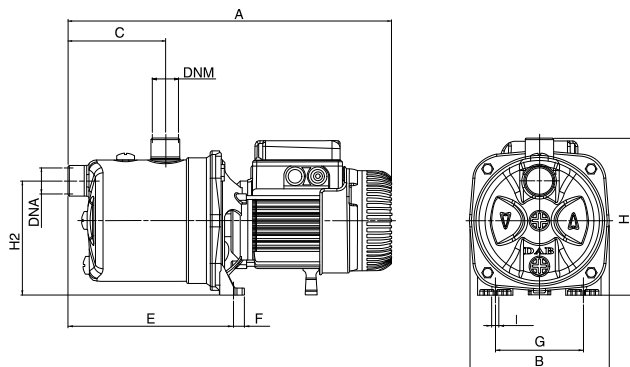
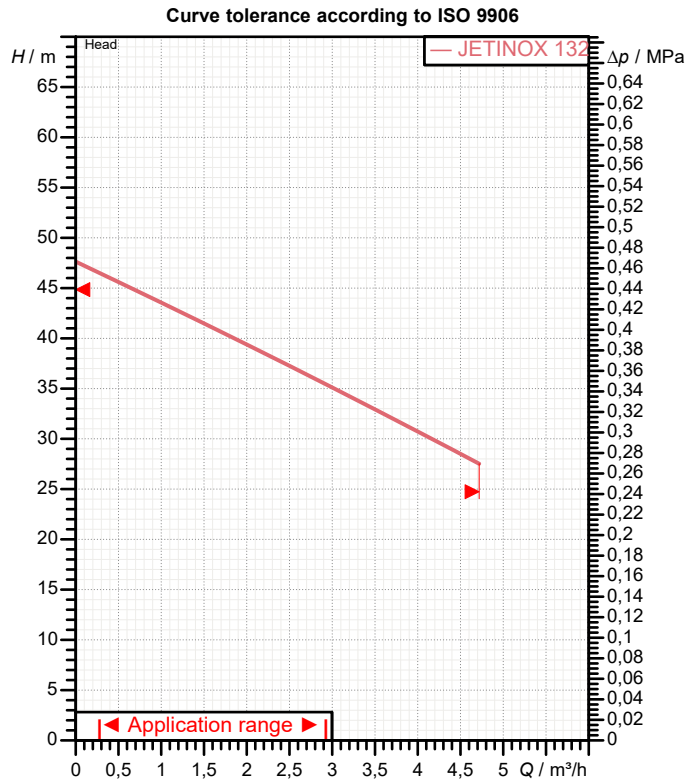
H	m	2	3	4	5	6	7	8	9
Q	m³/h	4,68	4,32	4,02	3,66	3,24	2,76	2,28	1,86

**Requested data**  
Flow :  
Head :  
Fluid : Water  
Fluid Temperature : 20 °C  
Density : 998,3 kg/m³  
Kinematic viscosity : 1,005 mm²/s  
Vapor pressure : 0,00 MPa

**Hydraulic data (duty point)**  
Flow :  
Head :

**Materials**  
Pump body : AISI 304 X5 Cr Ni 1810 UNI 6900/71  
Disc seal : AISI 304 X5 Cr Ni 1810 UNI 6900/71  
Impeller : Technopolymer A  
Mechanical seal : Carbon/Ceramic  
O-Ring : NBR Rubber  
Shaft with rotor : AISI 416 X12 CrS 13 UNI 6900/71  
Nozzle venturi diffuser assembly : Technopolymer A

**Motor data**  
Motor brand : DAB  
Nominal power P2 : 1 kW  
Rated speed : 2.750 1/min  
Rated voltage : 1~ 230 V 50 Hz  
Nominal current : 6,6 A  
Degree of protection : IP 44



**Dimensions in mm**

A	424	DNM	1"G	H	197
B	174	E	207	H2	144
C	122	F	14	I Ø	9
DNA	1"G	G	111		

**Weight :** 11 kg

**Pump connection**  
Suction side : 1 " G / 0,8 MPa  
Discharge side : 1 " G / 0,8 MPa



WATER • TECHNOLOGY

# PERFORMANCE CURVES

2023-03-17

Page 2 / 3

DAB PUMPS S.p.A.  
Via Marco Polo, 14 - 35035 Mestrino (PD), Italy  
Tel. +39 049 5125000 - Fax +39 049 5125950  
www.dabpumps.com

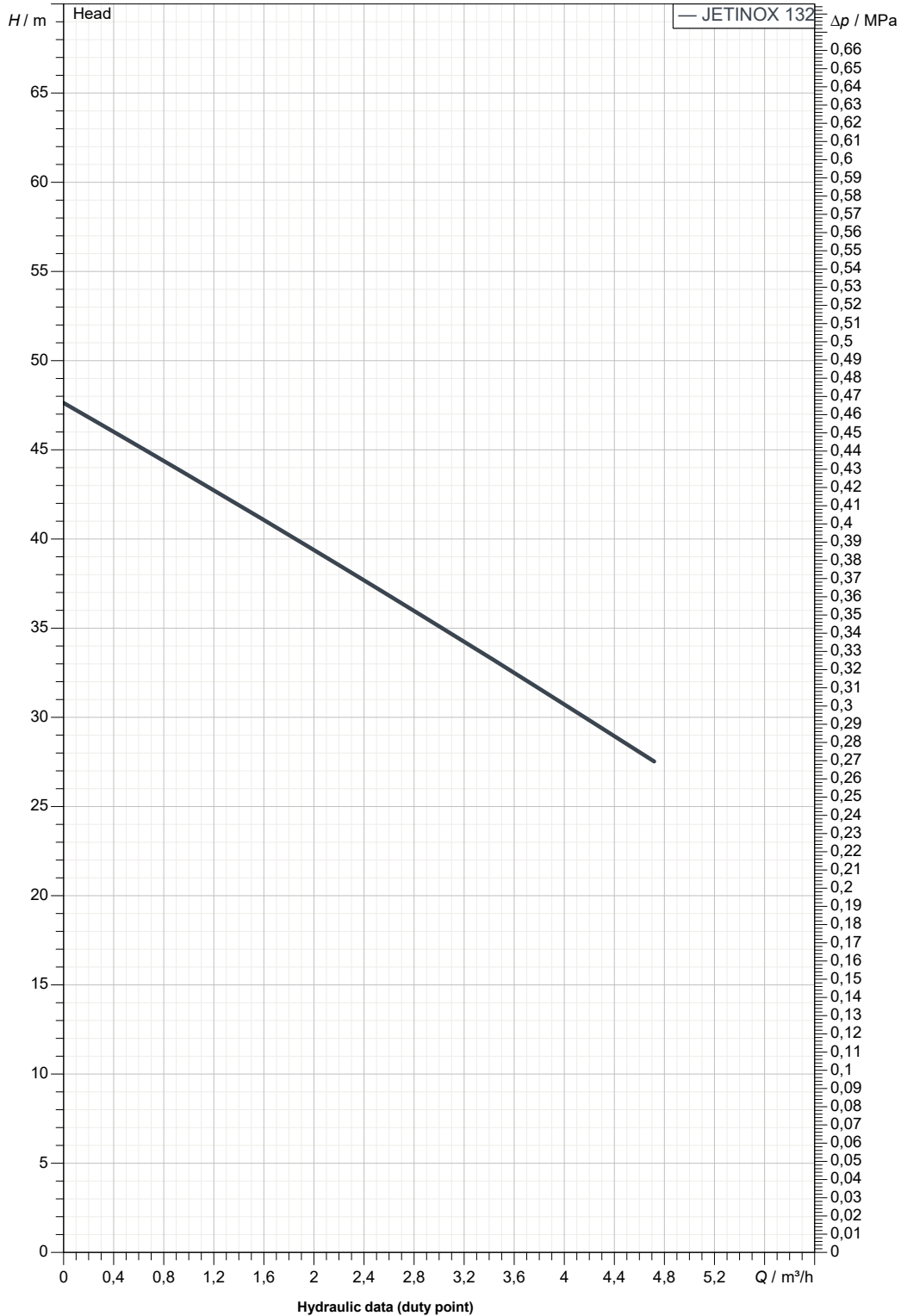
Receiver

From

Company  
Reference  
Address  
Phone  
Fax  
E-mail

## JETINOX 132 M

Curve tolerance according to ISO 9906



Suction side :  
1" G  
0,8 MPa

Discharge side :  
1" G  
0,8 MPa

Flow :

Head :

Rated speed :  
2.750 1/min

MAIN\_PROJECT\_TITLE

BUSINESS\_PROCESS\_ID

OWNER\_

ISSUE\_DATE

2023-03-17



# DIMENSIONAL DRAWING

2023-03-17

Page 3 / 3

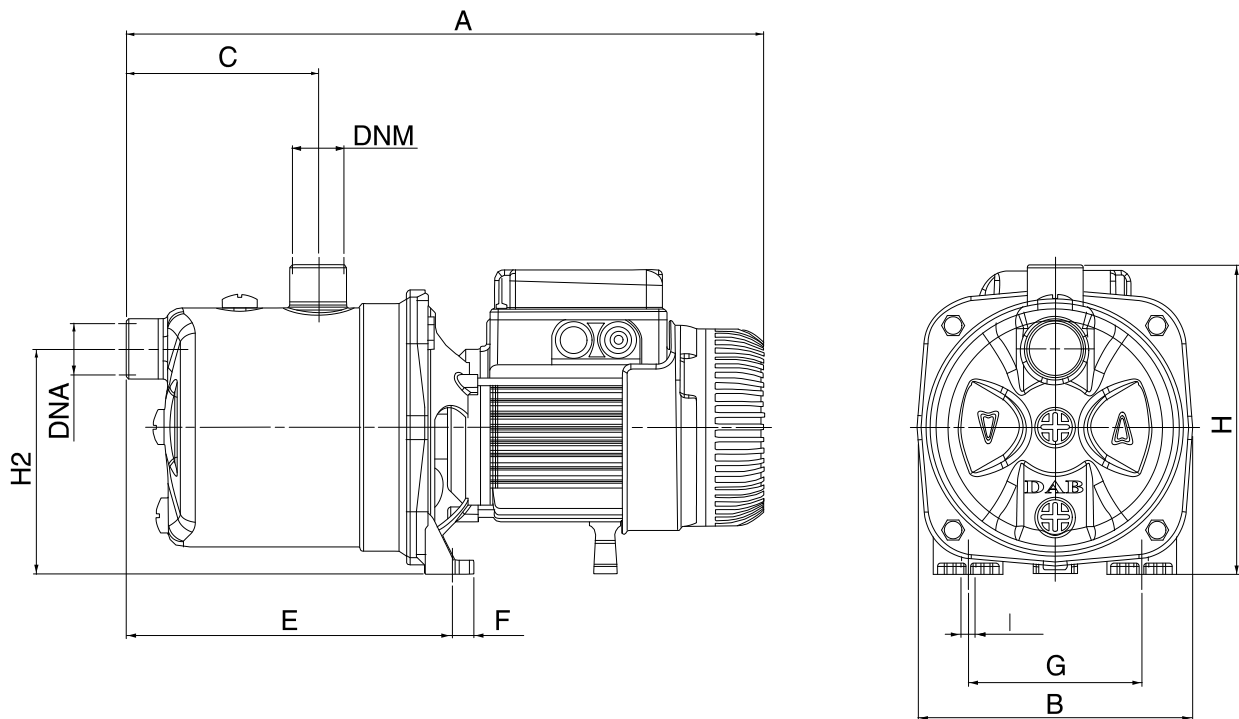
DAB PUMPS S.p.A.  
Via Marco Polo, 14 - 35035 Mestrino (PD), Italy  
Tel. +39 049 5125000 - Fax +39 049 5125950  
www.dabpumps.com

Receiver

From

Company  
Reference  
Address  
Phone  
Fax  
E-mail

## JETINOX 132 M



Dimensions in mm				Pump connection	
1	A	424			
2	B	174			Suction
3	C	122			1" G
4	DNA	1" G			0,8 MPa
5	DNM	1" G			
6	E	207			Discharge
7	F	14			1" G
8	G	111			0,8 MPa
9	H	197			
10	H2	144			
11	I Ø	9			

MAIN_PROJECT_TITLE	BUSINESS_PROCESS_ID	OWNER_	ISSUE_DATE <b>2023-03-17</b>
--------------------	---------------------	--------	---------------------------------