





WATER • TECHNOLOGY

# PERFORMANCE CURVES

2023-03-17

Page 2 / 3

DAB PUMPS S.p.A.  
Via Marco Polo, 14 - 35035 Mestrino (PD), Italy  
Tel. +39 049 5125000 - Fax +39 049 5125950  
www.dabpumps.com

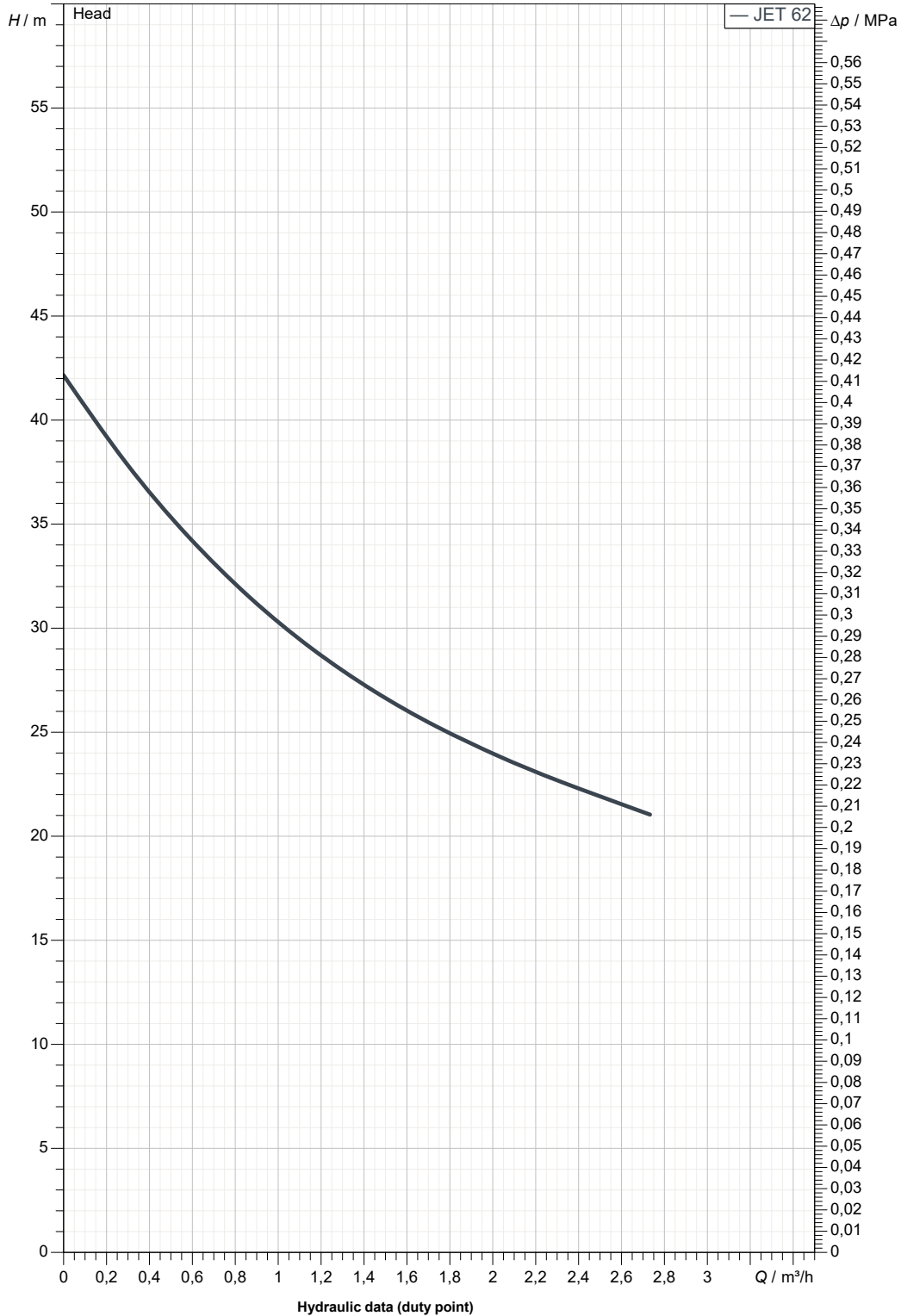
Receiver

From

Company  
Reference  
Address  
Phone  
Fax  
E-mail

## JET 62 M

Curve tolerance according to ISO 9906



Suction side :  
1" G  
0,6 MPa

Discharge side :  
1" G  
0,6 MPa

Flow :

Head :

Rated speed :  
2.850 1/min

MAIN\_PROJECT\_TITLE

BUSINESS\_PROCESS\_IC

OWNER\_

ISSUE\_DATE  
2023-03-17



# DIMENSIONAL DRAWING

2023-03-17

Page 3 / 3

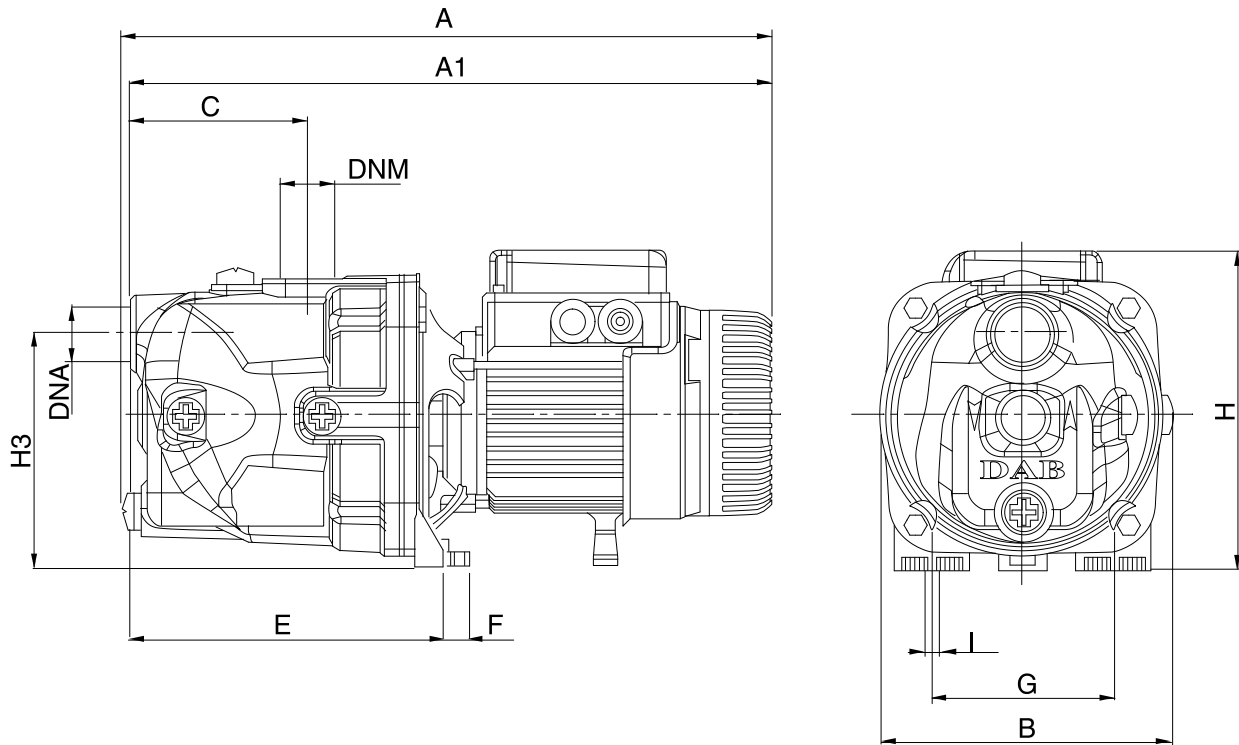
DAB PUMPS S.p.A.  
Via Marco Polo, 14 - 35035 Mestrino (PD), Italy  
Tel. +39 049 5125000 - Fax +39 049 5125950  
www.dabpumps.com

Receiver

From

Company  
Reference  
Address  
Phone  
Fax  
E-mail

## JET 62 M



Dimensions in mm						Pump connection
1	A	395	∅	9		Suction
2	A1	390				1" G
3	B	178				0,6 MPa
4	C	108				
5	DNA	1" G				Discharge
6	DNM	1" G				1" G
7	E	192				0,6 MPa
8	F	14				
9	G	111				
10	H	193				
11	H3	144				

MAIN_PROJECT_TITLE	BUSINESS_PROCESS_ID	OWNER_	ISSUE_DATE <b>2023-03-17</b>
--------------------	---------------------	--------	---------------------------------