



PERFORMANCE CURVES

2023-03-17

Page 2 / 3

DAB PUMPS S.p.A.
 Via Marco Polo, 14 - 35035 Mestrino (PD), Italy
 Tel. +39 049 5125000 - Fax +39 049 5125950
 www.dabpumps.com

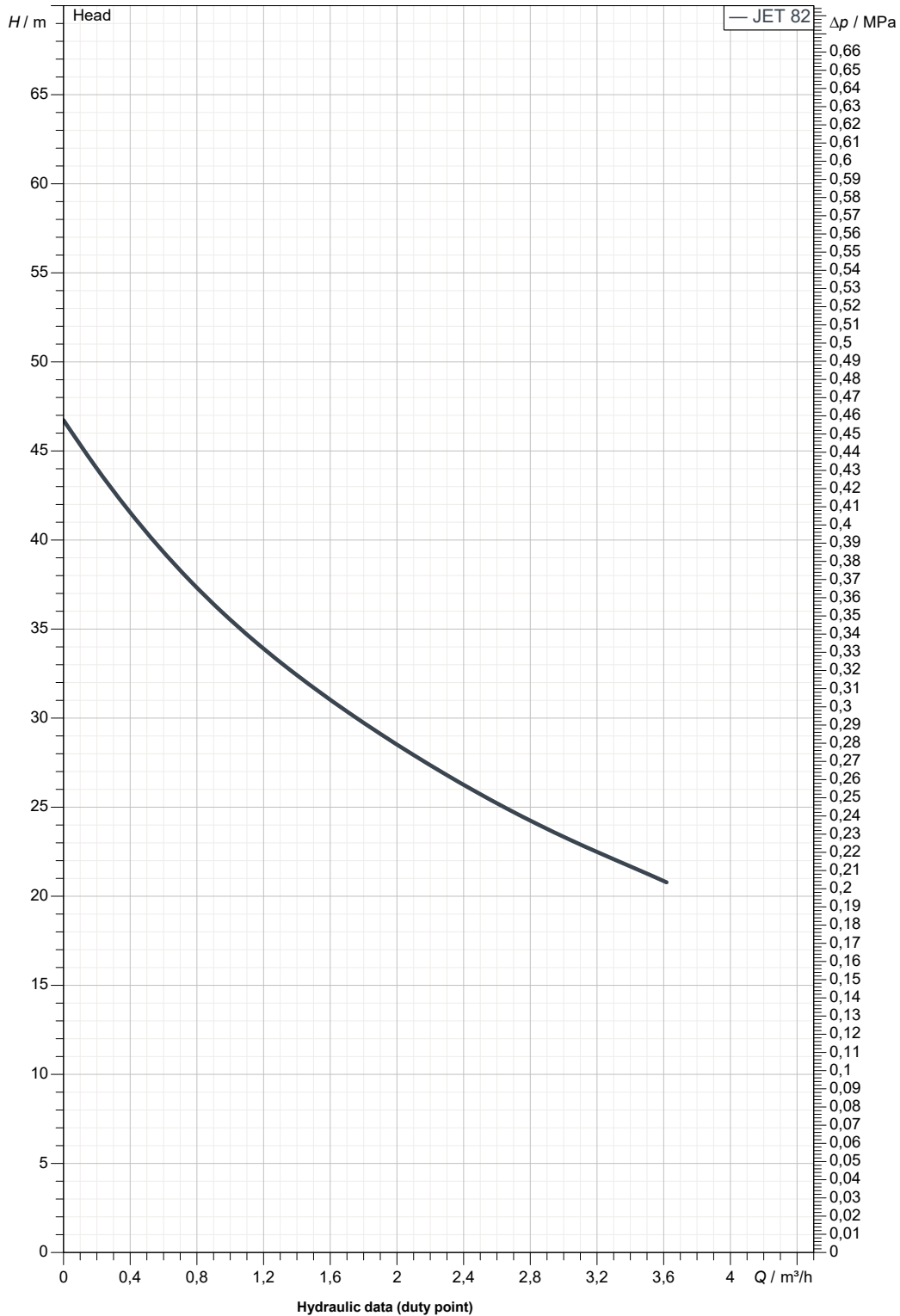
Receiver

From

Company
 Reference
 Address
 Phone
 Fax
 E-mail

JET 82 M

Curve tolerance according to ISO 9906



Suction side :
 1" G
 0,6 MPa

Discharge side :
 1" G
 0,6 MPa

Flow :

Head :

Rated speed :
 2.750 1/min

MAIN_PROJECT_TITLE

BUSINESS_PROCESS_ID

OWNER_

ISSUE_DATE
 2023-03-17



DIMENSIONAL DRAWING

2023-03-17

Page 3 / 3

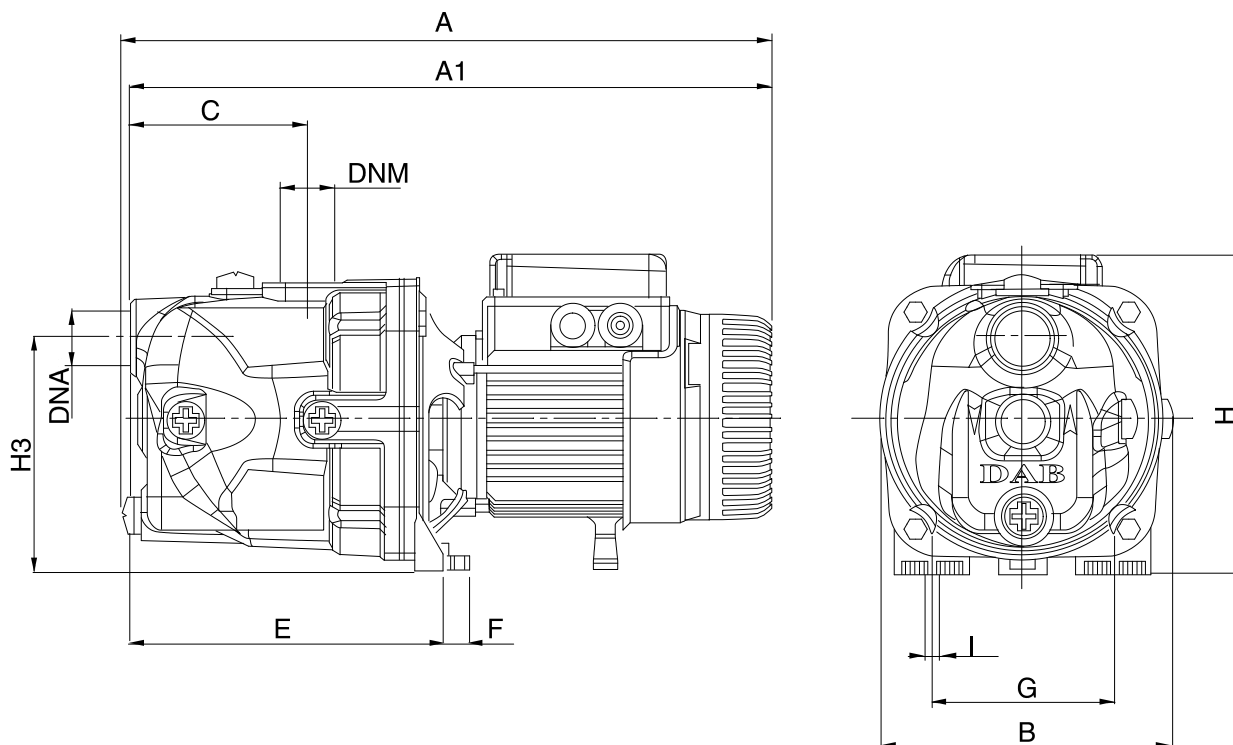
DAB PUMPS S.p.A.
Via Marco Polo, 14 - 35035 Mestrino (PD), Italy
Tel. +39 049 5125000 - Fax +39 049 5125950
www.dabpumps.com

Receiver

From

Company
Reference
Address
Phone
Fax
E-mail

JET 82 M



Dimensions in mm

Pump connection

1	A	395	∅	9		
2	A1	395				
3	B	178				Suction
4	C	108				1" G
5	DNA	1" G				0,6 MPa
6	DNM	1" G				
7	E	192				Discharge
8	F	14				1" G
9	G	111				0,6 MPa
10	H	193				
11	H3	144				

MAIN_PROJECT_TITLE

BUSINESS_PROCESS_ID

OWNER_

ISSUE_DATE

2023-03-17