

Receiver
From

 Company
 Reference
 Address
 Phone
 Fax
 E-mail

Item n° :

102970260

Customer pos. no.:
Model :

EUROINOX 30/50 M

Pump data

 Pressure rating : 0,8 MPa
 Min. fluid temperature : 0 °C
 Max. fluid temperature : 35 °C
 Max. Ambient temperature : 40 °C

Requested data

 Flow :
 Head :
 Fluid : Water
 Fluid Temperature : 20 °C
 Density : 998,3 kg/m³
 Kinematic viscosity : 1,005 mm²/s
 Vapor pressure : 0,00 MPa

Hydraulic data (duty point)

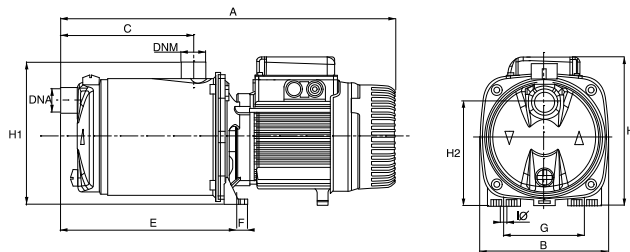
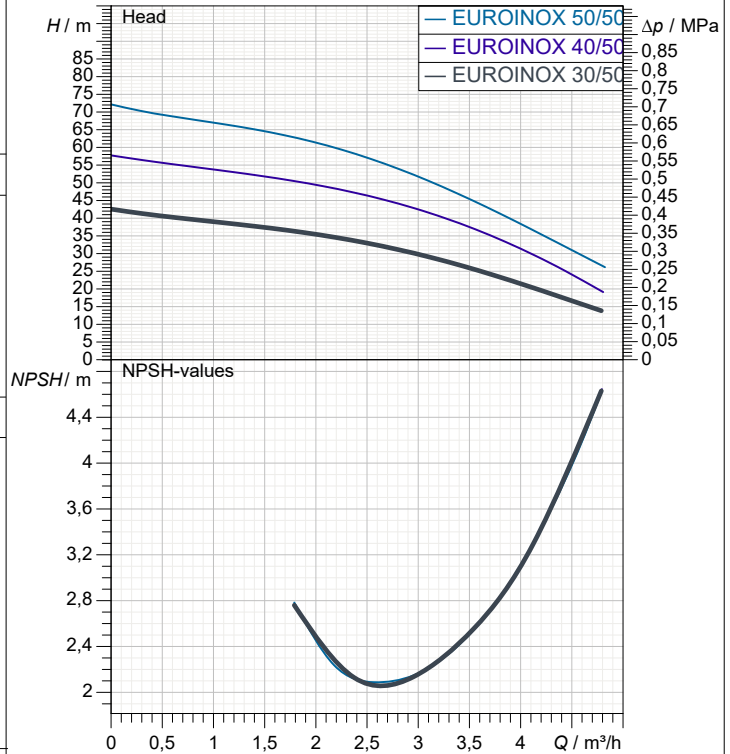
 Flow :
 Head :

Materials

Pump body	AISI 304 X5 Cr Ni 1810 UNI 6900/71
Impeller	Technopolymer
Shaft with rotor	AISI 304 X5 Cr Ni 1810 UNI 6900/71
O-Ring	NBR
Diffuser	Technopolymer
Mechanical seal	Carbon/Ceramic
Disc seal	AISI 304 X5 Cr Ni 1810 UNI 6900/71

Motor data

Motor brand :	DAB	
Nominal power P2 :	0,55 kW	
Rated speed :	2.800 1/min	
Rated voltage :	1~ 220-240 V	50 Hz
Nominal current :	3,9 A	
Degree of protection :	IP 44	

Curve tolerance according to ISO 9906

Weight : 10,7 kg

Dimensions in mm

	A	B	C	DNA	DNM	E	F	G	H	H1	H2	I	Ø
1" G	384	174	108	1" G		186	13,5	111	H	193	196	143	9

Pump connection

Suction side :	1" G	/	0,8 MPa
Discharge side :	1" G	/	0,8 MPa



PERFORMANCE CURVES

2023-03-17

Page 2 / 3

DAB PUMPS S.p.A.
Via Marco Polo, 14 - 35035 Mestrino (PD), Italy
Tel. +39 049 5125000 - Fax +39 049 5125950
www.dabpumps.com

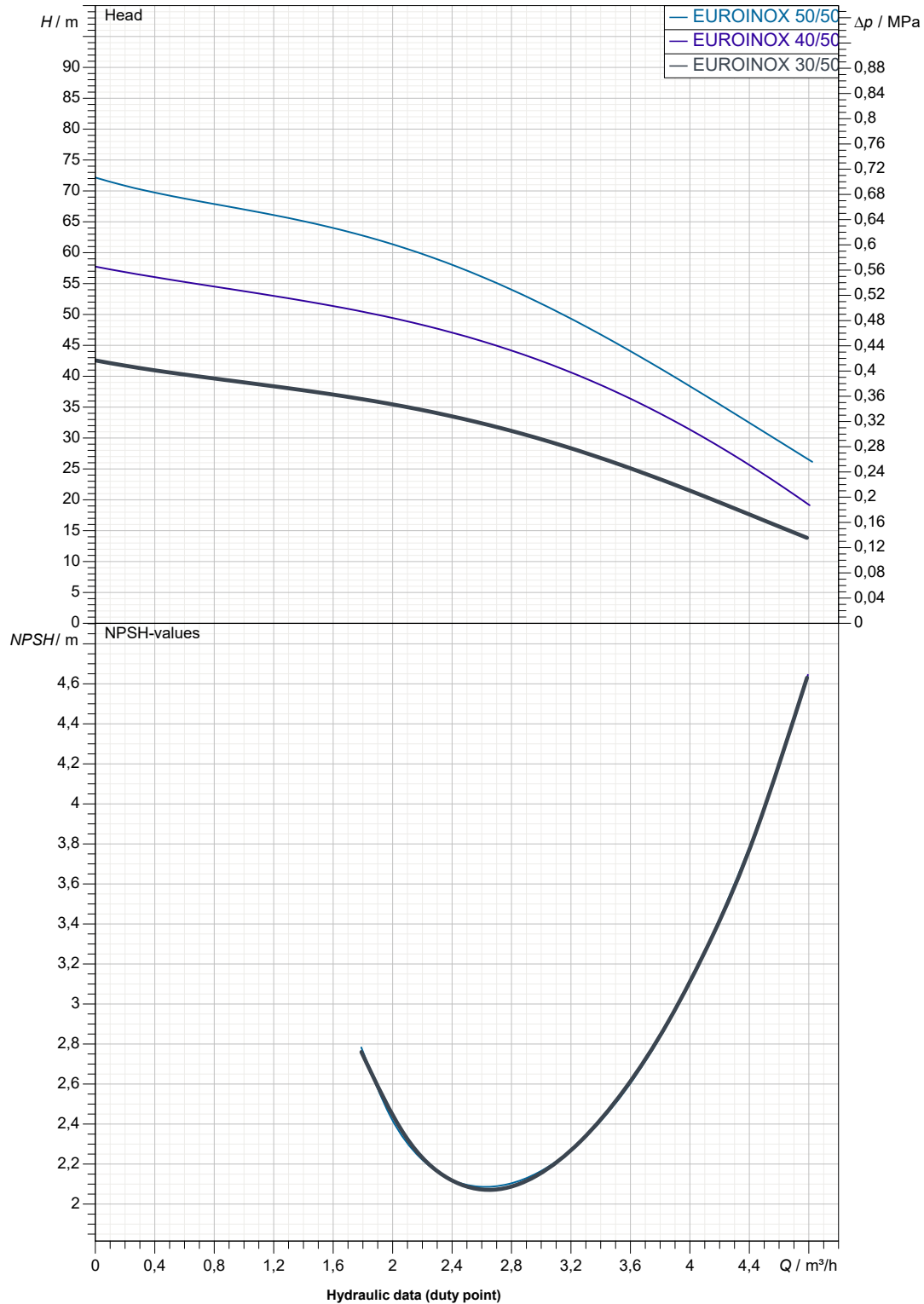
Receiver

From

Company
Reference
Address
Phone
Fax
E-mail

EUROINOX 30/50 M

Curve tolerance according to ISO 9906



Suction side :
1" G
0,8 MPa

Discharge side :
1" G
0,8 MPa

Flow :

Head :

Rated speed :
2.800 1/min

MAIN_PROJECT_TITLE

BUSINESS_PROCESS_IT

OWNER_

ISSUE_DATE
2023-03-17



DIMENSIONAL DRAWING

2023-03-17

Page 3 / 3

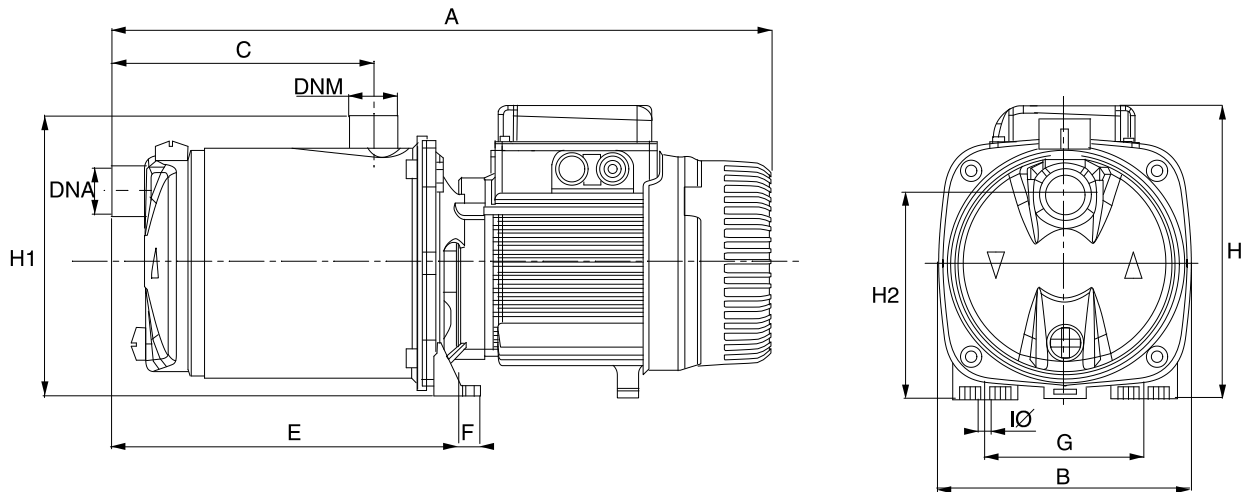
DAB PUMPS S.p.A.
Via Marco Polo, 14 - 35035 Mestrino (PD), Italy
Tel. +39 049 5125000 - Fax +39 049 5125950
www.dabpumps.com

Receiver

From

Company
Reference
Address
Phone
Fax
E-mail

EUROINOX 30/50 M



Dimensions in mm						Pump connection
1	A	384	I Ø	9		Suction
2	B	174				1" G
3	C	108				0,8 MPa
4	DNA	1" G				Discharge
5	DNM	1" G				1" G
6	E	186				0,8 MPa
7	F	13,5				
8	G	111				
9	H	193				
10	H1	196				
11	H2	143				

MAIN_PROJECT_TITLE	BUSINESS_PROCESS_ID	OWNER	ISSUE_DATE 2023-03-17
--------------------	---------------------	-------	---------------------------------