

### Receiver

### From

Company  
Reference  
Address  
Phone  
Fax  
E-mail

#### Item n° :

102970340

#### Customer pos. no.:

#### Model :

EUROINOX 30/80 M

#### Pump data

Pressure rating : 0,8 MPa  
Min. fluid temperature : 0 °C  
Max. fluid temperature : 35 °C  
Max. Ambient temperature : 40 °C

#### Requested data

Flow :  
Head :  
Fluid : Water  
Fluid Temperature : 20 °C  
Density : 998,3 kg/m<sup>3</sup>  
Kinematic viscosity : 1,005 mm<sup>2</sup>/s  
Vapor pressure : 0,00 MPa

#### Hydraulic data (duty point)

Flow :  
Head :

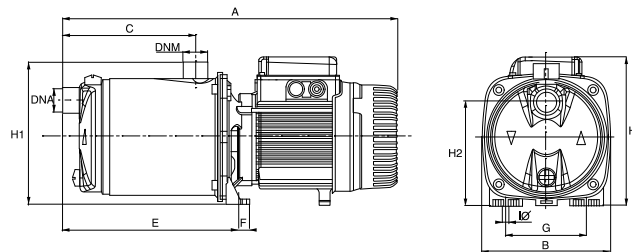
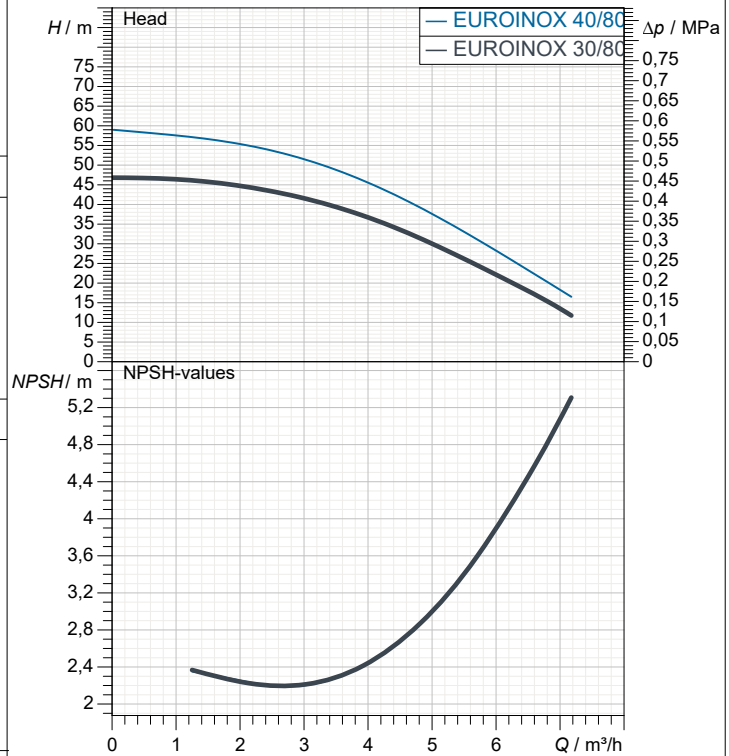
#### Materials

Pump body : AISI 304 X5 Cr Ni 1810 UNI 6900/71  
Impeller : Technopolymer  
Shaft with rotor : AISI 304 X5 Cr Ni 1810 UNI 6900/71  
O-Ring : NBR  
Diffuser : Technopolymer  
Mechanical seal : Carbon/Ceramic  
Disc seal : AISI 304 X5 Cr Ni 1810 UNI 6900/71

#### Motor data

Motor brand : DAB  
Nominal power P2 : 0,8 kW  
Rated speed : 2.800 1/min  
Rated voltage : 1~ 220-240 V 50 Hz  
Nominal current : 5,3 A  
Degree of protection : IP 44

#### Curve tolerance according to ISO 9906



Weight : 14,8 kg

#### Dimensions in mm

	A	C	DNM	1" G	H	H1	H2	I Ø
A	458			1" G	H	203		
B	174		E	241	H1	196		
C	166		F	13,5	H2	143		
DNA	1" G	G		111	I Ø	9		

#### Pump connection

Suction side : 1" G / 0,8 MPa  
Discharge side : 1" G / 0,8 MPa



# PERFORMANCE CURVES

2023-03-17

Page 2 / 3

DAB PUMPS S.p.A.  
Via Marco Polo, 14 - 35035 Mestrino (PD), Italy  
Tel. +39 049 5125000 - Fax +39 049 5125950  
www.dabpumps.com

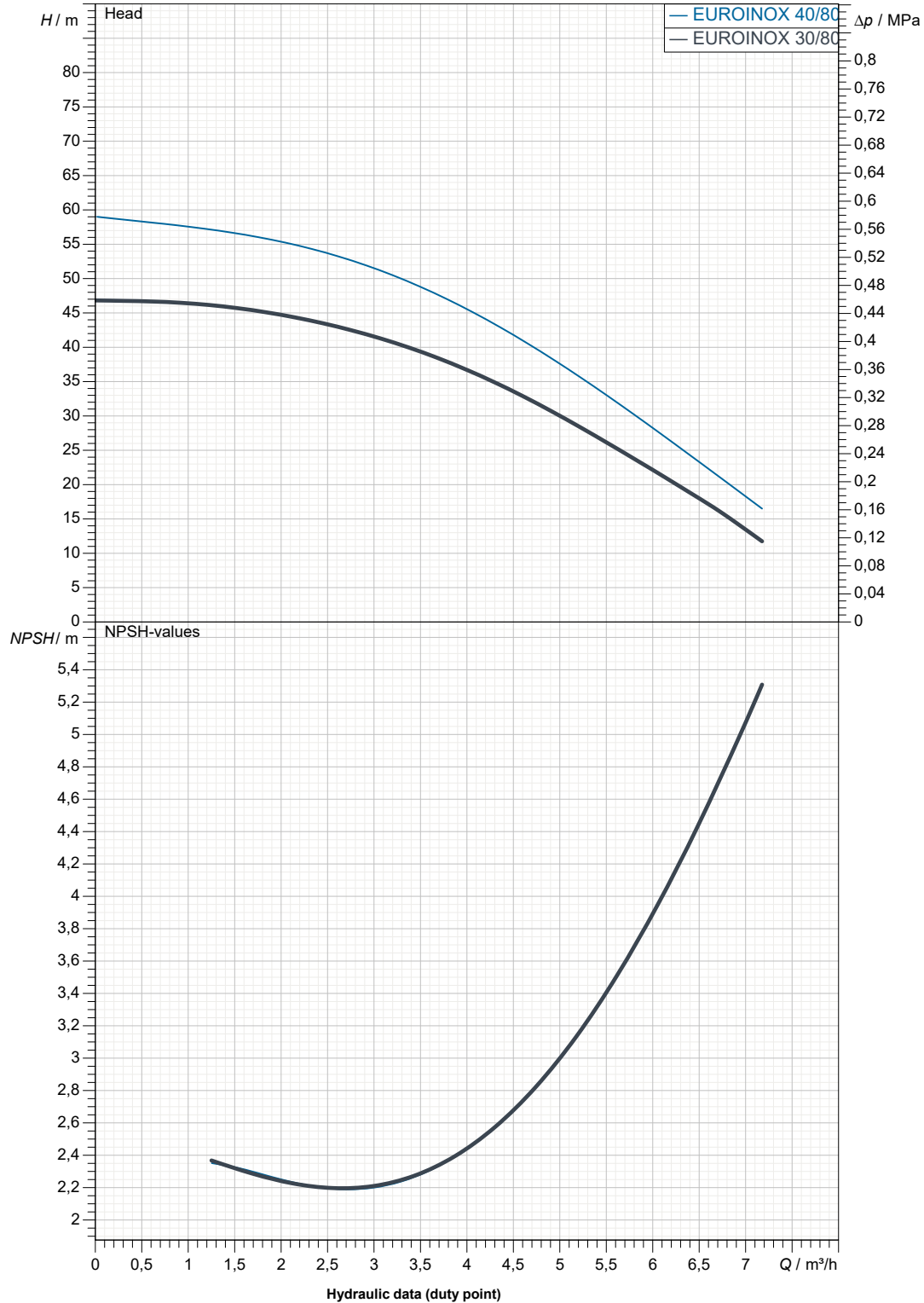
Receiver

From

Company  
Reference  
Address  
Phone  
Fax  
E-mail

## EUROINOX 30/80 M

Curve tolerance according to ISO 9906



Suction side :  
1" G  
0,8 MPa

Discharge side :  
1" G  
0,8 MPa

Flow :

Head :

Rated speed :  
2.800 1/min

MAIN\_PROJECT\_TITLE

BUSINESS\_PROCESS\_IC

OWNER\_

ISSUE\_DATE  
2023-03-17



# DIMENSIONAL DRAWING

2023-03-17

Page 3 / 3

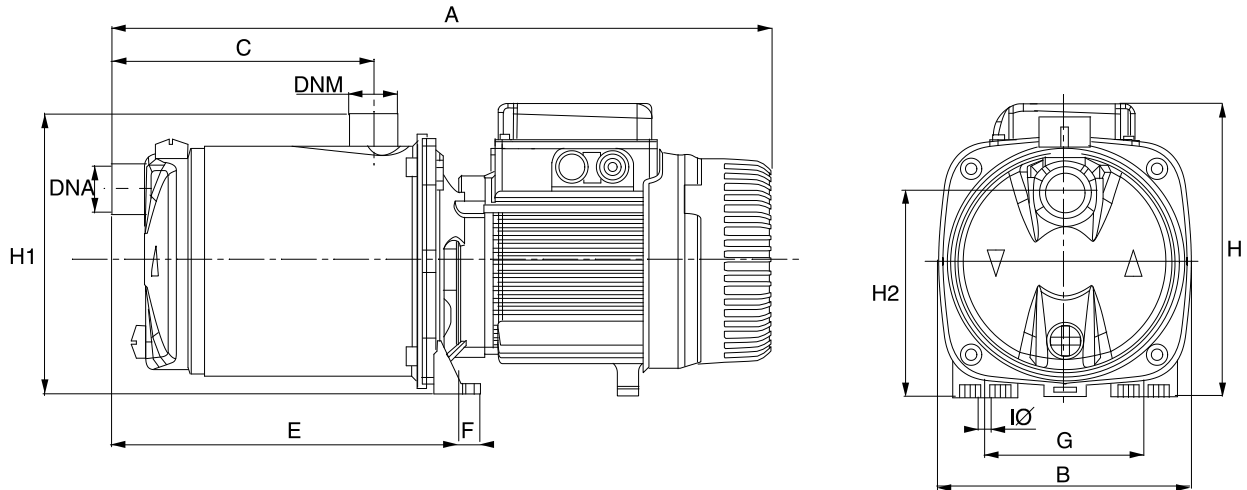
DAB PUMPS S.p.A.  
Via Marco Polo, 14 - 35035 Mestrino (PD), Italy  
Tel. +39 049 5125000 - Fax +39 049 5125950  
www.dabpumps.com

Receiver

From

Company  
Reference  
Address  
Phone  
Fax  
E-mail

## EUROINOX 30/80 M



Dimensions in mm						Pump connection
1	A	458	I Ø	9		Suction
2	B	174				1" G
3	C	166				0,8 MPa
4	DNA	1" G				
5	DNM	1" G				Discharge
6	E	241				1" G
7	F	13,5				0,8 MPa
8	G	111				
9	H	203				
10	H1	196				
11	H2	143				

MAIN_PROJECT_TITLE	BUSINESS_PROCESS_ID	OWNER	ISSUE_DATE <b>2023-03-17</b>
--------------------	---------------------	-------	---------------------------------