

**Receiver**
**From**

 Company  
 Reference  
 Address  
 Phone  
 Fax  
 E-mail

**Item n° :**

102970360

**Customer pos. no.:**
**Model :**

EUROINOX 40/80 M

**Pump data**

 Pressure rating : 0,8 MPa  
 Min. fluid temperature : 0 °C  
 Max. fluid temperature : 35 °C  
 Max. Ambient temperature : 40 °C

**Requested data**

 Flow :  
 Head :  
 Fluid : Water  
 Fluid Temperature : 20 °C  
 Density : 998,3 kg/m<sup>3</sup>  
 Kinematic viscosity : 1,005 mm<sup>2</sup>/s  
 Vapor pressure : 0,00 MPa

**Hydraulic data (duty point)**

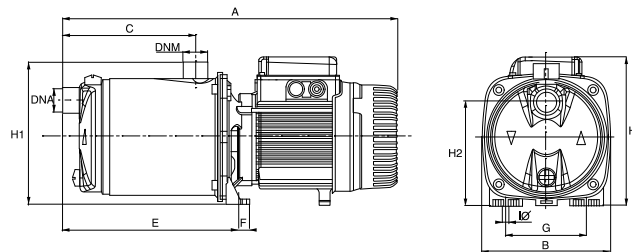
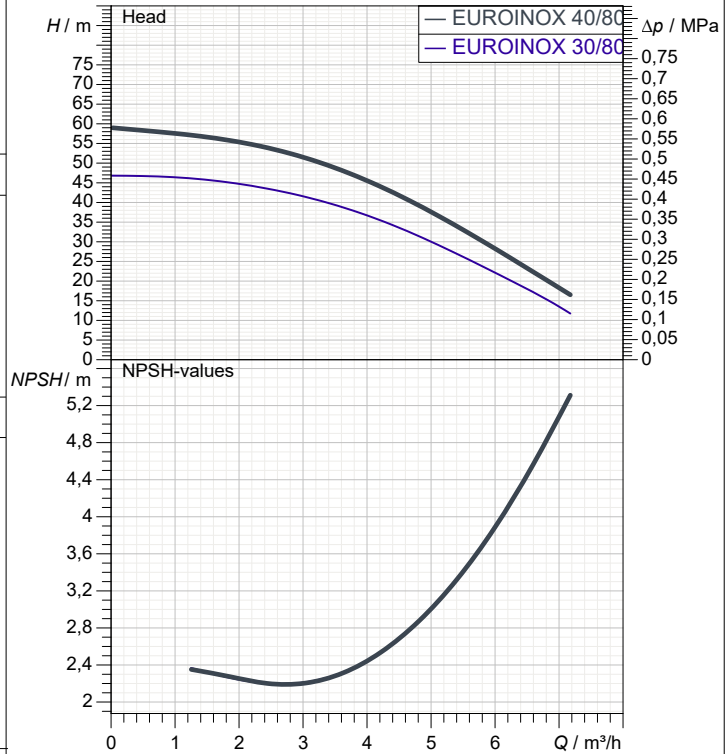
 Flow :  
 Head :

**Materials**

 Pump body : AISI 304 X5 Cr Ni 1810 UNI 6900/71  
 Impeller : Technopolymer  
 Shaft with rotor : AISI 304 X5 Cr Ni 1810 UNI 6900/71  
 O-Ring : NBR  
 Diffuser : Technopolymer  
 Mechanical seal : Carbon/Ceramic  
 Disc seal : AISI 304 X5 Cr Ni 1810 UNI 6900/71

**Motor data**

 Motor brand : DAB  
 Nominal power P2 : 1 kW  
 Rated speed : 2.800 1/min  
 Rated voltage : 1~ 230 V 50 Hz  
 Nominal current : 6,5 A  
 Degree of protection : IP 44

**Curve tolerance according to ISO 9906**

**Weight :** 15,5 kg

**Dimensions in mm**

	A	C	DNM	1" G	H	H1	H2	I Ø
A	458			1" G	H	203		
B	174		E	241	H1	196		
C	166		F	13,5	H2	143		
DNA	1" G	G		111	I Ø	9		

**Pump connection**

 Suction side : 1" G / 0,8 MPa  
 Discharge side : 1" G / 0,8 MPa



# PERFORMANCE CURVES

2023-03-17

Page 2 / 3

DAB PUMPS S.p.A.  
Via Marco Polo, 14 - 35035 Mestrino (PD), Italy  
Tel. +39 049 5125000 - Fax +39 049 5125950  
www.dabpumps.com

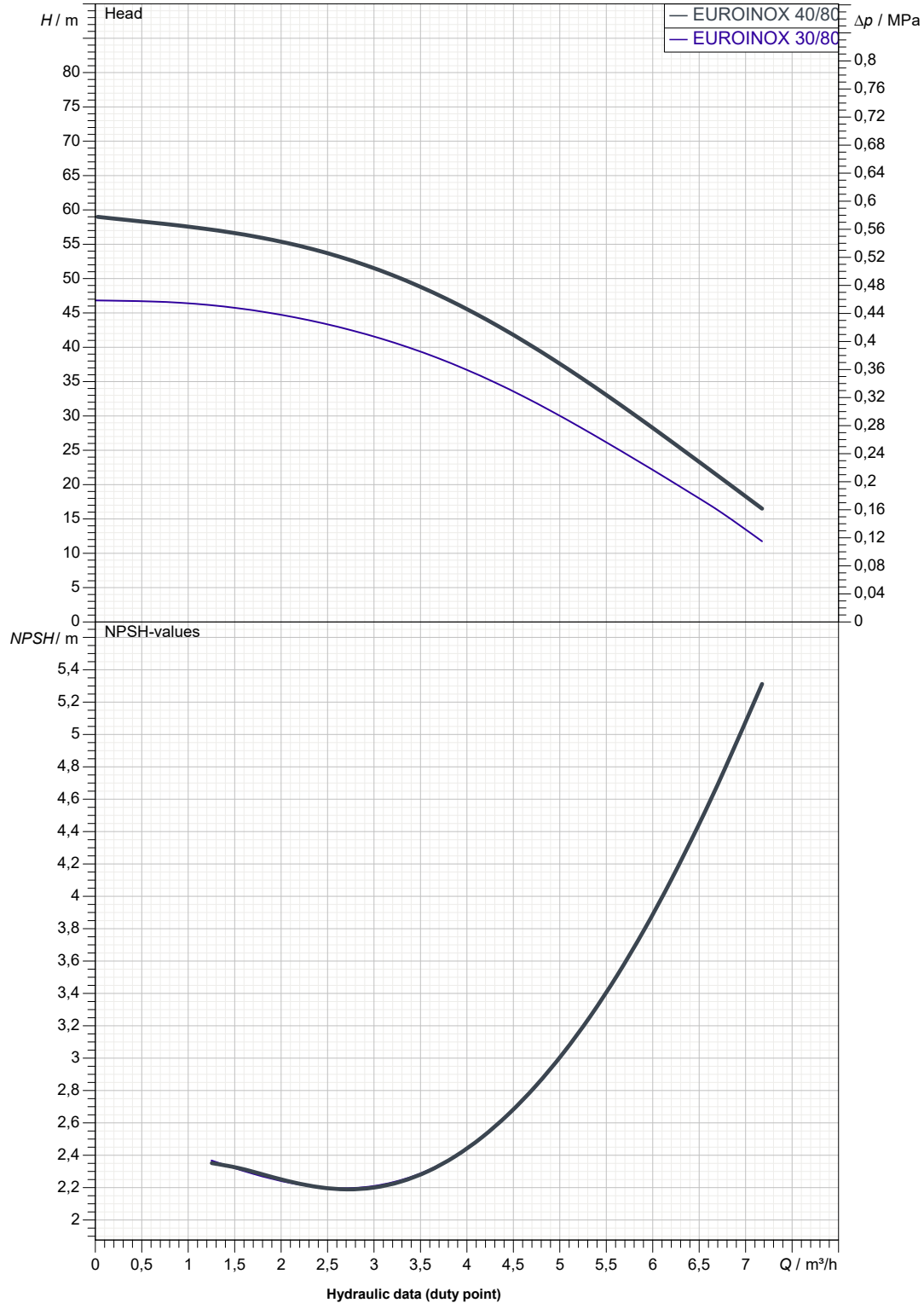
Receiver

From

Company  
Reference  
Address  
Phone  
Fax  
E-mail

## EUROINOX 40/80 M

Curve tolerance according to ISO 9906



Suction side :  
1" G  
0,8 MPa

Discharge side :  
1" G  
0,8 MPa

Flow :

Head :

Rated speed :  
2.800 1/min

MAIN\_PROJECT\_TITLE

BUSINESS\_PROCESS\_ID

OWNER\_

ISSUE\_DATE  
2023-03-17



# DIMENSIONAL DRAWING

2023-03-17

Page 3 / 3

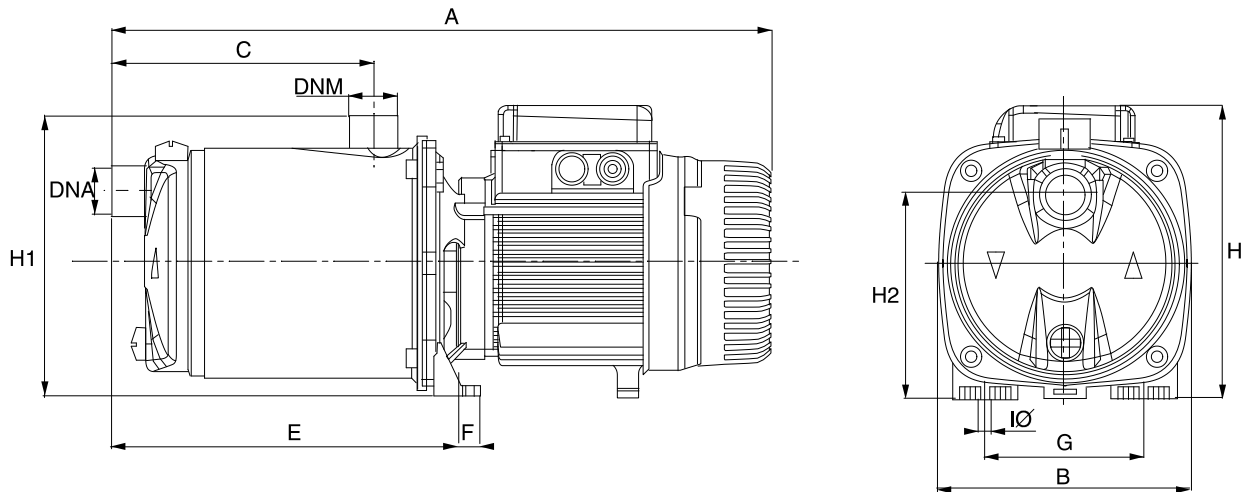
DAB PUMPS S.p.A.  
Via Marco Polo, 14 - 35035 Mestrino (PD), Italy  
Tel. +39 049 5125000 - Fax +39 049 5125950  
www.dabpumps.com

Receiver

From

Company  
Reference  
Address  
Phone  
Fax  
E-mail

## EUROINOX 40/80 M



**Dimensions in mm**

**Pump connection**

1	A	458	I Ø	9		
2	B	174				Suction
3	C	166				1" G
4	DNA	1" G				0,8 MPa
5	DNM	1" G				
6	E	241				Discharge
7	F	13,5				1" G
8	G	111				0,8 MPa
9	H	203				
10	H1	196				
11	H2	143				

MAIN\_PROJECT\_TITLE

BUSINESS\_PROCESS\_ID

OWNER

ISSUE\_DATE

2023-03-17