

Receiver

From

Society
Reference
Address
Phone
Fax
E-mail

Item n° :

103002684

Model :

NOVA 180 M-A SV

Pump data

Free passage : 5 mm
Pressure rating :
Min. fluid temperature : 0 °C
Max. fluid temperature : 35 °C
Max. Ambient temperature : 40 °C

Requested data

Flow :
Head :
Fluid : Water
Fluid Temperature : 20 °C
Density : 998,3 kg/m³
Kinematic viscosity : 1,005 mm²/s
Vapor pressure :

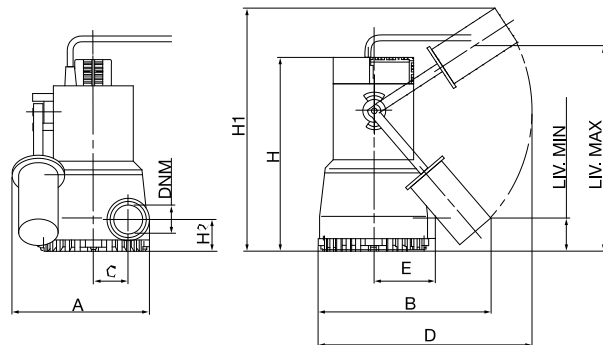
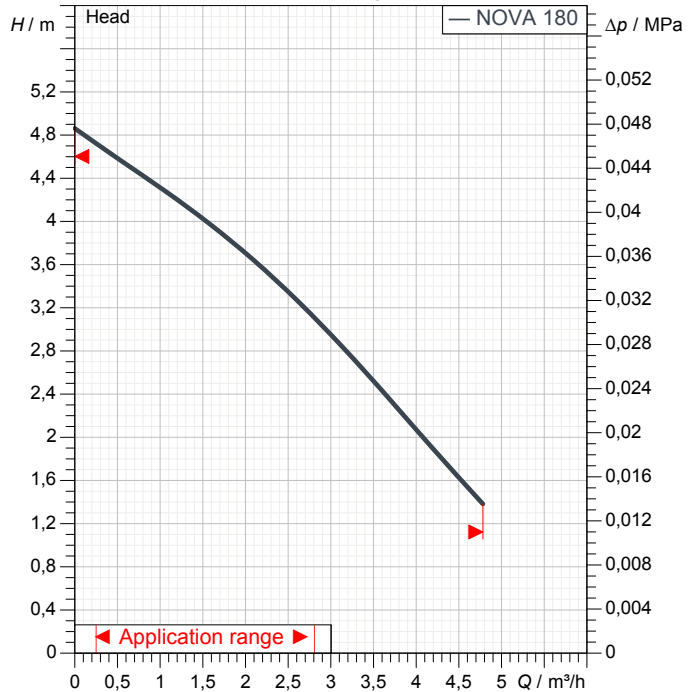
Hydraulic data (duty point)

Flow :
Head :

Materials

Pump body Technopolymer
Impeller Technopolymer
OR ring NBR Rubber
Motor top body AISI 304 X5 Cr Ni 1810 UNI 6900/71
Rotor shaft AISI 431
Seeger ring 12E - UNI 7435 STAINLESS
Suction strainer Technopolymer

Curve tolerance according to ISO 9906



Motor data

Motor brand : DAB
Nominal power P2 : 0,2 kW
Rated speed : 2900 1/min
Rated voltage : 1~ 220-240 V 50 Hz
Nominal current : 0,9 A
Degree of protection : IP 68

Weight : 4,6 kg

Dimensions in mm

Dimension	Value	Dimension	Value
A	181	H2	38
B	235	LIV MAX	277
C	46	LIV MIN	77
D	296		
DNM	1" 1/4 G		
E	82		
H	253		
H1	345		

Pump connection

Suction side : /
Discharge side : 1" 1/4 G / --



PERFORMANCE CURVES

2019-01-21

Page 2 / 3

DAB PUMPS S.p.A.
Via Marco Polo, 14 - 35035 Mestrino (PD), Italy
Tel. +39 049 5125000 - Fax +39 049 5125950
www.dabpumps.com

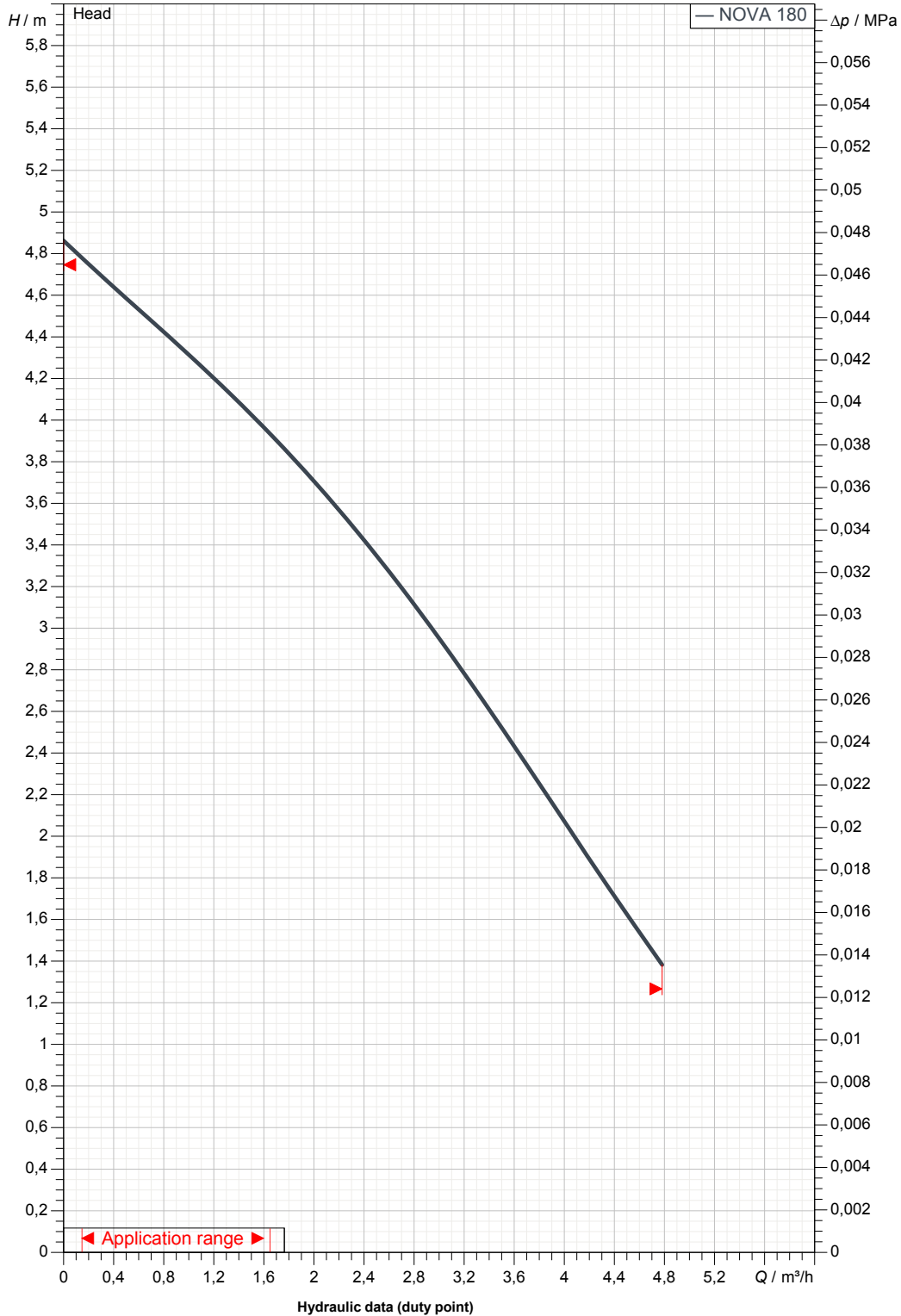
Receiver

From

Society
Reference
Address
Phone
Fax
E-mail

NOVA 180 M-A SV

Curve tolerance according to ISO 9906



Suction side :

Discharge side :
1" 1/4 G
--

Flow :

Head :

Rated speed :
2900 1/min

MAIN_PROJECT_TITLE

BUSINESS_PROCESS_IT

OWNER_

ISSUE_DATE

Untitled project 2019-01-21 15:10:13.860

21/01/2019



DIMENSIONAL DRAWING

2019-01-21

Page 3 / 3

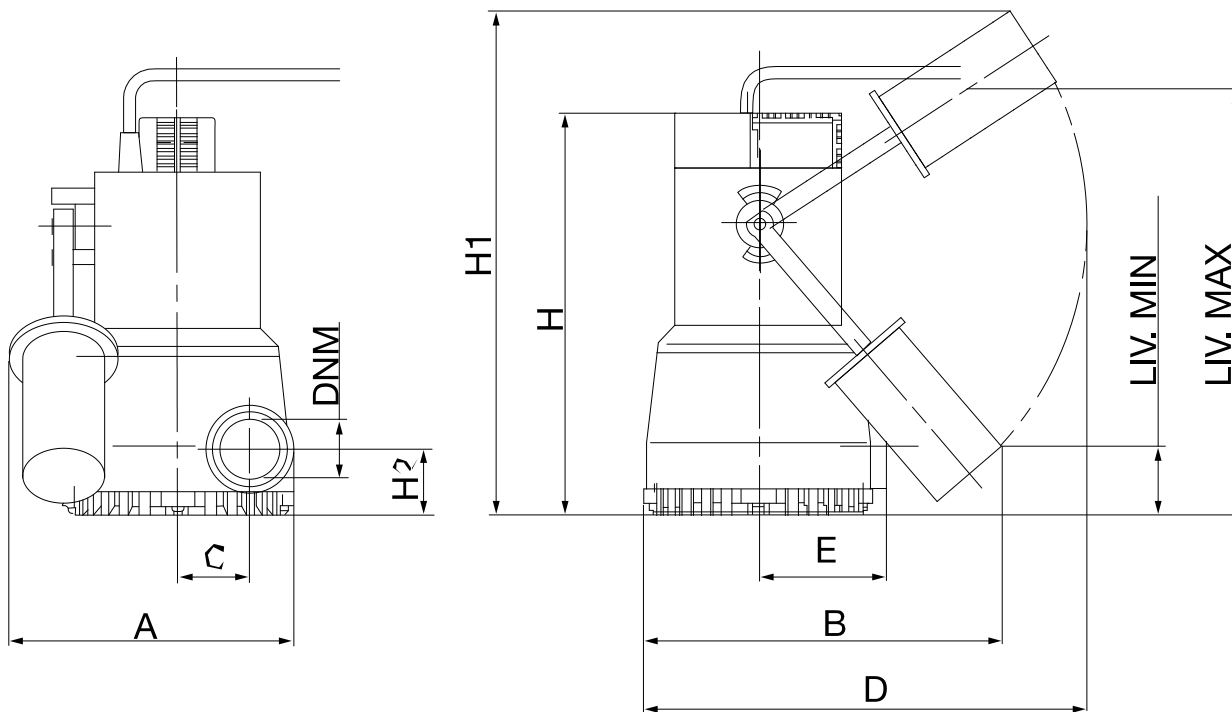
DAB PUMPS S.p.A.
Via Marco Polo, 14 - 35035 Mestrino (PD), Italy
Tel. +39 049 5125000 - Fax +39 049 5125950
www.dabpumps.com

Receiver

From

Society
Reference
Address
Phone
Fax
E-mail

NOVA 180 M-A SV



Dimensions in mm

Pump connection

1	A	181
2	B	235
3	C	46
4	D	296
5	DNM	1" 1/4 G
6	E	82
7	H	253
8	H1	345
9	H2	38
10	LIV MAX	277
11	LIV MIN	77

Suction

Discharge
1" 1/4 G

--

MAIN_PROJECT_TITLE

BUSINESS_PROCESS_ID

OWNER_

ISSUE_DATE

Untitled project 2019-01-21 15:10:13.860

21/01/2019