

**Receiver**

**From**

Society  
Reference  
Address  
Phone  
Fax  
E-mail

**Item n° :**

103002724

**Model :**

NOVA 300 M-A SV

**Pump data**

Free passage : 10 mm

Pressure rating :

Min. fluid temperature : 0 °C

Max. fluid temperature : 35 °C

Max. Ambient temperature : 40 °C

**Requested data**

Flow :

Head :

Fluid : Water

Fluid Temperature : 20 °C

Density : 998,3 kg/m³

Kinematic viscosity : 1,005 mm²/s

Vapor pressure :

**Hydraulic data (duty point)**

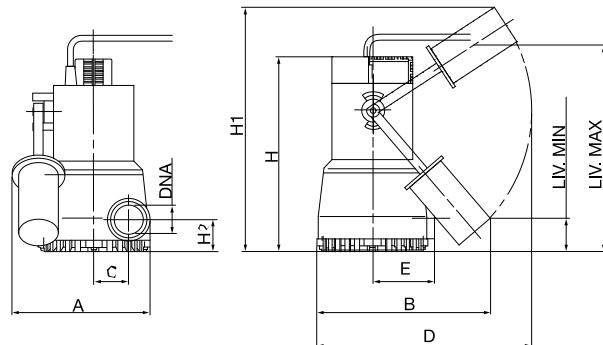
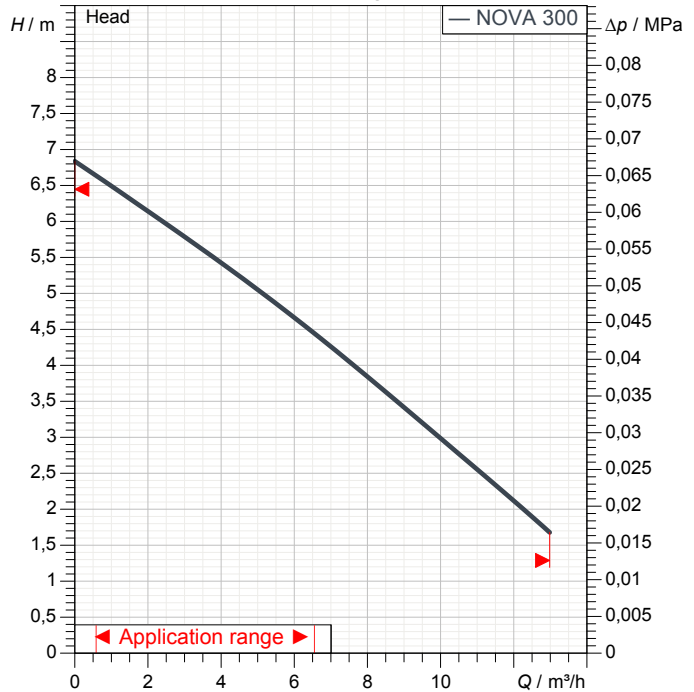
Flow :

Head :

**Materials**

Pump body	Technopolymer
Impeller	Technopolymer
OR ring	NBR Rubber
Motor top body	AISI 304 X5 Cr Ni 1810 UNI 6900/71
Rotor shaft	AISI 431
Seeger ring	12E - UNI 7435 STAINLESS
Suction strainer	Technopolymer

**Curve tolerance according to ISO 9906**



**Motor data**

**Weight :** 4,6 kg

Motor brand :	DAB	
Nominal power P2 :	0,22 kW	
Rated speed :	2850 1/min	
Rated voltage :	1~ 220-240 V	50 Hz
Nominal current :	1,5 A	
Degree of protection :	IP 68	

**Dimensions in mm**

A	181	H2	47
B	235	LIV MAX	285
C	46	LIV MIN	85
D	296		
DNM	1" 1/4 G		
E	82		
H	262		
H1	354		

**Pump connection**

Suction side : /  
Discharge side : 1" 1/4 G / --



# PERFORMANCE CURVES

2019-01-21

Page 2 / 3

DAB PUMPS S.p.A.  
Via Marco Polo, 14 - 35035 Mestrino (PD), Italy  
Tel. +39 049 5125000 - Fax +39 049 5125950  
www.dabpumps.com

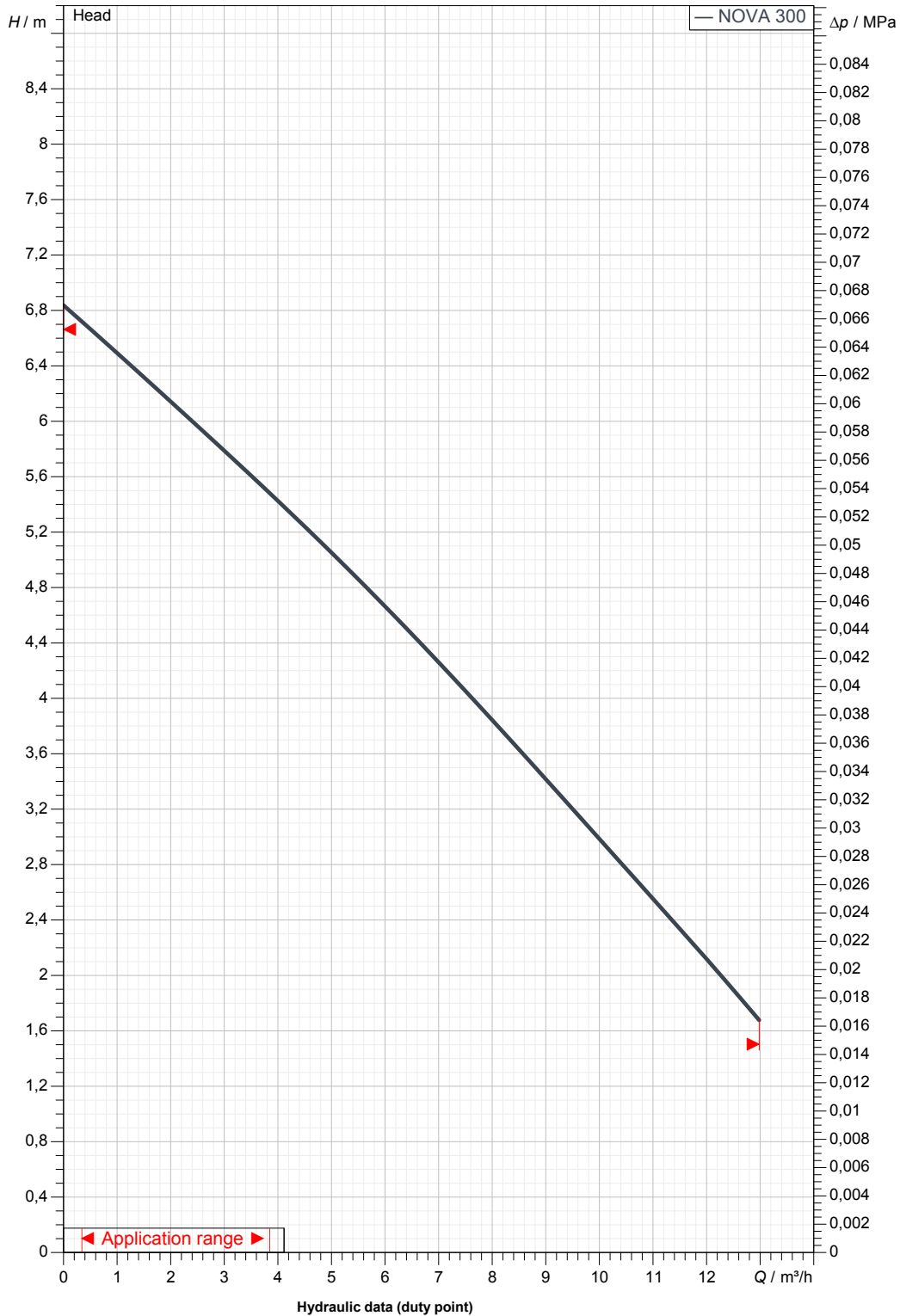
Receiver

From

Society  
Reference  
Address  
Phone  
Fax  
E-mail

## NOVA 300 M-A SV

Curve tolerance according to ISO 9906



Suction side :

Discharge side :  
1" 1/4 G  
--

Flow :

Head :

Rated speed :  
2850 1/min

MAIN\_PROJECT\_TITLE

BUSINESS\_PROCESS\_IT

OWNER\_

ISSUE\_DATE

Untitled project 2019-01-21 15:10:13.860

21/01/2019



# DIMENSIONAL DRAWING

2019-01-21

Page 3 / 3

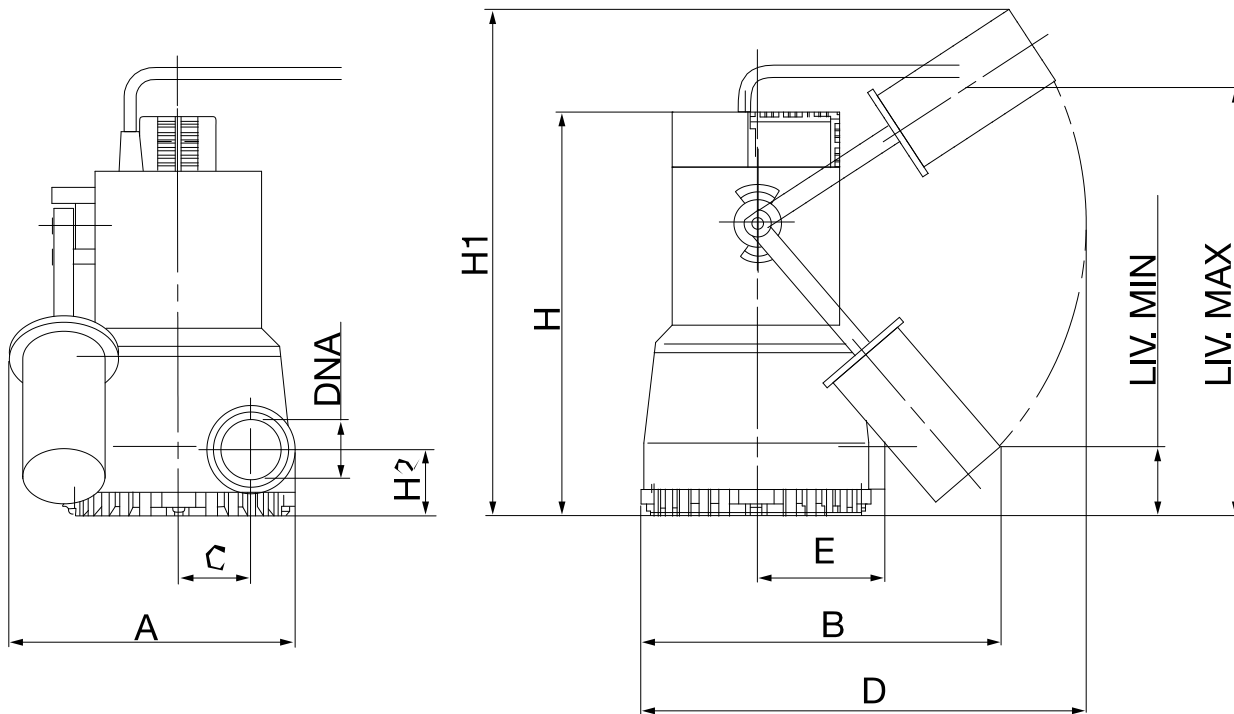
DAB PUMPS S.p.A.  
Via Marco Polo, 14 - 35035 Mestrino (PD), Italy  
Tel. +39 049 5125000 - Fax +39 049 5125950  
www.dabpumps.com

Receiver

From

Society  
Reference  
Address  
Phone  
Fax  
E-mail

## NOVA 300 M-A SV



Dimensions in mm			Pump connection			
1	A	181				Suction
2	B	235				
3	C	46				
4	D	296				
5	DNM	1" 1/4 G				Discharge 1" 1/4 G --
6	E	82				
7	H	262				
8	H1	354				
9	H2	47				
10	LIV MAX	285				
11	LIV MIN	85				

MAIN_PROJECT_TITLE	BUSINESS_PROCESS_ID	OWNER_	ISSUE_DATE
	Untitled project 2019-01-21 15:10:13.860		21/01/2019