

Customer	Date	2017-02-14
Contact	Project	
Phone number	Project no.	
Email		

10HM07S30T5RVBE

104604851

Operating data

Pump type	Single head pump	Fluid	Water, pure
No. of pumps / Reserve	1 / 0	Operating temperature t A	°C 4
Nominal flow	l/s 0	pH-value at t A	7
Nominal head	m 0	Density at t A	kg/m ³ 1000
Static head	m 0	Kin. viscosity at t A	mm ² /s 1.569
Inlet pressure	kPa 0	Vapor pressure at t A	kPa 100
Environmental temperature	°C 20	Solids	0
Available system NPSH	m 0	Altitude	m 1000

Pump data

Make	Lowara	Nominal	l/s ()
Speed	rpm 2900	Flow	Max- l/s 3.9
Number of stages	7		Min- l/s
Max. casing pressure	kPa	Nominal	m
Max. working pressure	kPa 831.9	Head	at Qmax m 42.4
Head H(Q=0)	m 85		at Qmin m 84.8
Weight	kg 30	Shaft power	kW ()
	Max. mm 73	Max. shaft power	kW 2.6
Impeller R	designed mm 73	Efficiency	%
	Min. mm 73	NPSH 3%	m

Pump Materials

Adapter	Aluminium
Diffuser and upper spacer	Stainless steel
Fill / drain plugs	Stainless steel
Head	Stainless steel
Impeller	Stainless steel 304
Outer sleeve	Stainless steel
Seal casing	Stainless steel
Shaft	Stainless steel
Shaft sleeve and bushing	Tungsten carbide
Tie rods	Stainless steel
Wear ring	Technopolymer
Ring with foot	Aluminium

Shaft Seal

Mechanical Seal	Roten
HM - uniten	
Rotating Assembly	V-Ceramic
Fixed Assembly	B-Resin impregnated carbon
Elastomers	E - EPDM
Springs	G-AISI 316
Other Components	G-AISI 316

Motor data

Manufacturer	Lowara	Electric voltage	400 V	Speed	2895 rpm	Insulation class	F
Specific design	IE3 Three phase surface motor - e-HM			Frame size	56	Colour	RAL 5010
Type	PLM90HM../330 E3	Electric current	6.33 A	Weight	0 kg		
Rated power	3 kW	Degree of protection	IP 55				

Remarks:

Customer	Date	2017-02-14
Contact	Project	
Phone number	Project no.	
Email		

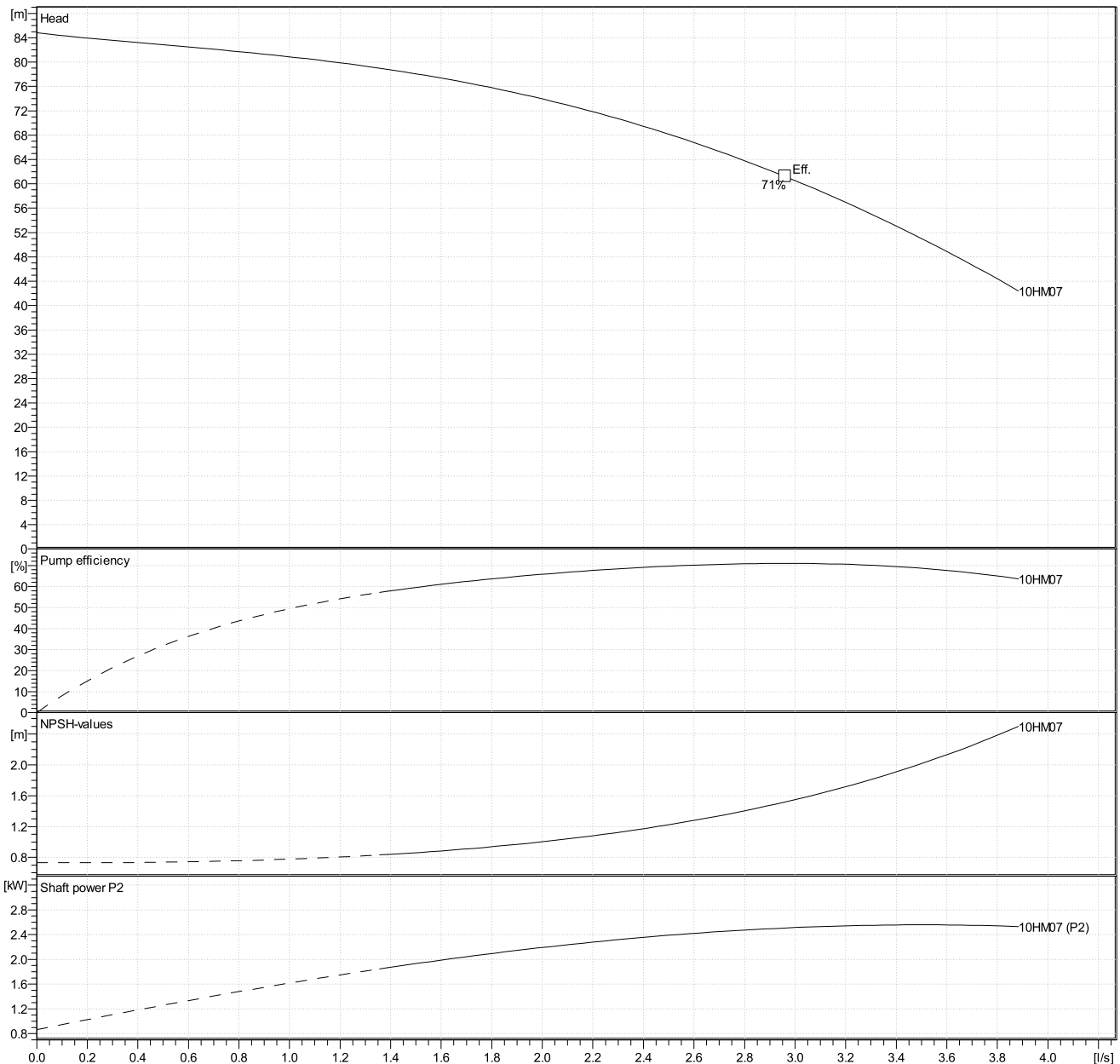
10HM07S30T5RVBE

104604851

Hydraulic Data

Operating Data Specification		Hydraulic data (duty point)		Impeller design	
Flow	0 l/s	Flow		Impeller R	73 mm
Head	0 m	Head		Frequency	50 Hz
Static head	0 m			Speed	2900 rpm

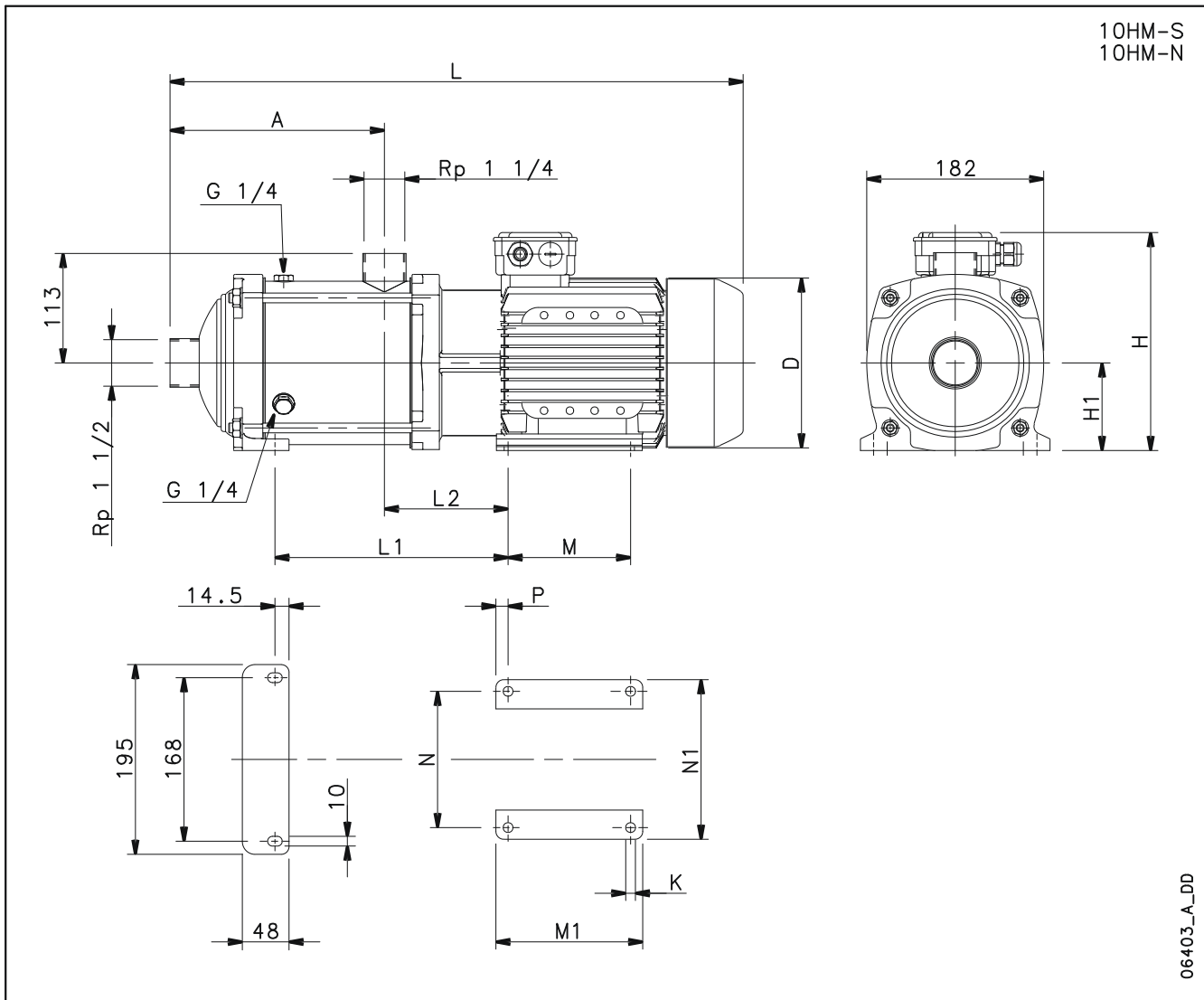
Power data referred to:
 Water, pure [100%] ; 4°C; 1000kg/m³; 1.57mm²/s
 Performance according to ISO 9906 - Annex A



Customer	Date	2017-02-14
Contact	Project	
Phone number	Project no.	
Email		

10HM07S30T5RVBE
104604851

Drawing



Dimensions mm

A	253	M1	150			Weight 30 kg
D	174	N	140			
H	224	N1	164			
H1	90	P	12.5			
K	K_3	PN	10			
L	627					
L1	272					
L2	128					
M	125					