

# Technical data

Pump name

CMR 0.75 M

Customer	Date	2021-05-12	Company
Contact	Item no.		Issued by
Phone	Project		Phone
E-mail	Project ID		E-mail

## Requested data

1	Pump type	CENTRIFUGAL PUMPS	Fluid	Water
2	Number of pumps / Reserve	1 / 0	Liquid temperature	°C 20
3	Flow m <sup>3</sup> /h		Kin. viscosity	cSt 1.005
4	Head m		Vapour pressure	kPa 2.34
5	Geodetic head m		PH value	
6	Inlet pressure (pin) kPa	0	Density	kg/m <sup>3</sup> 998.3
7	Available system NPSH		Solids	Weight % 0
8	Ambient temperature °C	20		

## Pump

9	Pump name	CMR 0.75 M	Frequency	Hz 50
10	Design	CENTRIFUGAL PUMPS	Installation type	STANDARD
11	Manufacturer	EBARA	Impeller Diameter	Max. mm 114
12	Speed rpm	2800		Designed mm 114
13	No. of Stage	1		Min. mm 114
14	Connection Suction side	UNI ISO 228	Flow	Operating m <sup>3</sup> /h
15	Connection Discharge side	UNI ISO 228		Max- m <sup>3</sup> /h 15
16	Max Working Pressure kPa	600		Min- m <sup>3</sup> /h 3
17	Shut-off head kPa	151.80	Head	Operating m
18	Total weight kg	See the table of "Dimensions".		- (Qmax.) m 6.3
19	Shaft power kW			- (Qmin.) m 13.6
20			Max. Shaft Power at max. impeller	kW
21	Required pump NPSH m		Efficiency	%

## Materials

22	Impeller	Brass		
23	Casing	Cast iron		
24	Shaft	AISI 303 (wet extension)		
25				
26				
27				

## Motor

28	Manufacturer	EPE Standard	Insulation class	F
29	Type	TEFC_CM R 0.75 M_230_Single Phase	Phases	1~
30	Specific design	- / 50 Hz / Pole pairs 1	Frame size	
31	Rated power kW	0.55	Weight	kg
32	Number of poles	2	Electric voltage	V 230
33	Speed rpm	2800	Electric current	A 3.8
34	Degree of protection	IP 44		
35				

## Remarks

# Performance curve

Pump name

CMR 0.75 M

Customer	Date 2021-05-12	Company
Contact	Item no.	Issued by
Phone	Project	Phone
E-mail	Project ID	E-mail

## Requested data

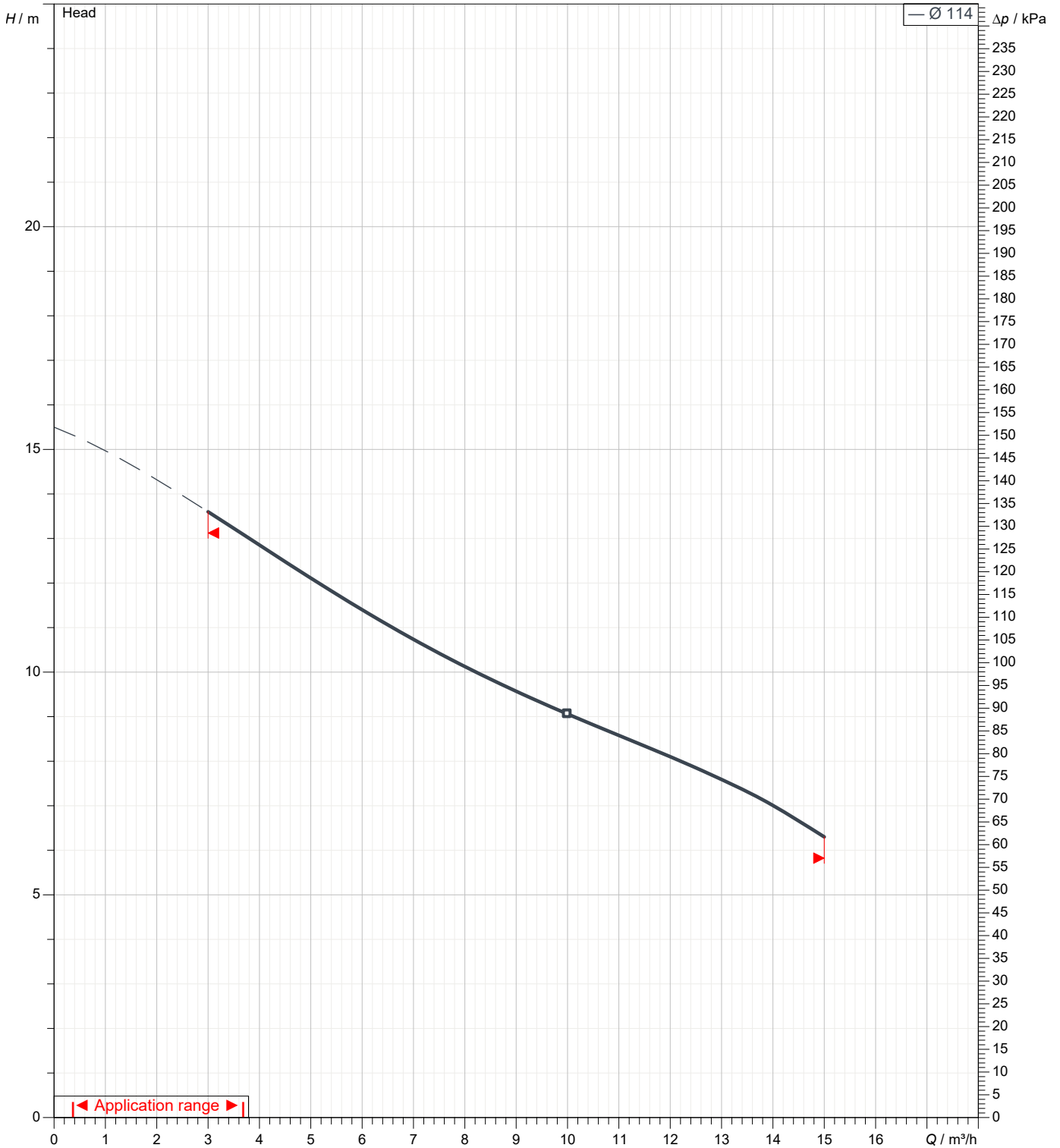
1	Flow	m <sup>3</sup> /h	
2	Head	m	
3	Geodetic head	m	

## Pump

Operating Flow	m <sup>3</sup> /h	Frequency	Hz	50
Operating Head	m	Number of poles	2	
ImpellerDiameter Designed	mm	114	Speed	rpm 2800

Test standard: ISO 9906:2012 - Grade3B

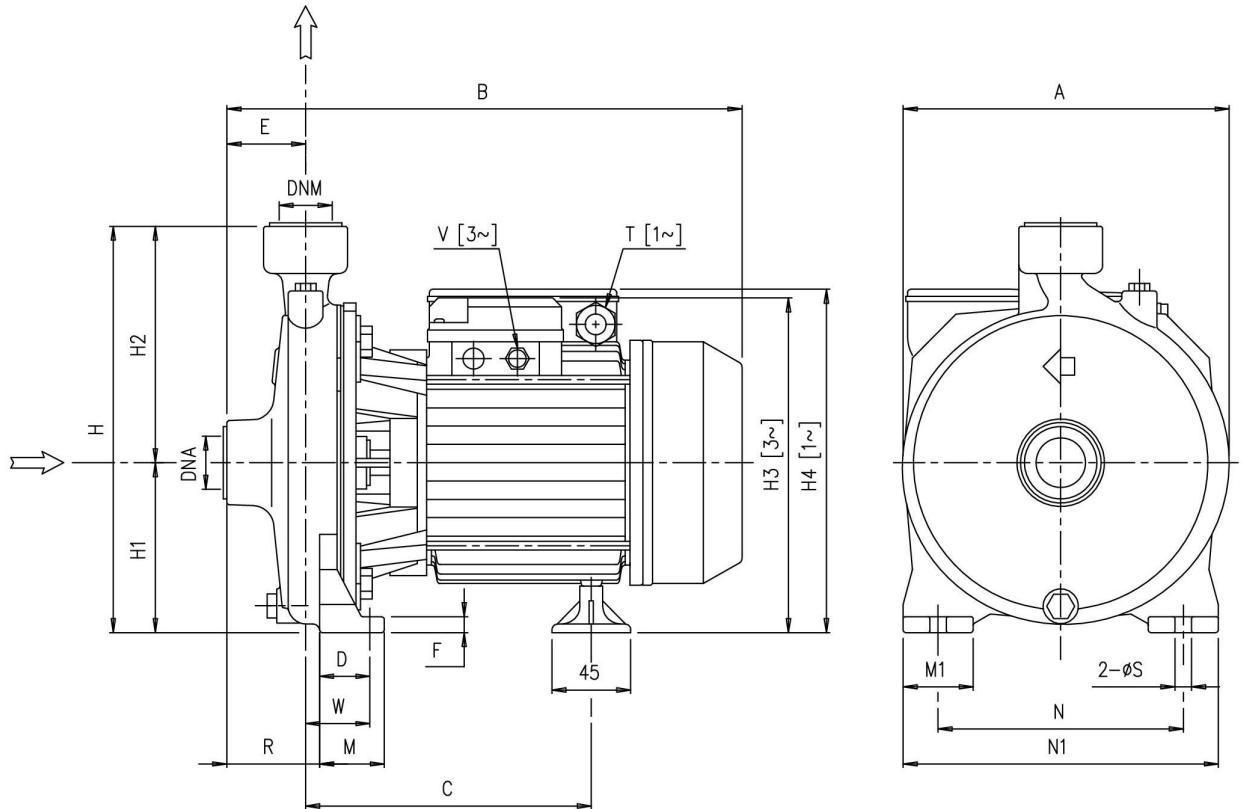
Water; 20°C; 998.3kg/m<sup>3</sup>; 1cSt



# Dimensions

Pump name **CMR 0.75 M**

Customer	Date 2021-05-12	Company
Contact	Item no.	Issued by
Phone	Project	Phone
E-mail	Project ID	E-mail



[1~] Single phase  
[3~] Three phase

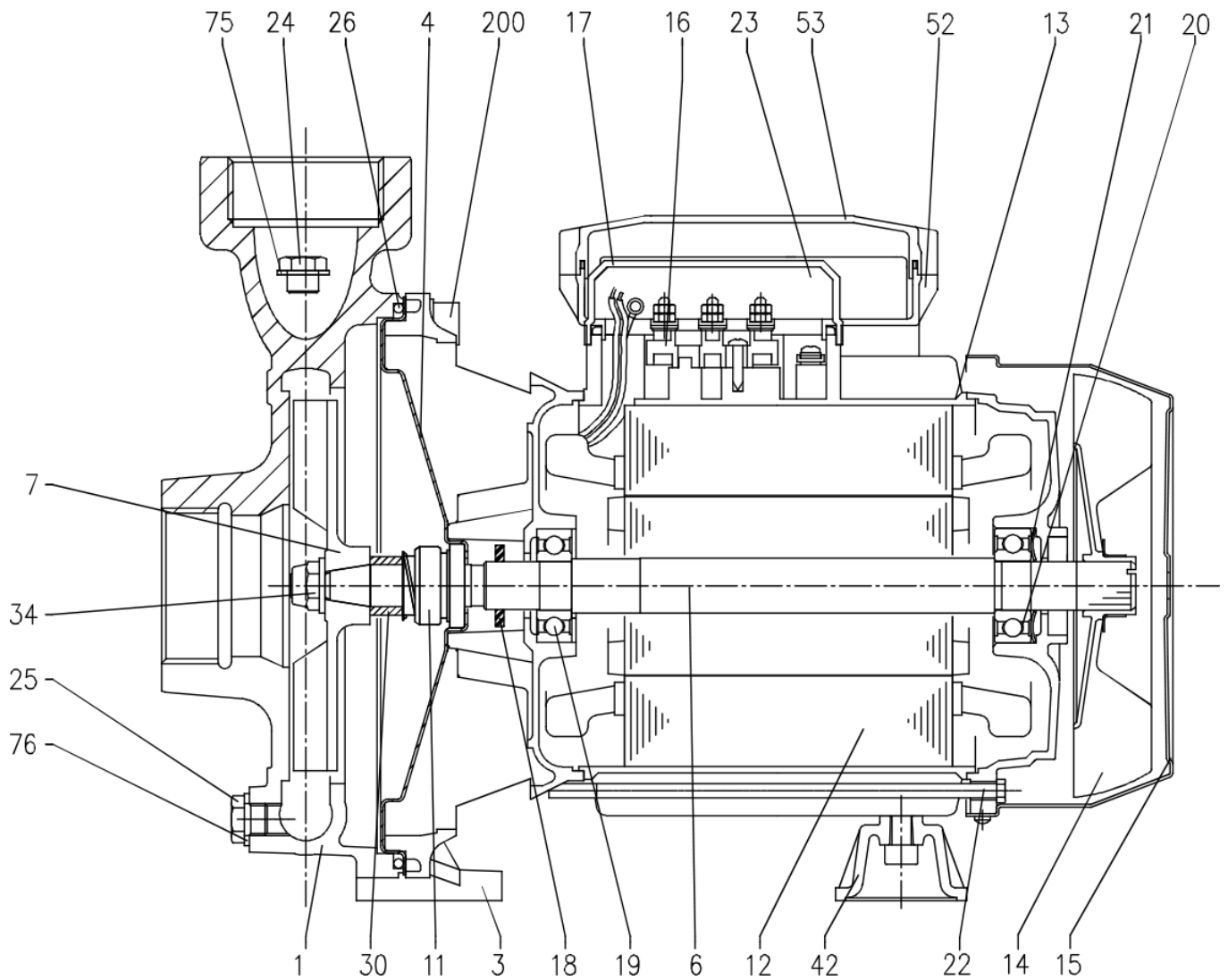
Dimensions in		mm						
1	A	180	N1	180				
2	B	310	R	61				
3	C	182	S	10				
4	D	37	T	PG 11				
5	DNA	G 1 1/2	W	52				
6	DNM	G 1 1/2	Weight P&M	10,7 kg				
7	E	45						
8	F	9						
9	H	229						
10	H1	97						
11	H2	132						
12	H4	198						
13	M	45						
14	M1	40						
15	N	140						

(1/3)

# Construction

Pump name **CMR 0.75 M**

Customer	Date 2021-05-12	Company
Contact	Item no.	Issued by
Phone	Project	Phone
E-mail	Project ID	E-mail



(2/3)

## Construction

Pump name CMR 0.75 M

Customer	Date 2021-05-12	Company
Contact	Item no.	Issued by
Phone	Project	Phone
E-mail	Project ID	E-mail

N°	PART NAME	MATERIAL	Q.TY
1	Casing	Cast iron	1
3	Motor bracket	Aluminium	1
4	Casing cover	AISI 304	1
6	Shaft with rotor	AISI 303 (wet extension)	1
7	Impeller	Brass	1
11	Mechanical seal [3]	Carbon/Ceramic/NBR	1
12	Motor frame with stator	-	1
13	Motor cover [1]	Aluminium	1
14	Fan	PP	1
15	Fan cover	Fe P04 Zincate	1
16	Terminal box	-	1
17	Terminal box cover [1]	Aluminium	1
18	Splash ring	NBR	1
19	Pump side ball bearing	-	1
20	Fan side ball bearing	-	1
21	Adjusting ring	Steel C70	1
22	Tie rod	Fe 42 Zincate	4
23	Capacitor [2]	-	1
24	Priming plug	Brass	1
25	Drain plug	Brass	1
26	O-ring	NBR	1
30	Mechanical seal spacer	Brass	1
34	Impeller nut	AISI 304	1
42	Foot	PP	1
52	Capacitor box [2]	ABS class V-0	1
53	Capacitor box cover with gasket [2]	ABS class V-0 + NBR	1
75	Washer	Aluminium	1
76	Washer	Aluminium	1
200	Screw	Zn Steel Cl. 8.8 ISO 898-1	4

[1] Three phase

[2] Single phase

[3] See **CONSTRUCTION 3**

**(3/3)**

# Construction

**Pump name**    **CMR 0.75 M**

---

Customer	Date    2021-05-12	Company
Contact	Item no.	Issued by
Phone	Project	Phone
E-mail	Project ID	E-mail