

# Technical data

Pump name **SWT 200 M**

Customer	Date 2021-05-12	Company
Contact	Item no.	Issued by
Phone	Project	Phone
E-mail	Project ID	E-mail

## Requested data

1	Pump type	CENTRIFUGAL PUMPS FOR POOLS	Fluid	Water
2	Number of pumps / Reserve	1 / 0	Liquid temperature	°C 20
3	Flow	m³/h	Kin. viscosity	cSt 1.005
4	Head	m	Vapour pressure	kPa 2.34
5	Geodetic head	m	PH value	
6	Inlet pressure (pin)	kPa 0	Density	kg/m³ 998.3
7	Available system NPSH		Solids	Weight % 0
8	Ambient temperature	°C 20		

## Pump

9	Pump name	SWT 200 M	Frequency	Hz 50
10	Design	CENTRIFUGAL PUMPS FOR POOLS	Installation type	STANDARD
11	Manufacturer	EBARA	Impeller Diameter	Max. mm 0
12	Speed	rpm 2900		Designed mm
13	No. of Stage	1		Min. mm 0
14	Connection Suction side	Female thread 2" (Kit PV063 included)	Flow	Operating m³/h
15	Connection Discharge side	Female thread 2" (Kit PV063 included)		Max- m³/h 29
16	Max Working Pressure	kPa		Min- m³/h 0.96
17	Shut-off head	kPa 191.71	Head	Operating m
18	Total weight	kg See the table of "Dimensions".		- (Qmax.) m 4.3
19	Shaft power	kW		- (Qmin.) m 19.8
20	Max. fluid temperature	°C 40	Max. Shaft Power at max. impeller	kW 1.63
21	Required pump NPSH	m	Efficiency	%

## Materials

22	Pump body	Polypropylene reinforced with glass fibre	Opening key	Polypropylene reinforced with glass fibre
23	Pump Body Lid	Polypropylene reinforced with glass fibre		
24	Diffuser	Polypropylene reinforced with glass fibre		
25	Impeller	Noryl		
26	Mechanicals seal	Carbon / Ceramic / Stainless Steel AISI 316		
27	Shaft	Stainless Steel AISI 316		

## Motor

28	Manufacturer	EPE Standard	Insulation class	F
29	Type	SWT 200 M_230_Single Phase	Phases	1~
30	Specific design	- / 50 Hz / Pole pairs 1	Frame size	
31	Rated power	kW 1.5	Weight	kg
32	Number of poles	2	Electric voltage	V 230
33	Speed	rpm 2900	Electric current	A 9.2
34	Degree of protection	IP 55		
35				

## Remarks

# Performance curve

Pump name **SWT 200 M**

Customer	Date 2021-05-12	Company
Contact	Item no.	Issued by
Phone	Project	Phone
E-mail	Project ID	E-mail

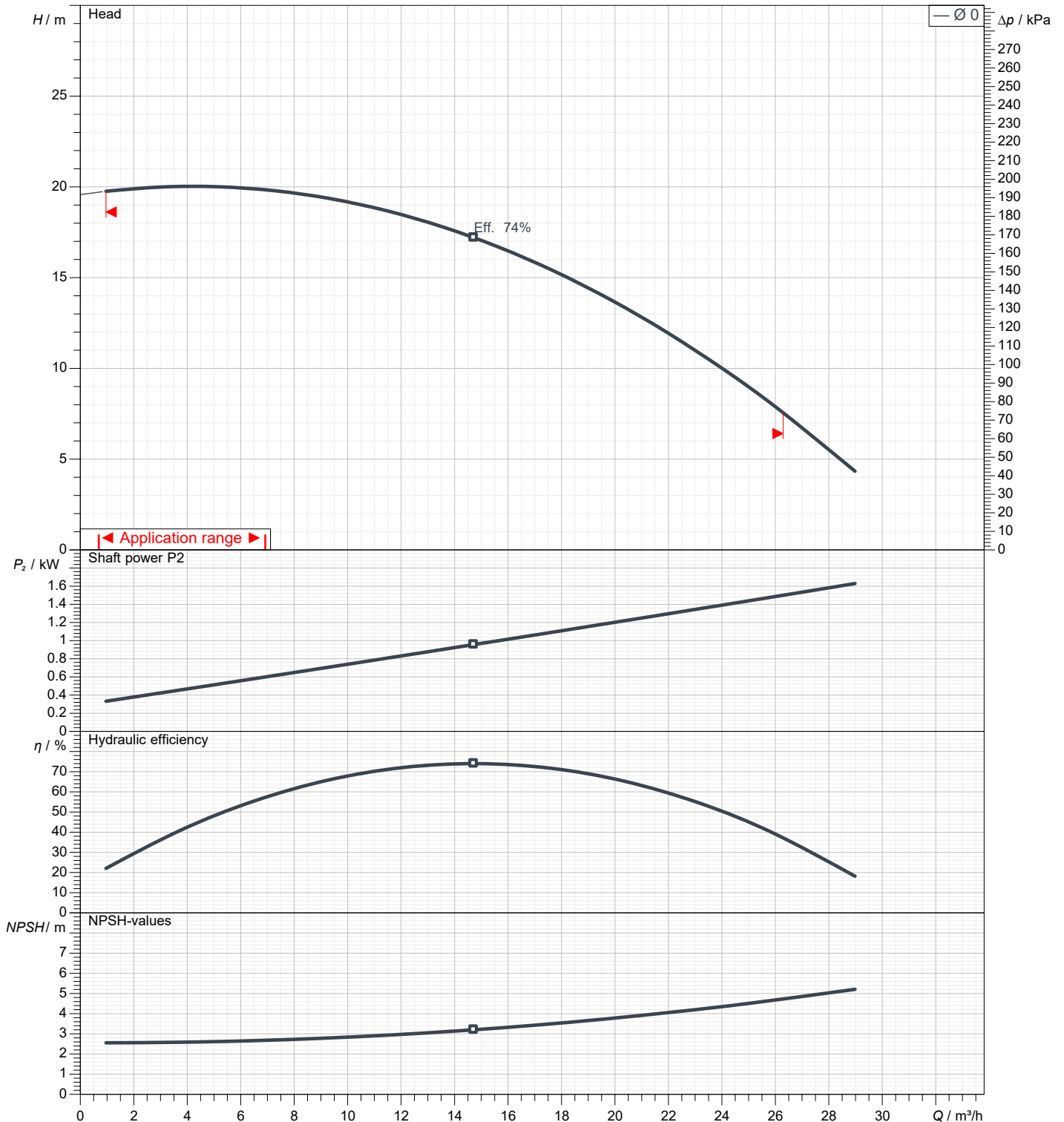
## Requested data

1	Flow	m <sup>3</sup> /h	
2	Head	m	
3	Geodetic head	m	

## Pump

Operating Flow	m <sup>3</sup> /h	Impeller Diameter Designed	mm
Operating Head	m	Frequency	Hz 50
		Speed	rpm 2900

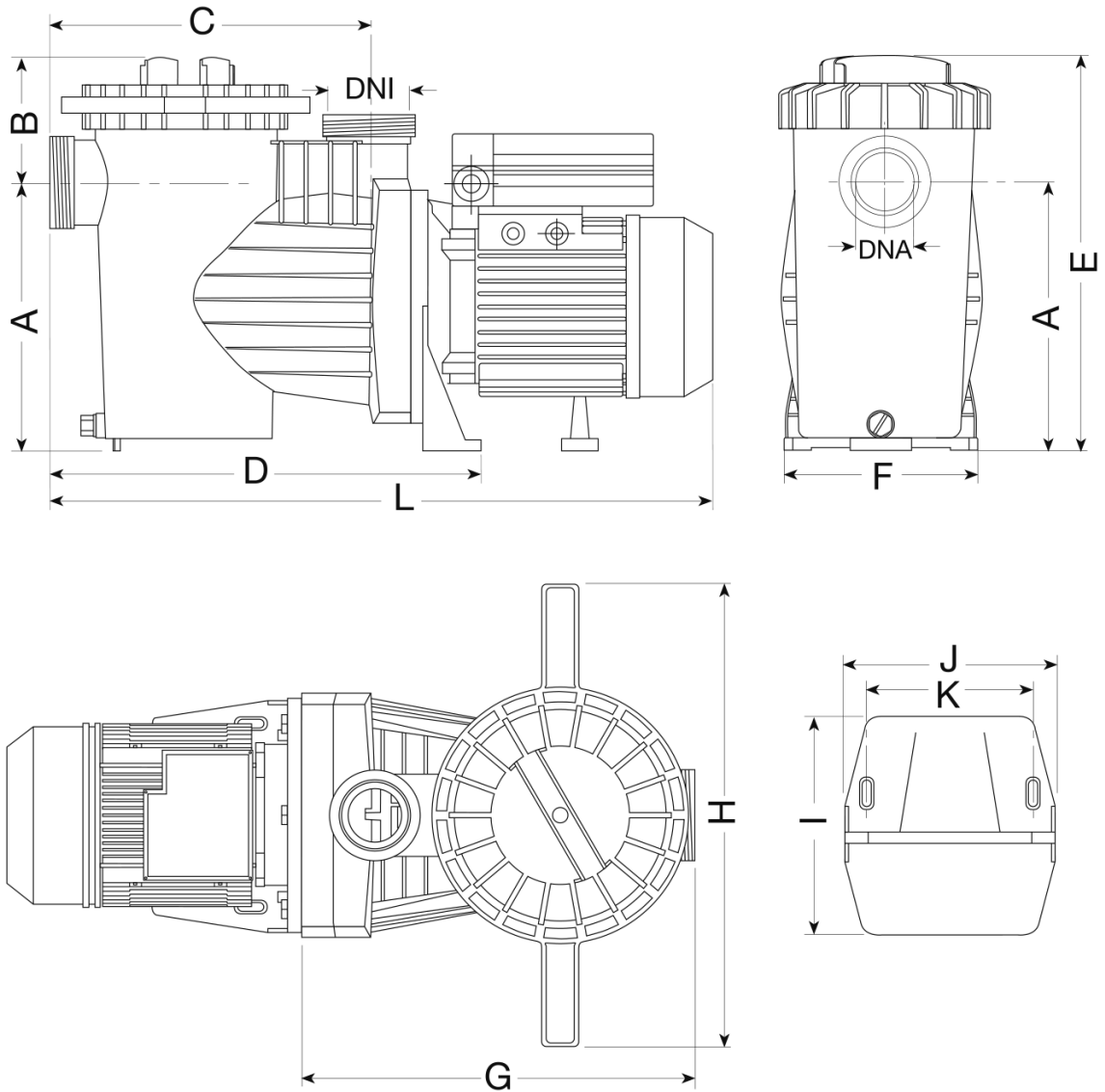
Water; 20°C; 998.3kg/m<sup>3</sup>; 1cSt



# Dimensions

Pump name **SWT 200 M**

Customer	Date 2021-05-12	Company
Contact	Item no.	Issued by
Phone	Project	Phone
E-mail	Project ID	E-mail



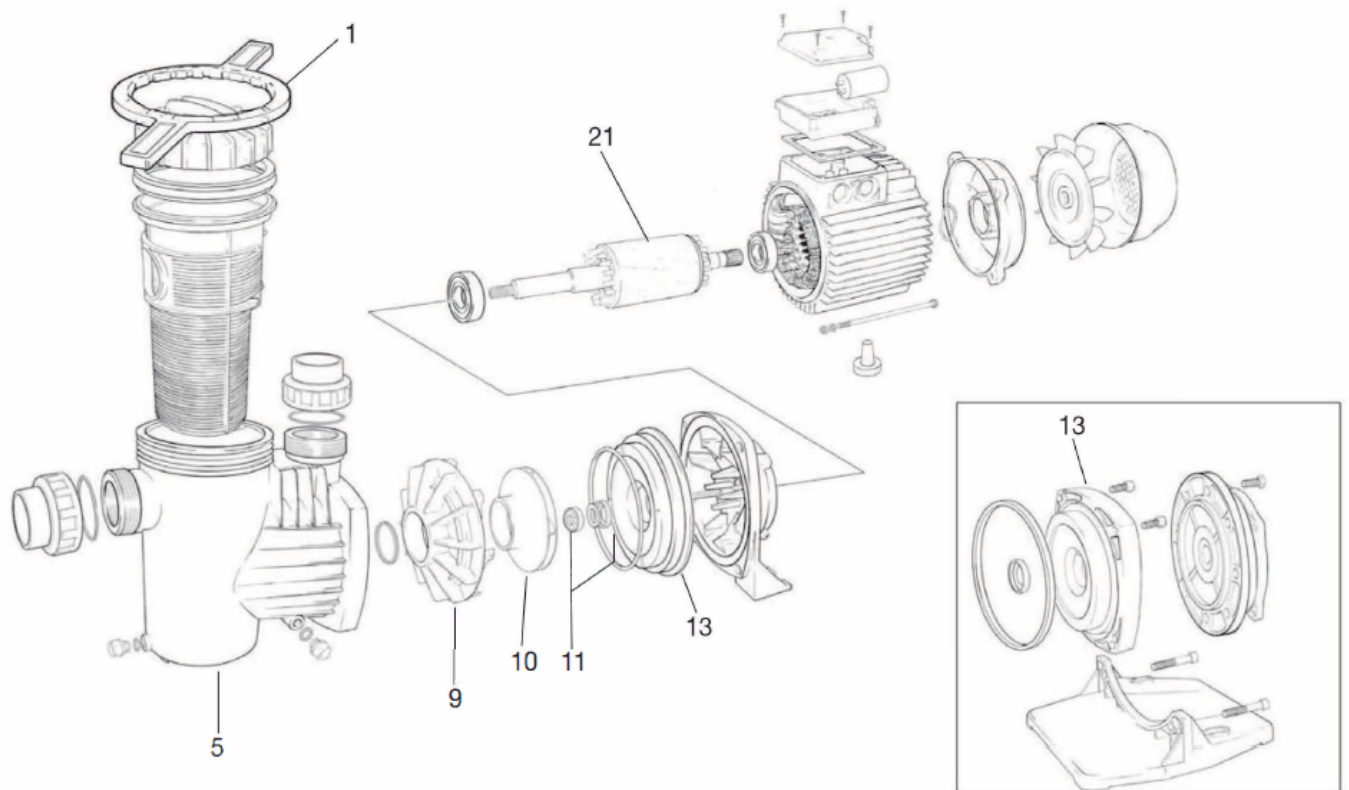
Dimensions in		mm						
1	A	216						
2	B	109						
3	C	265						
4	D	370						
5	DNA	2"						
6	DNI	2"						
7	E	325						
8	F	206						
9	G	325						
10	H	400						
11	I	220						
12	J	205						
13	K	160						
14	L	580						
15	Weight P&M	17,1 kg						

(1/1)

# Construction

Pump name **SWT 200 M**

Customer	Date 2021-05-12	Company
Contact	Item no.	Issued by
Phone	Project	Phone
E-mail	Project ID	E-mail



N°	PART NAME	MATERIAL
1	Key	Polypropylene reinforced with glass fibre
5	Pump body	Polypropylene reinforced with glass fibre
9	Diffuser	Polypropylene reinforced with glass fibre
10	Impeller	Noryl
11	Mechanical seal	Carbon / Ceramic / Stainless Steel AISI 316
13	Pump body lid	Polypropylene reinforced with glass fibre
21	Shaft with motor	Stainless Steel AISI 316