

Technical Data

Pump Name

MULTIGO 80/12

Customer	Date	2023-04-26	Company
Contact	Item no.		Issued by
Phone	Project		Phone
E-mail	Project ID		E-mail

Requested data

1	Pump type	MULTISTAGE CENTRIFUGAL PUMPS	Fluid	Water
2	Number of pumps / Reserve	1 / 0	Liquid temperature	°C
3	Flow	m³/h	Kin. viscosity	cSt
4	Head	m	Vapour pressure	kPa
5	Geodetic head	m	PH value	
6	Inlet pressure (pin)	kPa	Density	kg/m³
7	Available system NPSH		Solids	Weight %
8	Ambient temperature	°C		

Pump

9	Pump Name	MULTIGO 80/12	Frequency	Hz	50	
10	Design	MULTISTAGE CENTRIFUGAL PUMPS	Installation type		STANDARD	
11	Manufacturer	EBARA	Impeller Diameter	Max.	mm	
12	Speed	rpm		2800	Designed	mm
13	No. of Stage	4		Min.	mm	102
14	Connection	Suction side	UNI ISO 228	Flow	Operating	m³/h
15	Connection	Discharge side	UNI ISO 228		Max-	m³/h
16	Max. Working Pressure	kPa	1000		Min-	m³/h
17	Shut-off head	kPa	485.77	Head	Operating	m
18	Total weight	kg	See the table of "Dimensions".		- (Qmax.)	m
19	Shaft power	kW			- (Qmin.)	m
20			Max. Shaft Power at max. impeller	kW	0.95	
21	Required pump NPSH	m	Efficiency	%		

Materials

22	Impeller	PPE+PS Glass fibre reinforced		
23	Casing	AISI 304		
24	Shaft	AISI 431		
25				
26				
27				

Motor

28	Manufacturer	EPE Standard	Insulation class	F	
29	Type	MULTIGO 80/12_230_Single Phase	Phases	1~	
30	Specific design	Submersible dry type / 50 Hz / Pole pairs 1	Frame size		
31	Rated power	kW	0.9	Weight	kg
32	Number of poles	2	Electric voltage	V	230
33	Speed	rpm	2800	Electric current	A
34	Degree of protection	IP 68			
35					

Remarks

Performance Curve

Pump Name

MULTIGO 80/12

Customer	Date	2023-04-26	Company
Contact	Item no.		Issued by
Phone	Project		Phone
E-mail	Project ID		E-mail

Requested data

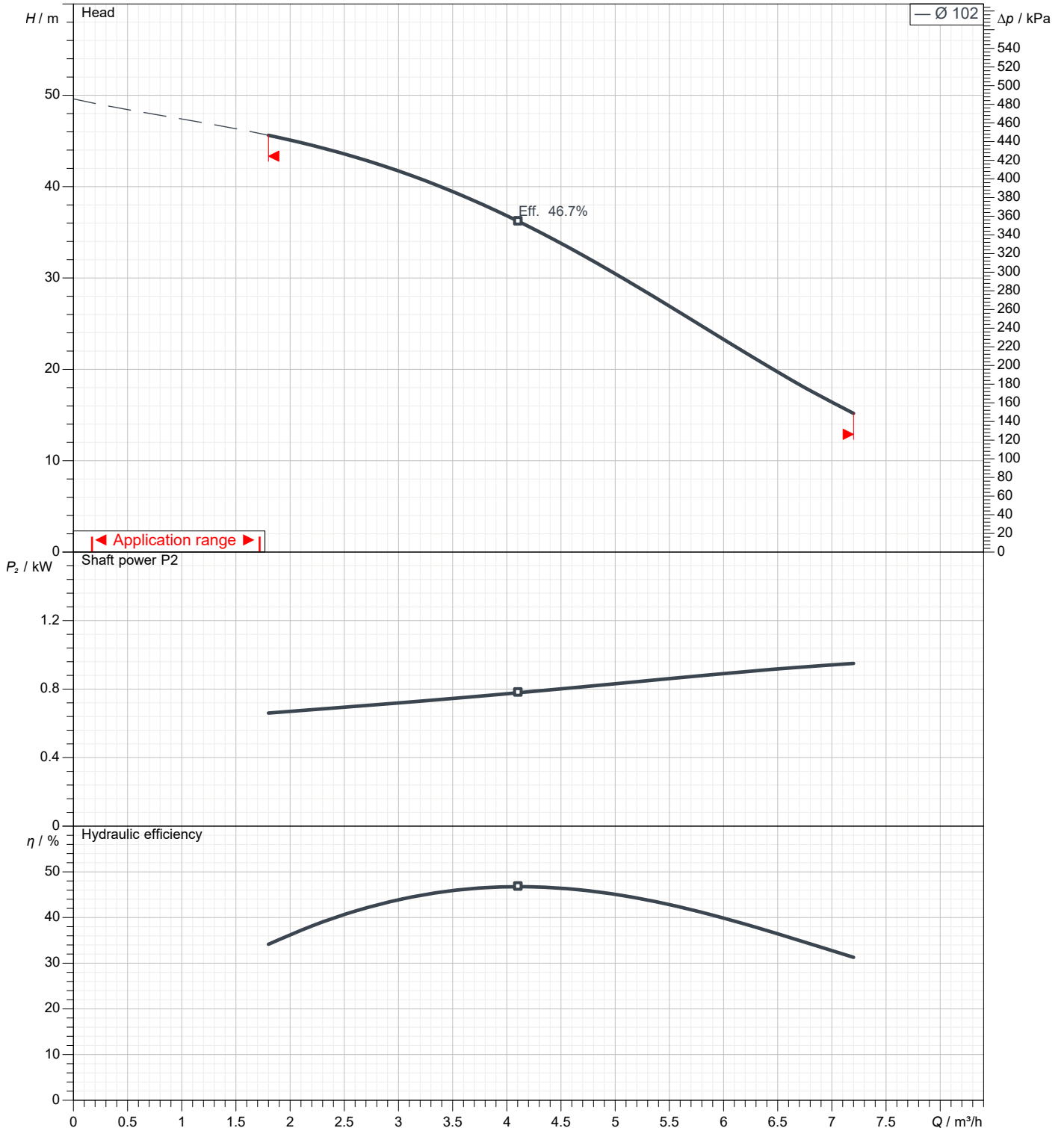
1	Flow	m³/h	
2	Head	m	
3	Geodetic head	m	

Pump

Operating Flow	m³/h		Frequency	Hz	50
Operating Head	m		Number of poles		2
Impeller diameter designed	mm	102	Speed	rpm	2800

Test standard: ISO 9906:2012 - Grade3B

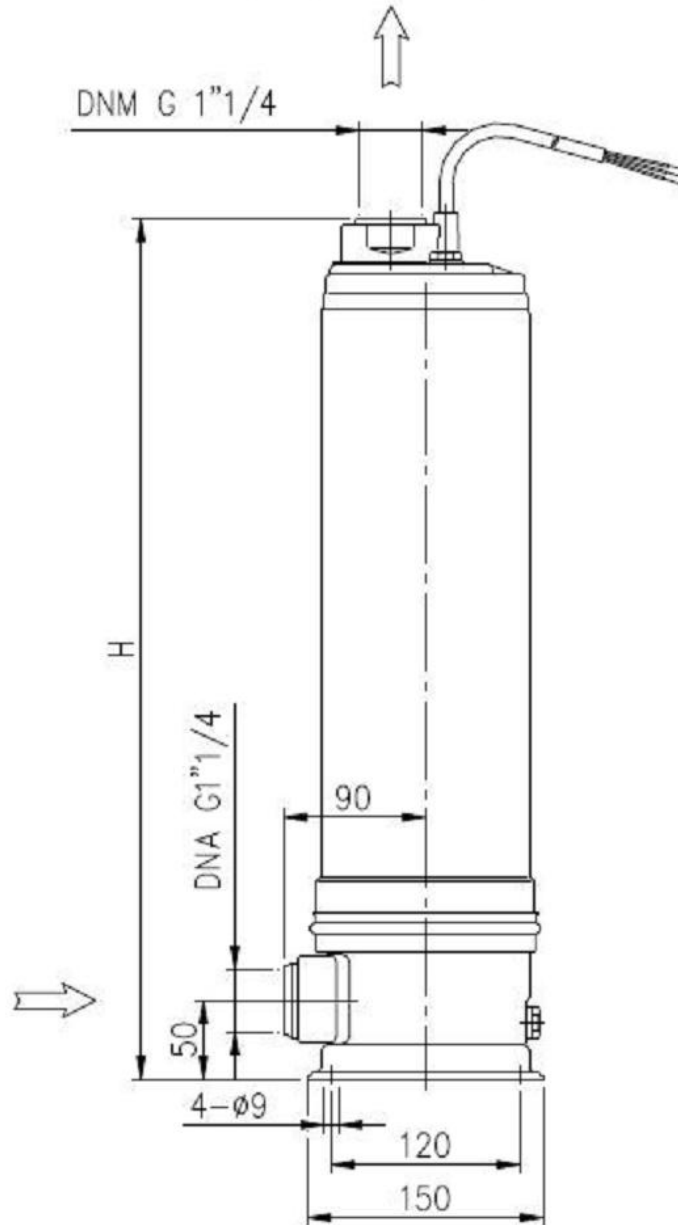
Water; 20°C; 998.3kg/m³; 1cSt



Dimensions

Pump name MULTIGO 80/12

Customer	Date 2023-04-26	Company
Contact	Item no.	Issued by
Phone	Project	Phone
E-mail	Project ID	E-mail



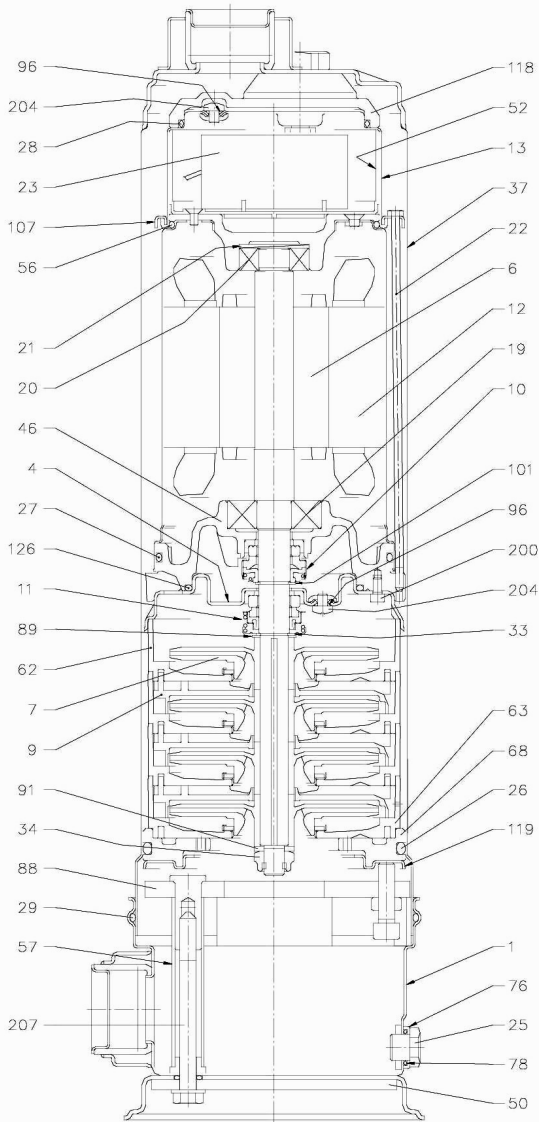
Dimensions in		mm						
1	H	578						
2	Weight P&M	14,4 kg						
3								
4								
5								
6								
7								
8								
9								
10								
11								
12								
13								
14								
15								

(1/4)

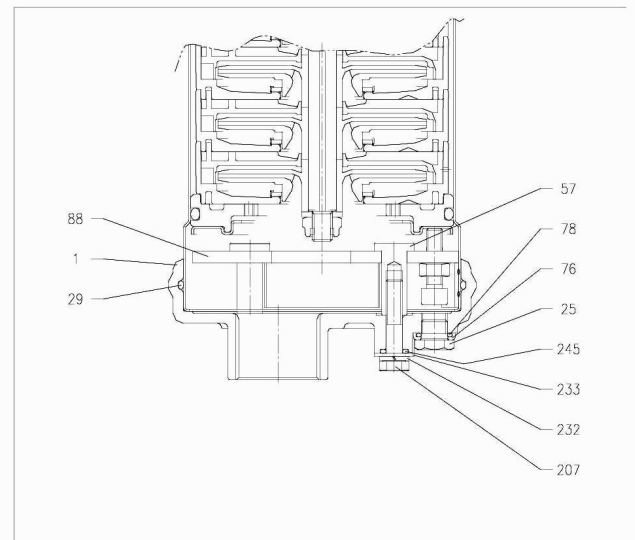
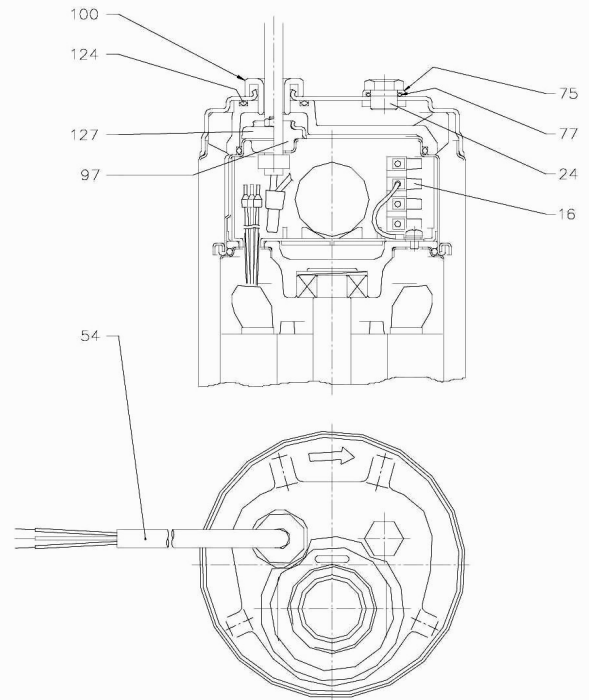
Construction

Pump name MULTIGO 80/12

Customer	Date 2023-04-26	Company
Contact	Item no.	Issued by
Phone	Project	Phone
E-mail	Project ID	E-mail



STANDARD VERSION



N-LINE VERSION E

(2/4)**Construction****Pump name MULTIGO 80/12**

Customer	Date	2023-04-26	Company
Contact	Item no.		Issued by
Phone	Project		Phone
E-mail	Project ID		E-mail

N°	PART NAME	MATERIAL	DIMENSIONS	STANDARD	Q.TY
1	Casing	EN 1.4301 (AISI 304)			1
4	Casing ring	EN 1.4301 (AISI 304)			1
6	Shaft with rotor	EN 1.4057 (AISI 431)			1
7	Impeller	PPE+PS Glass fibre reinforced			[3]
9	Diffuser	PPE+PS Glass fibre reinforced			[3]
10	Motor side mechanical seal [2]	Carbon/Ceramic/NBR			[3]
11	Pump side mechanical seal [2]	Carbon/Ceramic/NBR			[3]
12	Motor frame with stator	-			1
13	Motor cover	EN 1.4301 (AISI 304)			1
16	Terminal	-			1
19	Lower side ball bearing	-	6303 ZZ		1
20	Upper side ball bearing	-	6302 ZZ		1
21	Adjusting ring	Steel C70			1
22	Tie rod	EN 1.4305 (AISI 303)	M4		3
23	Capacitor [1]	-			1
24	Header plug	EN 1.4305 (AISI 303)	G 1/4"		1
25	Drain plug	EN 1.4305 (AISI 303)	G 1/4"		1
26	O ring	NBR	Ø 120.7X5.34	OR 201	1
27	O ring	NBR	Ø 110.7X3.53	OR 4437	1
28	O ring	NBR	Ø 88.5X3.53	OR 4350	1
29	O ring	NBR	Ø 138X3.5		1
33	Seeger ring	EN 1.4301 (AISI 304)	Ø 14	JIS B2804-1978	1
34	Impeller nut	EN 1.4301 (AISI 304)	M10x1.25	U7474	1
37	External pump casing	EN 1.4301 (AISI 304)			1
46	Bearing housing	Brass			1
50	Casing support	EN 1.4301 (AISI 304)			1
52	Terminal insulating box	PA66 glass fibre reinforced			1
54	Power cable	-			1
56	O ring	NBR	Ø 98.02x3.53	OR 4387	1
57	Bolt	EN 1.4305 (AISI 303)			2
62	Stage housing	PPE+PS Glass fibre reinforced			[3]
63	Stage housing with hall	PPE+PS Glass fibre reinforced			1
68	Lower spacer	PPE+PS Glass fibre reinforced			1
75	Washer	EN 1.4301 (AISI 304)	G 1/4"		1
76	Washer	EN 1.4301 (AISI 304)	G 1/4"		1
77	O ring	NBR	Ø 13.1x2.62	OR 117	1
78	O ring	NBR	Ø 13.1x2.62	OR 117	1
88	Retainer ring	EN 1.4301 (AISI 304)			1
89	Washer	EN 1.4301 (AISI 304)	Ø 14.1x22x1		1
91	Washer	EN 1.4301 (AISI 304)	Ø 10.2x20x2.5		1
96	O ring	NBR	Ø 4.48x1.78	OR 2018	3
97	Cable entry	NBR	Ø 16.5x20		1
100	Lock screw	EN 1.4305 (AISI 303)			1
101	Seeger ring	EN 1.4021 (AISI 420)	Ø 15	U7435	1
107	Retainer ring	EN 1.4301 (AISI 304)	Ø119X1.2		1
118	Upper spacer	Brass			1
119	Flange	EN 1.4301 (AISI 304)			1
124	O ring	NBR	Ø25.8X3.53	OR 134	1
126	O ring	NBR	Ø82.14X3.53	OR 4325	1
127	Cable connector	EN 1.4301 (AISI 304)			1
200	Screw	Stainless steel A2 UNI 7323	M4x8	UNI 5931	3
204	Screw	Stainless steel A2 UNI 7323	M5x6	UNI 7687	3
207	Screw	Stainless steel A2 UNI 7323	M8X80	UNI 5737	4
232	Washer	Stainless steel A2 UNI 7323			4
233	Washer	Stainless steel A2 UNI 7323	Ø8.5x20x2		4
245	O ring	NBR	Ø8x3		4

- [1] Only for single phase
 [2] See **CONSTRUCTION 4**
 [3] See **CONSTRUCTION 3**

(3/4)

Construction

Pump name MULTIGO 80/12

Customer	Date 2023-04-26	Company
Contact	Item no.	Issued by
Phone	Project	Phone
E-mail	Project ID	E-mail

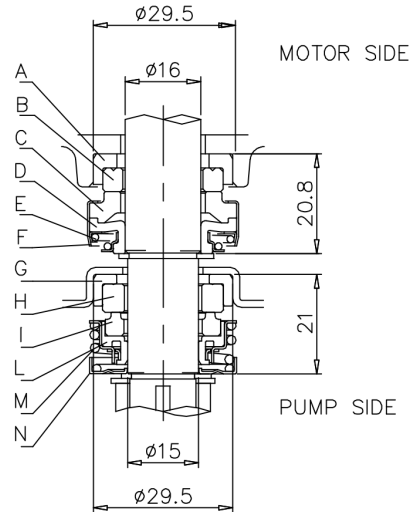
QUANTITY FOR MODEL				
Type pumps	Type pumps	N°7 Impeller	N°9 Diffuser	N°62 Stage housing
MULTIGO 40/08	MULTIGO 40/08 N-LNE	4	3	4
MULTIGO 40/10	MULTIGO 40/10 N-LNE	5	4	5
MULTIGO 40/12	MULTIGO 40/12 N-LNE	6	5	6
MULTIGO 40/15	MULTIGO 40/15 N-LNE	7	6	7
MULTIGO 80/12	MULTIGO 80/12 N-LNE	4	3	4
MULTIGO 80/15	MULTIGO 80/15 N-LNE	5	4	5
MULTIGO 80/20	-	6	5	6

(4/4)

Construction

Pump name MULTIGO 80/12

Customer	Date 2023-04-26	Company
Contact	Item no.	Issued by
Phone	Project	Phone
E-mail	Project ID	E-mail



REF	PART NAME	MATERIAL
A	Rubber seat	NBR
B	Stationary ring	Cearmic
C	Rotary ring	Carbon
D	Rotary seal	NBR
E	Coil spring	AISI 304
F	Seal cover	AISI 304
G	Rubber seat	NBR
H	Stationary ring	Ceramic
I	Rotary ring	Carbon
L	Rotary seal	NBR
M	Coil spring	AISI 304
N	Seal cover	AISI 304