

Qty.	Description
------	-------------

1	<b>SP 215-1-A</b>
---	-------------------



Note! Product picture may differ from actual product

Product No.: On request

Submersible borehole pump, suitable for pumping clean water. Can be installed vertically or horizontally. All steel components are made in stainless steel, EN 1.4301 (AISI 304), that ensures high corrosive resistance. This pump carries drinking water approval.

The pump is fitted with a 15 kW MS6000 motor with sand shield, mechanical shaft seal, water-lubricated journal bearings and a volume compensating diaphragm. The motor is a canned type submersible motor offering good mechanical stability and high efficiency. Suitable for temperatures up to 40 °C.

The motor is fitted with the Grundfos Tempcon sensor that, by use of powerline communication together with a MP204 control panel, enables temperature monitoring.

The motor is for direct-on-line starting (DOL).

**Liquid:**

Pumped liquid:	Water
Liquid max temp:	40 °C
Max liquid t at 0.15 m/sec:	40 °C
Selected liquid temperature:	20 °C
Density:	998.2 kg/m <sup>3</sup>

**Technical:**

Pump speed on which pump data are based:	2900 rpm
Rated flow:	215 m <sup>3</sup> /h
Rated head:	14 m
Shaft seal for motor:	CER/CARNBR
Approvals on nameplate:	CE,GOST2
Curve tolerance:	ISO9906:2012 3B
Motor version:	T40

**Materials:**

Pump:	Stainless steel EN 1.4301 AISI 304
Impeller:	Stainless steel EN 1.4301 AISI 304
Motor:	Stainless steel DIN W.-Nr. 1.4301 AISI 304

**Installation:**

Pump outlet:	RP6
Motor diameter:	6 inch

**Electrical data:**

Motor type:	MS6000
Rated power - P2:	15 kW
Power (P2) required by pump:	15 kW
Mains frequency:	50 Hz



**Company name:** Pump Sales Direct

**Created by:**

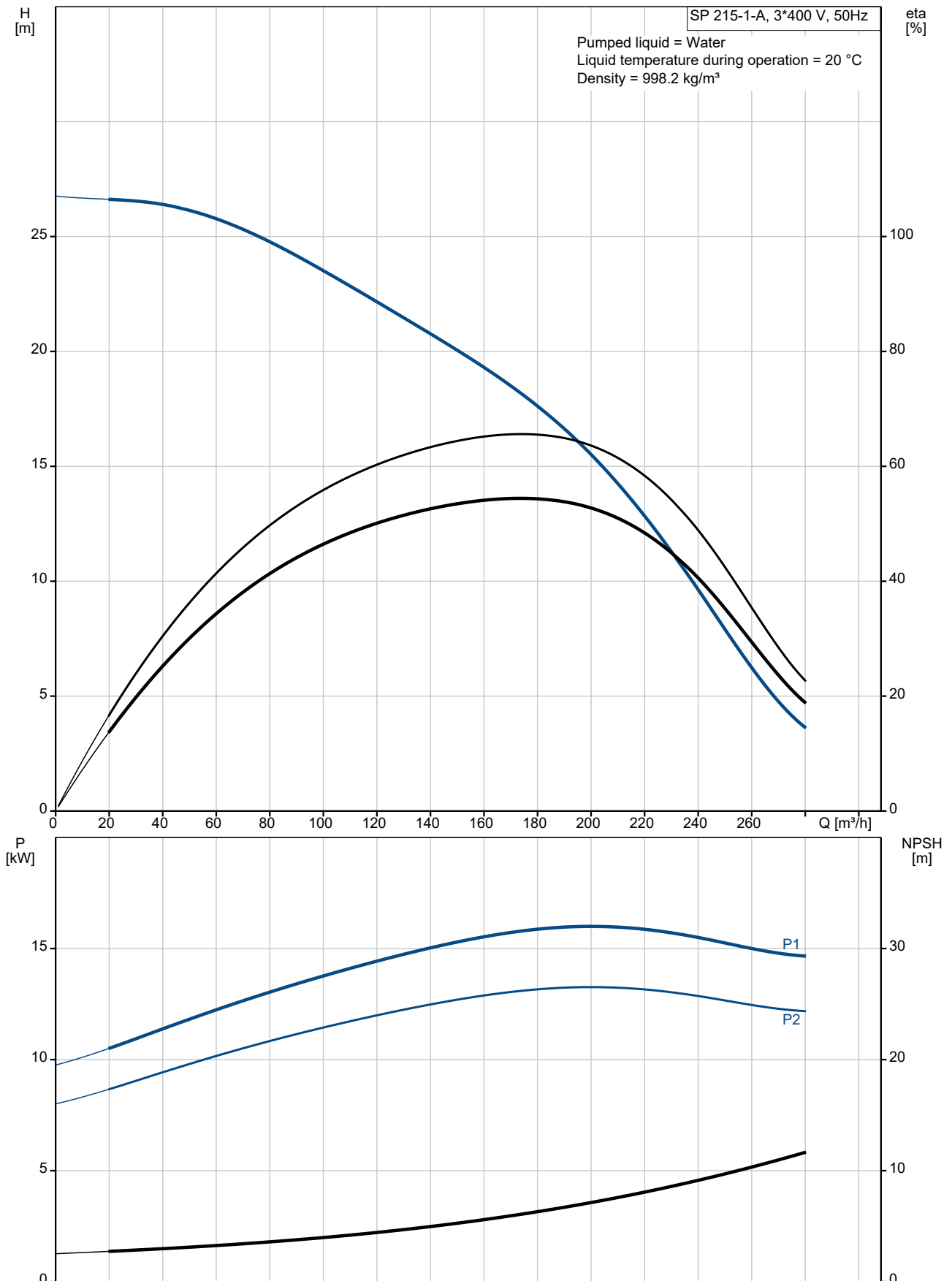
**Phone:** 08000086405

**Email:** customerservices@pumpsalesdirect.co.uk

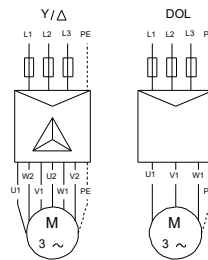
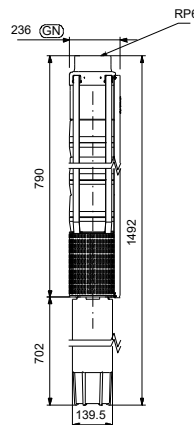
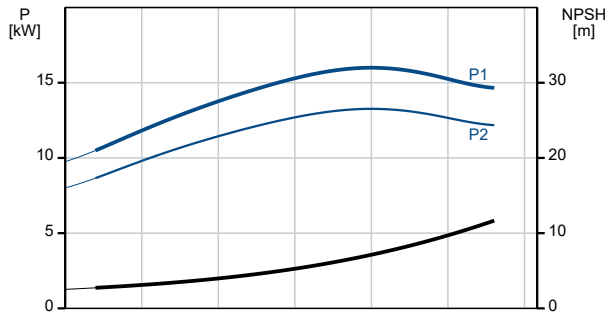
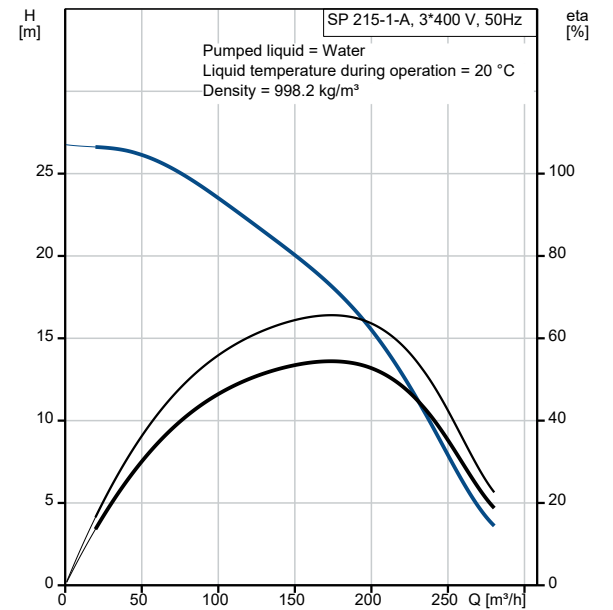
**Date:** 28/07/2022

Qty.	Description
1	<p>Rated voltage: 3 x 380-400-415 V Rated current: 34.5-33.5-33.5 A Starting current: 490-540-570 % Cos phi - power factor: 0.85-0.82-0.79 Rated speed: 2860-2870-2880 rpm Start. method: direct-on-line Enclosure class (IEC 34-5): IP68 Insulation class (IEC 85): F Built-in temp. transmitter: yes Motor No: 78195516 Windings: Enamelled</p> <p>Others: Minimum efficiency index, MEI ≥: -.- ErP status: EuP Standalone/Prod. Net weight: 94.4 kg Gross weight: 120 kg Shipping volume: 0.2 m<sup>3</sup> Danish VVS No.: 388351311 Finnish LVI No.: 4762792 Country of origin: GB Custom tariff no.: 84137029</p>

## On request SP 215-1-A 50 Hz



Description	Value
<b>General information:</b>	
Product name:	SP 215-1-A
Product No:	On request
EAN number:	On request
<b>Technical:</b>	
Pump speed on which pump data are based:	2900 rpm
Rated flow:	215 m <sup>3</sup> /h
Rated head:	14 m
Stages:	1
Impeller reduc.:	A
Shaft seal for motor:	CER/CARNBR
Approvals on nameplate:	CE,GOST2
Curve tolerance:	ISO9906:2012 3B
Model:	C
Valve:	YES
Motor version:	T40
<b>Materials:</b>	
Pump:	Stainless steel
Pump:	EN 1.4301
Pump:	AISI 304
Impeller:	Stainless steel
Impeller:	EN 1.4301
Impeller:	AISI 304
Motor:	Stainless steel
Motor:	DIN W.-Nr. 1.4301
Motor:	AISI 304
<b>Installation:</b>	
Pump outlet:	RP6
Motor diameter:	6 inch
<b>Liquid:</b>	
Pumped liquid:	Water
Liquid max temp:	40 °C
Max liquid t at 0.15 m/sec:	40 °C
Selected liquid temperature:	20 °C
Density:	998.2 kg/m <sup>3</sup>
<b>Electrical data:</b>	
Motor type:	MS6000
Applic. motor:	GRUNDFOS
Rated power - P2:	15 kW
Power (P2) required by pump:	15 kW
Mains frequency:	50 Hz
Rated voltage:	3 x 380-400-415 V
Rated current:	34.5-33.5-33.5 A
Starting current:	490-540-570 %
Cos phi - power factor:	0.85-0.82-0.79
Rated speed:	2860-2870-2880 rpm
Start. method:	direct-on-line
Enclosure class (IEC 34-5):	IP68
Insulation class (IEC 85):	F
Built-in motor protection:	NONE
Thermal protec:	external
Built-in temp. transmitter:	yes
Motor No:	78195516
Windings:	Enamelled
<b>Others:</b>	
Minimum efficiency index, MEI ≥:	---
ErP status:	EuP Standalone/Prod.



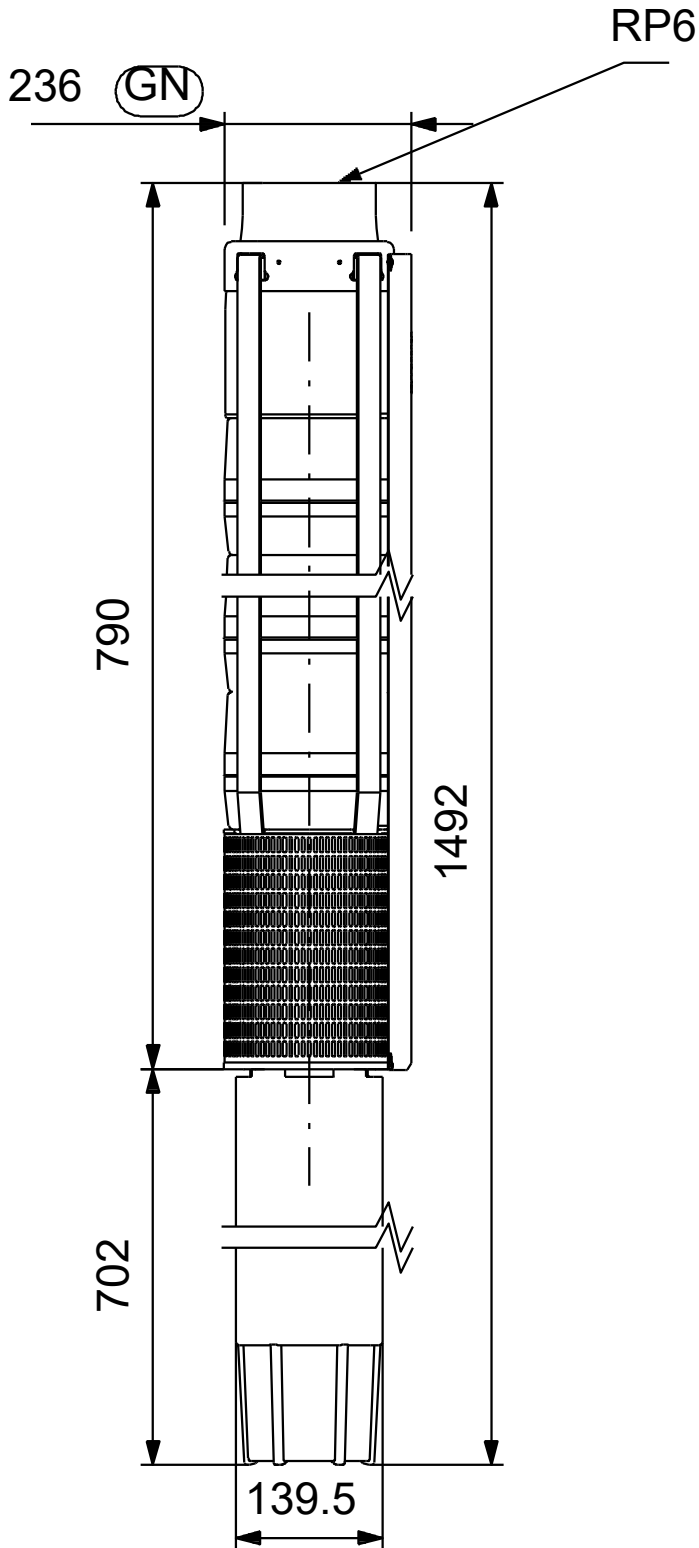
U1, W2	Brown
V1, U2	Black
W1, V2	Grey



**Company name:** Pump Sales Direct  
**Created by:**  
**Phone:** 08000086405  
**Email:** customerservices@pumpsalesdirect.co.uk  
**Date:** 28/07/2022

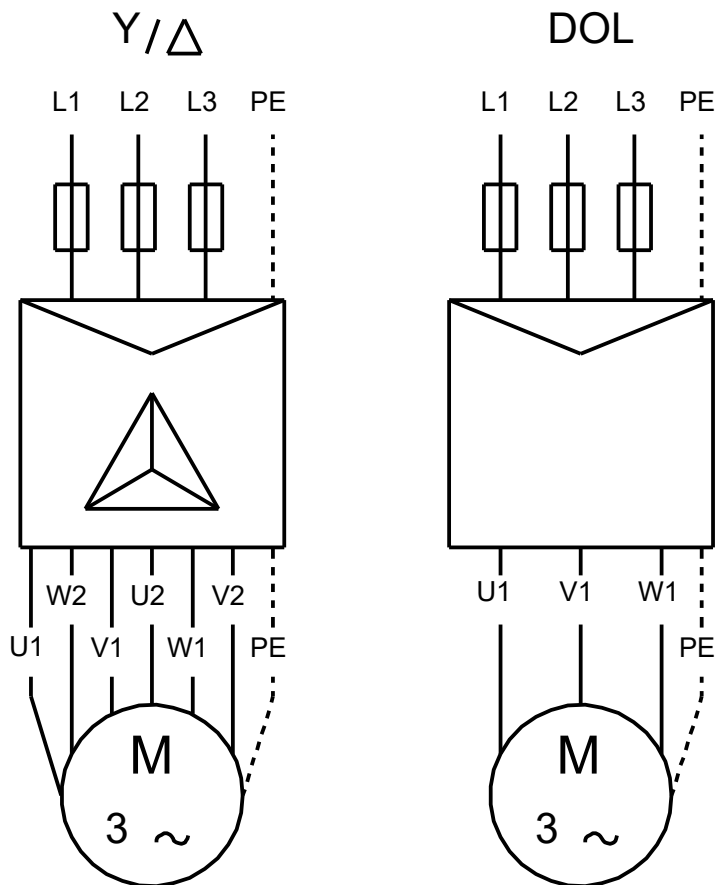
Description	Value
Net weight:	94.4 kg
Gross weight:	120 kg
Shipping volume:	0.2 m <sup>3</sup>
Danish VVS No.:	388351311
Finnish LVI No.:	4762792
Country of origin:	GB
Custom tariff no.:	84137029

## On request SP 215-1-A 50 Hz



Note! All units are in [mm] unless others are stated.  
Disclaimer: This simplified dimensional drawing does not show all details.

## On request SP 215-1-A 50 Hz



U1, W2	Brown
V1, U2	Black
W1, V2	Grey

Note! All units are in [mm] unless others are stated.

