

## Data sheet: Yonos MAXO 40/0,5-8

### Hydraulic data

Max. volume flow $Q$	18.2 m <sup>3</sup> /h
Max. delivery head $H$	8.00 m
Energy efficiency index (EEI)	0.20

### Motor data

Mains connection	1~230 V ±10%, 50/60 Hz
Power consumption $P_{1 \max}$	305 W
Power consumption $P_{1 \min}$	10 W
Max current $I_{\max}$	1.33 A
Min current $I_{\min}$	0.15 A
Max. speed $n_{\max}$	4800 rpm
Min. speed $n_{\min}$	1200 rpm
Insulation class	F
Protection class	IPX4D
Emitted interference	EN 61800-3;2004+A1;2012 /residential area (C1)
Interference resistance	EN 61800-3;2004+A1;2012 /industria l environment (C2)

### Materials

Bearing	Carbon, metal impregnated
Impeller	PPS-GF40
Pump housing	5.1301, EN-GJL-250
Shaft	1.4122, X39CrMo17-1

### Product data

Maximum operating pressure $PN$	10 bar
Max. ambient temperature $T$	40 °C
Min. ambient temperature $T$	-20 °C
Max. fluid temperature $T$	110 °C
Min. fluid temperature $T$	-10 °C

### Installation dimensions

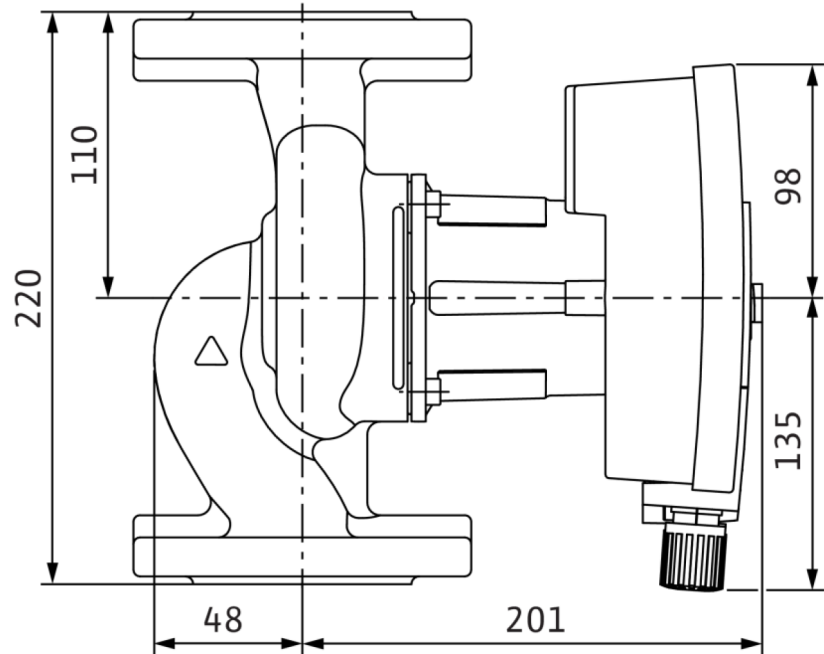
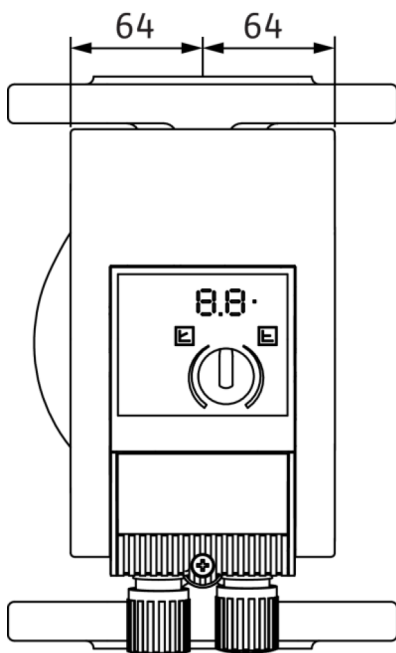
Pipe connection on the pressure side	DN 40
Pipe connection on the suction side	DN 40
Port-to-port length $l_0$	220 mm

### Information for order placements

Brand	Wilo
Product description	Yonos MAXO 40/0,5-8
Article number	2120646
Net weight, approx. $m$	9 kg

Dimensions and dimensions drawings: Yonos MAXO 40/0,5-8

Yonos MAXO 40/0,5-8



## Pump curves: Yonos MAXO 40/0,5-8

Yonos MAXO 40/0,5-8

