

Data sheet: Yonos MAXO 50/0,5-8

Hydraulic data

Max. volume flow Q	18.2 m ³ /h
Max. delivery head H	8.00 m
Energy efficiency index (EEI)	0.20

Motor data

Mains connection	1~230 V \pm 10%, 50/60 Hz
Power consumption $P_{1 \max}$	305 W
Power consumption $P_{1 \min}$	10 W
Max current I_{\max}	1.33 A
Min current I_{\min}	0.15 A
Max. speed n_{\max}	4800 rpm
Min. speed n_{\min}	1200 rpm
Insulation class	F
Protection class	IPX4D
Emitted interference	EN 61800-3;2004+A1;2012 /residential area (C1)
Interference resistance	EN 61800-3;2004+A1;2012 /industria l environment (C2)

Materials

Bearing	Carbon, metal impregnated
Impeller	PPS-GF40
Pump housing	5.1301, EN-GJL-250
Shaft	1.4034, X46Cr13

Product data

Maximum operating pressure PN	10 bar
Max. ambient temperature T	40 °C
Min. ambient temperature T	-20 °C
Max. fluid temperature T	110 °C
Min. fluid temperature T	-10 °C

Installation dimensions

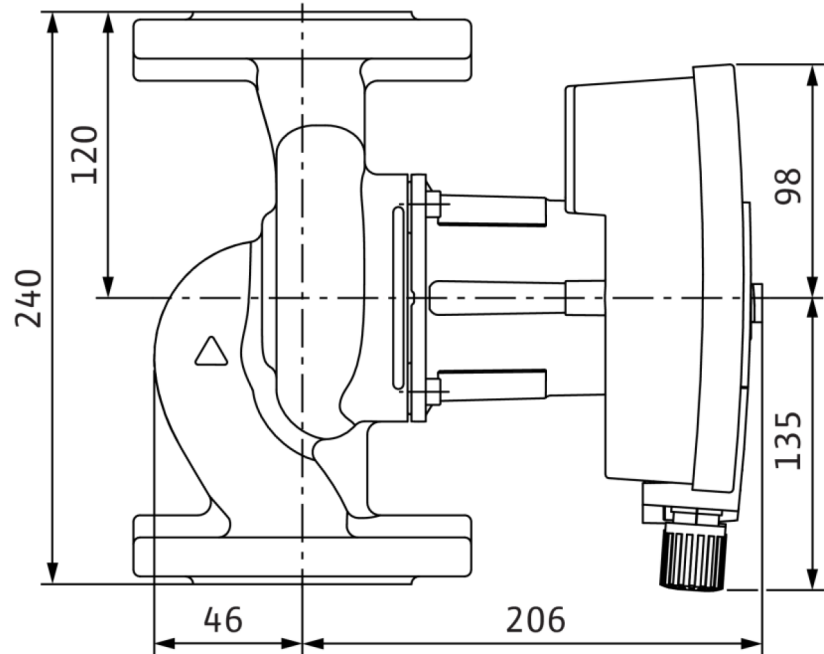
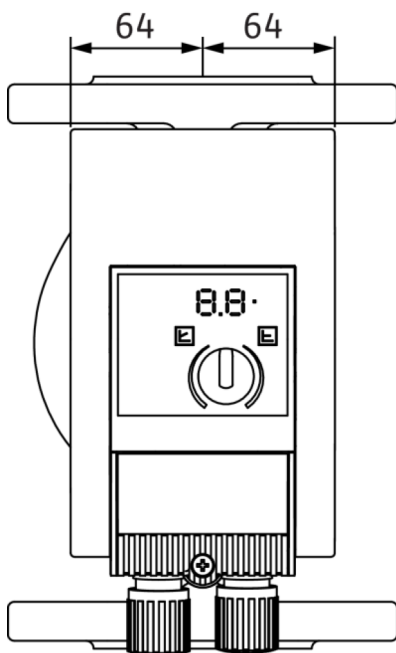
Pipe connection on the pressure side	DN 50
Pipe connection on the suction side	DN 50
Port-to-port length l_0	240 mm

Information for order placements

Brand	Wilo
Product description	Yonos MAXO 50/0,5-8
Article number	2120649
Net weight, approx. m	11 kg

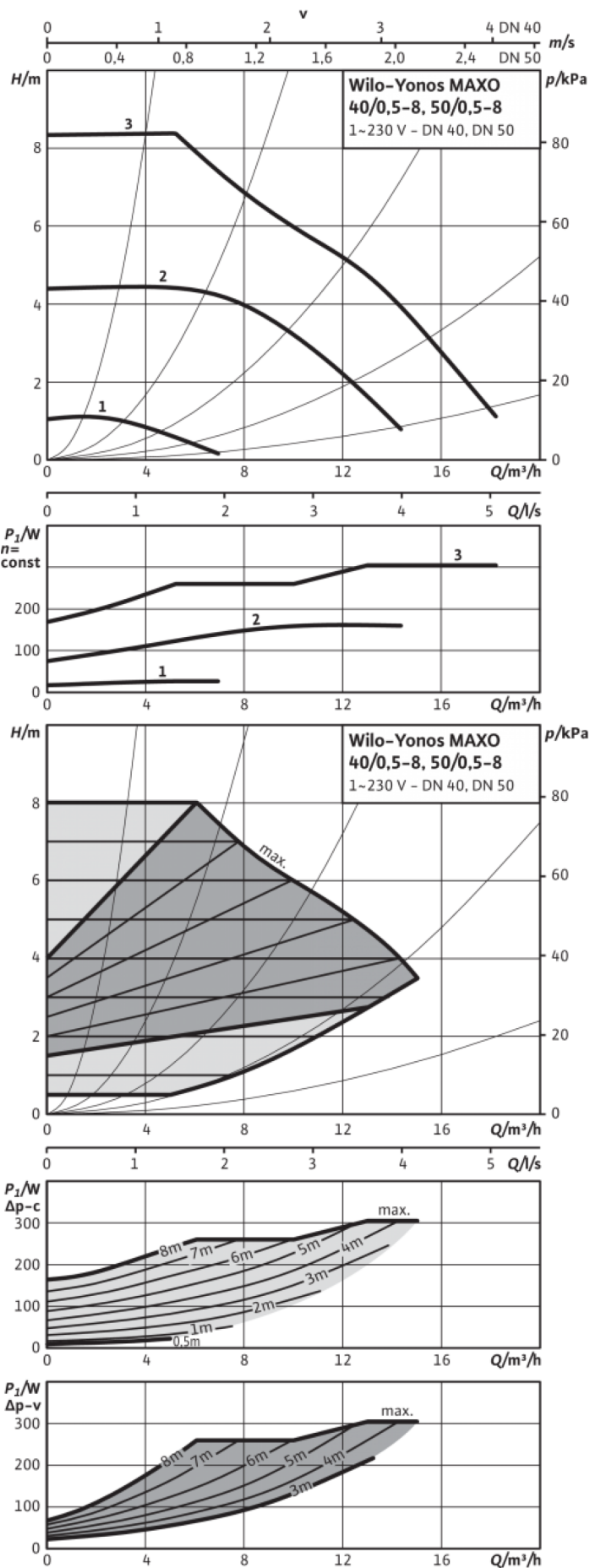
Dimensions and dimensions drawings: Yonos MAXO 50/0,5-8

Yonos MAXO 50/0,5-8



Pump curves: Yonos MAXO 50/0,5-8

Yonos MAXO 40/0,5-8



Tender text: Yonos MAXO 50/0,5-8

High efficiency pump Wilo-Yonos MAXO

electronically controlled,

Glandless circulator, synchronous motor according to ECM technology and integrated power control for continuous differential pressure control. Can be used for all heating, ventilation and air-conditioning applications.

Standard-equipped with:

- Preselectable control modes for optimum load adjustment: $\Delta p\text{-c}$ (differential pressure constant), $\Delta p\text{-v}$ (differential pressure variable)
- 3 speed stages ($n = \text{constant}$)
- LED for setting the setpoint and displaying error messages
- Electrical connection with the Wilo plug
- Fault lamp and contact for collective fault signal

For flange-end pumps - flange versions:

- Standard version for pumps DN 32 to DN 65: PN 6/10 combination flange (PN 16 flange according to EN 1092-2) for PN 6 and PN 16 counter flanges
- Standard version for DN 80/DN 100 pumps: PN 6 flange (designed for PN 16 according to EN 1092-2) for PN 6 counter flange

Materials		Operating data	
Pump housing	5.1301, EN-GJL-250	Fluid media	Water
Impeller	PPS-GF40	Min. fluid temperature T	-10 °C
Shaft	1.4034, X46Cr13	Max. fluid temperature T	110 °C
Bearing	Carbon, metal impregnated	Maximum operating pressure PN	10 bar
		Minimum suction head at 50 °C	3
		Minimum suction head at 95 °C	10
		Minimum suction head at 110 °C	16
		Max. ambient temperature T	40 °C
Motor data		Installation dimensions	
Energy efficiency index (EEI)	0.20	Pipe connection on the suction side	DN 50
Emitted interference	EN 61800-3;2004+A1;2012 /residential area (C1)	Port-to-port length l_0	240 mm
Interference resistance	EN 61800-3;2004+A1;2012 /industria l environment (C2)		
Mains connection	1-230 V, 50/60 Hz		
Power consumption $P_{1\text{max}}$	305 W		
Min. speed n_{min}	1200 rpm		
Max. speed n_{max}	4800 rpm		
Protection class motor	IPX4D		
Threaded cable connection	2 x M20x1.5		
Information for order placements			
Net weight, approx. m	11 kg		
Brand	Wilo		
Product description	Yonos MAXO 50/0,5-8		
Article number	2120649		