

Data sheet: Yonos MAXO 50/0,5-9

Hydraulic data

Max. volume flow Q	29 m ³ /h
Max. delivery head H	9.00 m
Energy efficiency index (EEI)	0.20

Motor data

Mains connection	1~230 V ±10%, 50/60 Hz
Power consumption $P_{1 \max}$	490 W
Power consumption $P_{1 \min}$	15 W
Max current I_{\max}	2.15 A
Min current I_{\min}	0.17 A
Max. speed n_{\max}	4100 rpm
Min. speed n_{\min}	950 rpm
Insulation class	F
Protection class	IPX4D
Emitted interference	EN 61800-3;2004+A1;2012 /residential area (C1)
Interference resistance	EN 61800-3;2004+A1;2012 /industria l environment (C2)

Materials

Bearing	Carbon, metal impregnated
Impeller	PPS-GF40
Pump housing	5.1301, EN-GJL-250
Shaft	1.4034, X46Cr13

Product data

Maximum operating pressure PN	10 bar
Max. ambient temperature T	40 °C
Min. ambient temperature T	-20 °C
Max. fluid temperature T	110 °C
Min. fluid temperature T	-10 °C

Installation dimensions

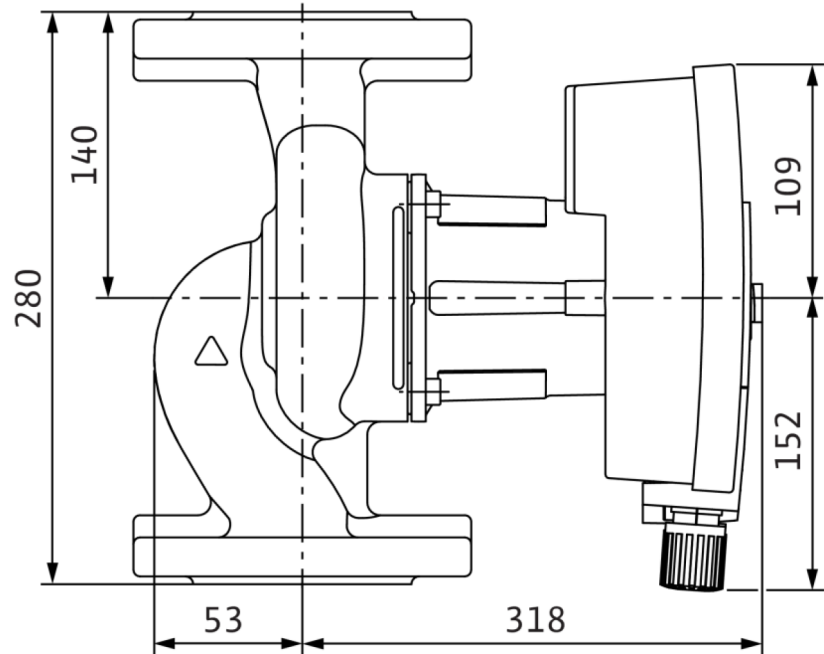
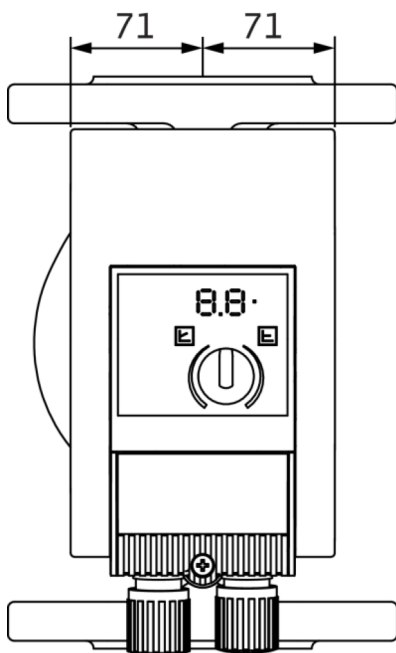
Pipe connection on the pressure side	DN 50
Pipe connection on the suction side	DN 50
Port-to-port length l_0	280 mm

Information for order placements

Brand	Wilo
Product description	Yonos MAXO 50/0,5-9
Article number	2120650
Net weight, approx. m	14 kg

Dimensions and dimensions drawings: Yonos MAXO 50/0,5-9

Yonos MAXO 50/0,5-9



Pump curves: Yonos MAXO 50/0,5-9

Yonos MAXO 50/0,5-9

