

Data sheet: Yonos MAXO-D 40/0,5-8

Hydraulic data

| | |
|-------------------------------|------------------------|
| Max. volume flow Q | 17.5 m ³ /h |
| Max. delivery head H | 8.00 m |
| Energy efficiency index (EEI) | 0.23 |

Motor data

| | |
|--------------------------------|---|
| Mains connection | 1~230 V ±10%, 50/60 Hz |
| Power consumption $P_{1 \max}$ | 305 W |
| Power consumption $P_{1 \min}$ | 10 W |
| Max current I_{\max} | 1.33 A |
| Min current I_{\min} | 0.15 A |
| Max. speed n_{\max} | 4800 rpm |
| Min. speed n_{\min} | 1200 rpm |
| Insulation class | F |
| Protection class | IPX4D |
| Emitted interference | EN 61800-3;2004+A1;2012 /residential area (C1) |
| Interference resistance | EN 61800-3;2004+A1;2012 /industria l environment (C2) |

Materials

| | |
|--------------|---------------------------|
| Bearing | Carbon, metal impregnated |
| Impeller | PPS-GF40 |
| Pump housing | 5.1301, EN-GJL-250 |
| Shaft | 1.4122, X39CrMo17-1 |

Product data

| | |
|---------------------------------|--------|
| Maximum operating pressure PN | 10 bar |
| Max. ambient temperature T | 40 °C |
| Min. ambient temperature T | -20 °C |
| Max. fluid temperature T | 110 °C |
| Min. fluid temperature T | -10 °C |

Installation dimensions

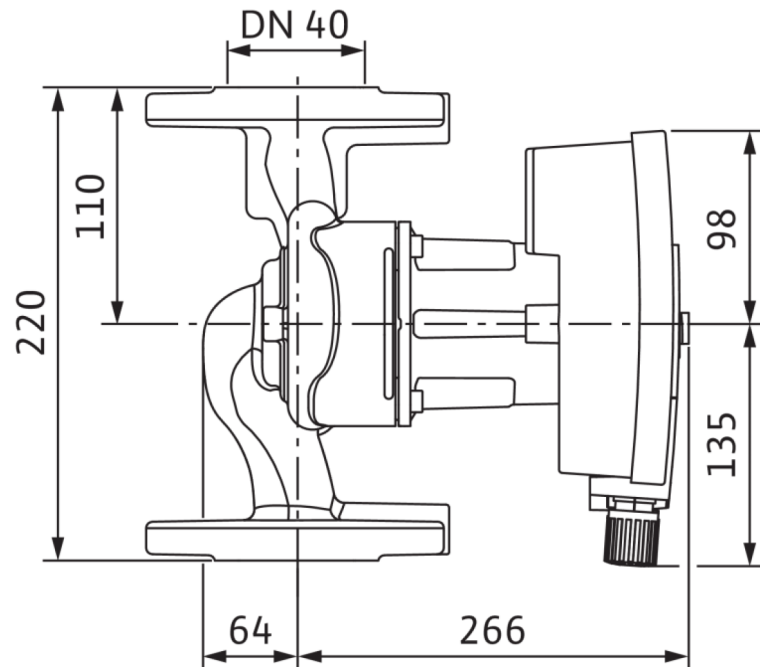
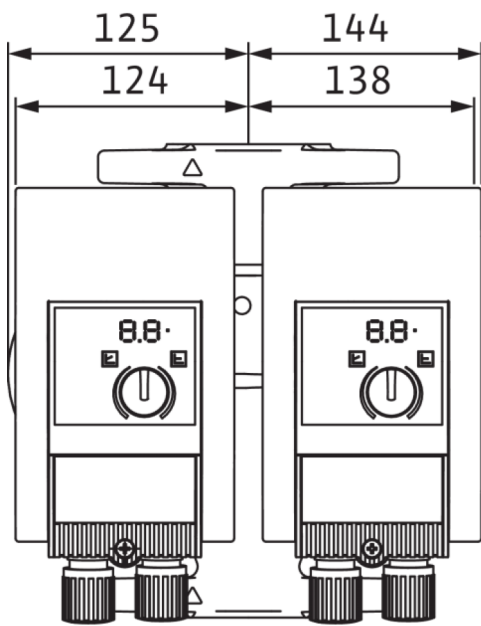
| | |
|--------------------------------------|--------|
| Pipe connection on the pressure side | DN 40 |
| Pipe connection on the suction side | DN 40 |
| Port-to-port length l_0 | 220 mm |

Information for order placements

| | |
|-------------------------|-----------------------|
| Brand | Wilo |
| Product description | Yonos MAXO-D 40/0,5-8 |
| Article number | 2120664 |
| Net weight, approx. m | 18 kg |

Dimensions and dimensions drawings: Yonos MAXO-D 40/0,5-8

Yonos MAXO-D 40-0,5/8



Pump curves: Yonos MAXO-D 40/0,5-8

Yonos MAXO-D 40-0,5/8

