

Data sheet: Yonos MAXO-D 50/0,5-16

Hydraulic data

Max. volume flow Q	39 m ³ /h
Max. delivery head H	16.00 m
Energy efficiency index (EEI)	0.23

Motor data

Mains connection	1~230 V \pm 10%, 50/60 Hz
Power consumption $P_{1 \max}$	1250 W
Power consumption $P_{1 \min}$	40 W
Max current I_{\max}	5.50 A
Min current I_{\min}	0.30 A
Max. speed n_{\max}	3300 rpm
Min. speed n_{\min}	800 rpm
Insulation class	F
Protection class	IPX4D
Emitted interference	EN 61800-3;2004+A1;2012 /residential area (C1)
Interference resistance	EN 61800-3;2004+A1;2012 /industria l environment (C2)

Materials

Bearing	Carbon, metal impregnated
Impeller	PPE/PS-GF30
Pump housing	5.1301, EN-GJL-250
Shaft	1.4028, X30Cr13

Product data

Maximum operating pressure PN	10 bar
Max. ambient temperature T	40 °C
Min. ambient temperature T	-20 °C
Max. fluid temperature T	110 °C
Min. fluid temperature T	-10 °C

Installation dimensions

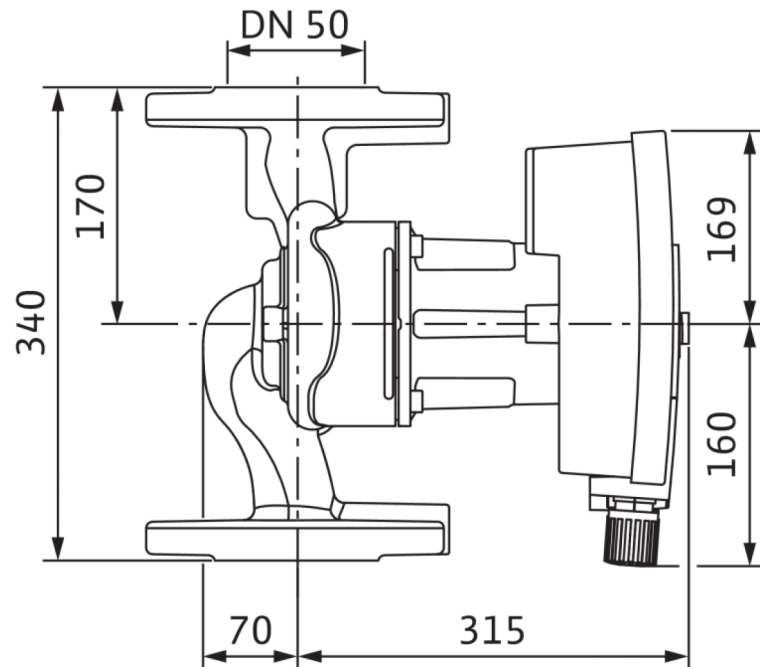
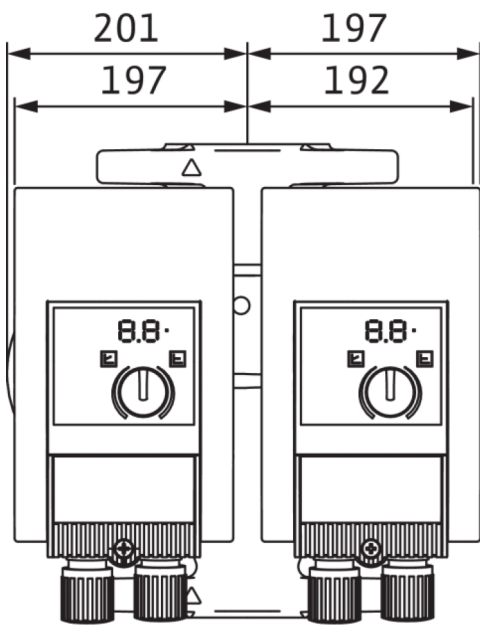
Pipe connection on the pressure side	DN 50
Pipe connection on the suction side	DN 50
Port-to-port length l_0	340 mm

Information for order placements

Brand	Wilo
Product description	Yonos MAXO-D 50/0,5-16
Article number	2120669
Net weight, approx. m	47 kg

Dimensions and dimensions drawings: Yonos MAXO-D 50/0,5-16

Yonos MAXO-D 50-0,5/16



Pump curves: Yonos MAXO-D 50/0,5-16

Yonos MAXO-D 50-0,5/16

