

Customer

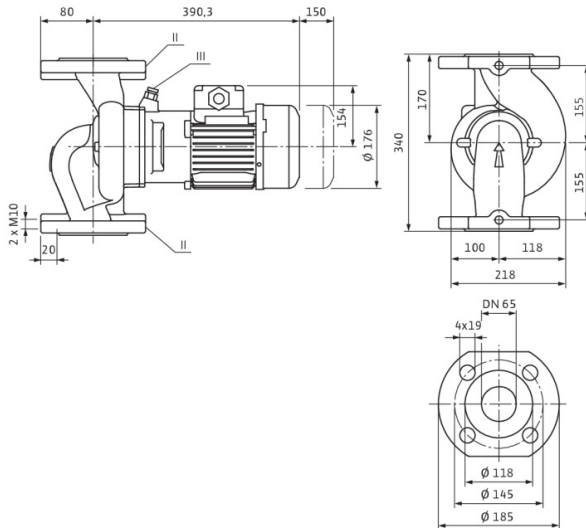
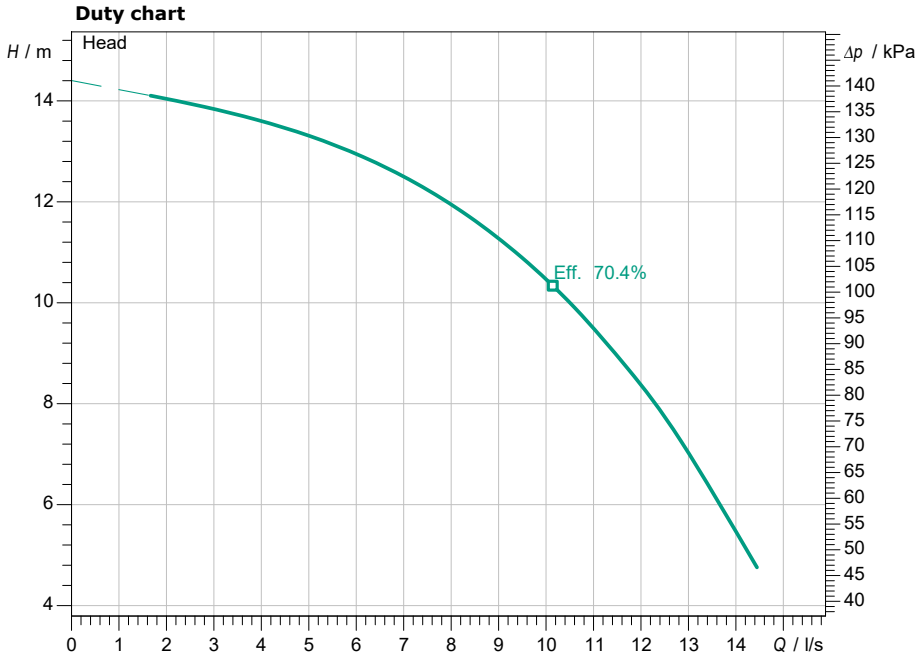
Technical data

Glanded standard single pump IPL 65/115-1,5/2 PN 10

Project name

Project ID
Installation location
Customer pos.no

Date 2023-06-30



Requested data

Flow
Head
Media
Fluid temperature
Density
Kin. viscosity

Water 100 %
20.00 °C
998.30 kg/m³
1.00 mm²/s

Hydraulic data (Duty point)

Flow
Head
Shaft power P2
Hydraulic efficiency
NPSH

Product data

Glanded standard single pump
IPL 65/115-1,5/2 PN 10
Max. operating pressure
Fluid temperature
Max. ambient temperature
Minimum efficiency index (MEI)

1000 kPa
-20 °C ... +120 °C
40 °C
≥ 0.4

Motordata per Motor/Pump

Motor efficiency level
Mains connection
Permitted voltage tolerance
Rated speed
Rated power P2
Rated current
Power factor
Efficiency
50% / 75% / 100%
Degree of protection
Insulation class
Motor protection

IE3
3~ 400 V / 50 Hz
+/-10 %
2900 1/min
1.50 kW
3.18 A
0.8
82.3/ 84.2/84.2%
IP55
F
no

Fitting dimensions

Pipe connection on the suction side DN 65, PN 10
Pipe connection on the pressure side DN 65, PN 10
Port to Port
340 mm

Materials

Pump housing
Impeller
Lantern
Shaft
Shaft seal

5.1301/EN-GJL-250
PPE/PS-GF30
5.1301/EN-GJL-250
1.4021
AQ1EGG

Information for order placements

Weight approx.
Item number

36.7 kg
2121218

