

Data sheet

Hydraulic data

Maximum operating pressure P_N	10 bar
Head max H_{max}	15,0 m
Flow max Q_{max}	20,5 m ³ /h
Minimum suction head at 50 °C m	5 m
Minimum suction head at 95 °C m	12 m
Minimum suction head at 110 °C	18 m
Min. fluid temperature T_{min}	-10 °C
Max. fluid temperature T_{max}	110 °C
Min. ambient temperature T_{min}	-10 °C
Max. ambient temperature T_{max}	40 °C

Motor data

Energy efficiency index (EEI)	0,17
Mains connection	1~230 V ±10%, 50/60 Hz
Rated power P_2	433 W
Min. speed n_{min}	650 1/min
Max. speed n_{max}	4950 1/min
Power consumption $P_{1 min}$	10 W
Power consumption $P_{1 max}$	510 W
Interference emission	EN 61800-3;2004+A1;2012 /residential area (C1)
Interference immunity	EN 61800-3;2004+A1;2012 /industrial environment (C2)
Insulation class	F
Protection class	IPX4D

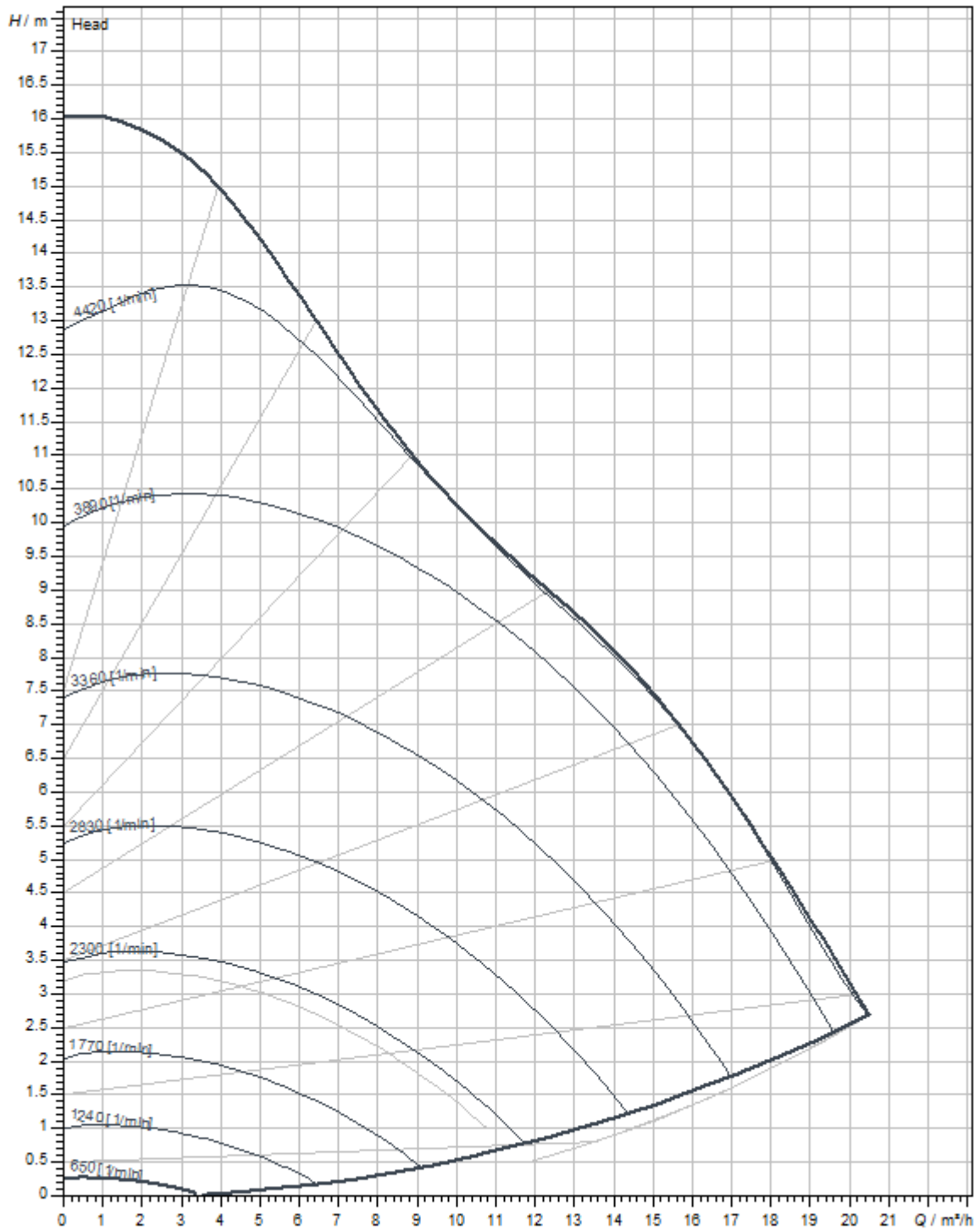
Installation dimensions

Pipe connection on the suction side DN_s	DN 32
Pipe connection on the pressure side DN_d	DN 32
Port-to-port length L_0	220 mm

Materials

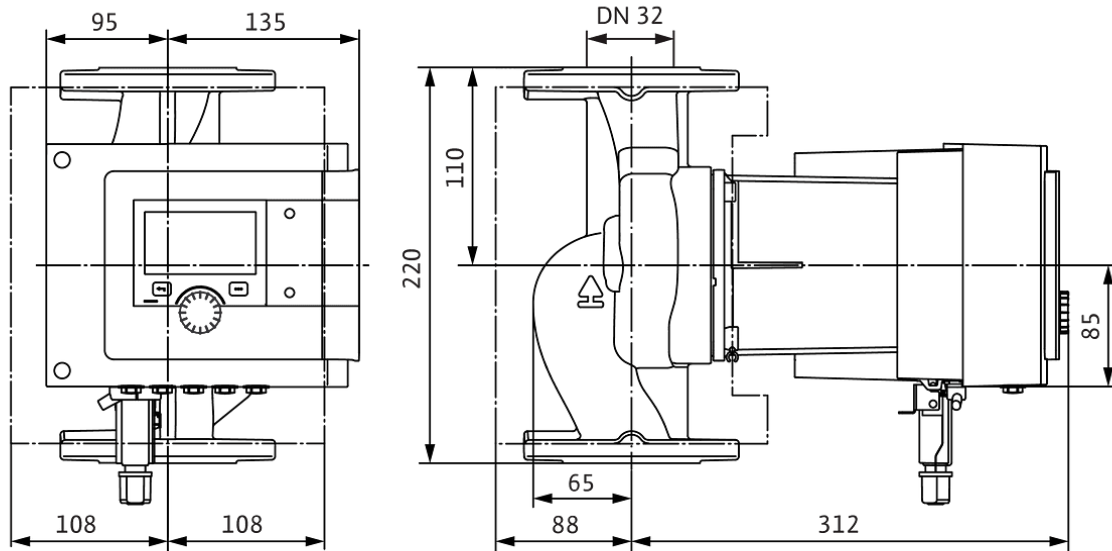
Pump housing	Cast iron
Impeller	PPS-GF40
Shaft	1.4028, DLC-coated
Bearing	Carbon, antimony-impregnated

Pump curves



Dimensions and dimensions drawings

Stratos MAXO 32/0,5-16 PN 6/10



Wiring diagram

Standard: 1~ 230 V, 50/60 Hz, Option: 3~ 230 V, 50/60 Hz

