

## Data sheet

### Hydraulic data

|                                    |                        |
|------------------------------------|------------------------|
| Maximum operating pressure $P_N$   | 16 bar                 |
| Head max $H_{max}$                 | 11,0 m                 |
| Flow max $Q_{max}$                 | 16,5 m <sup>3</sup> /h |
| Minimum suction head at 50 °C $m$  | 3 m                    |
| Minimum suction head at 95 °C $m$  | 10 m                   |
| Minimum suction head at 110 °C     | 16 m                   |
| Min. fluid temperature $T_{min}$   | -10 °C                 |
| Max. fluid temperature $T_{max}$   | 110 °C                 |
| Min. ambient temperature $T_{min}$ | -10 °C                 |
| Max. ambient temperature $T_{max}$ | 40 °C                  |

### Motor data

|                               |  |
|-------------------------------|--|
| Energy efficiency index (EEI) | 0,18   |
| Mains connection              | 1~230 V ±10%, 50/60 Hz                               |
| Rated power $P_2$             | 266 W  |
| Min. speed $n_{min}$          | 750 1/min  |
| Max. speed $n_{max}$          | 4400 1/min   |
| Power consumption $P_{1min}$  | 7 W  |
| Power consumption $P_{1max}$  | 320 W  |
| Interference emission         | EN 61800-3;2004+A1;2012 /residential area (C1)       |
| Interference immunity         | EN 61800-3;2004+A1;2012 /industrial environment (C2) |
| Insulation class              | F  |
| Protection class              | IPX4D  |

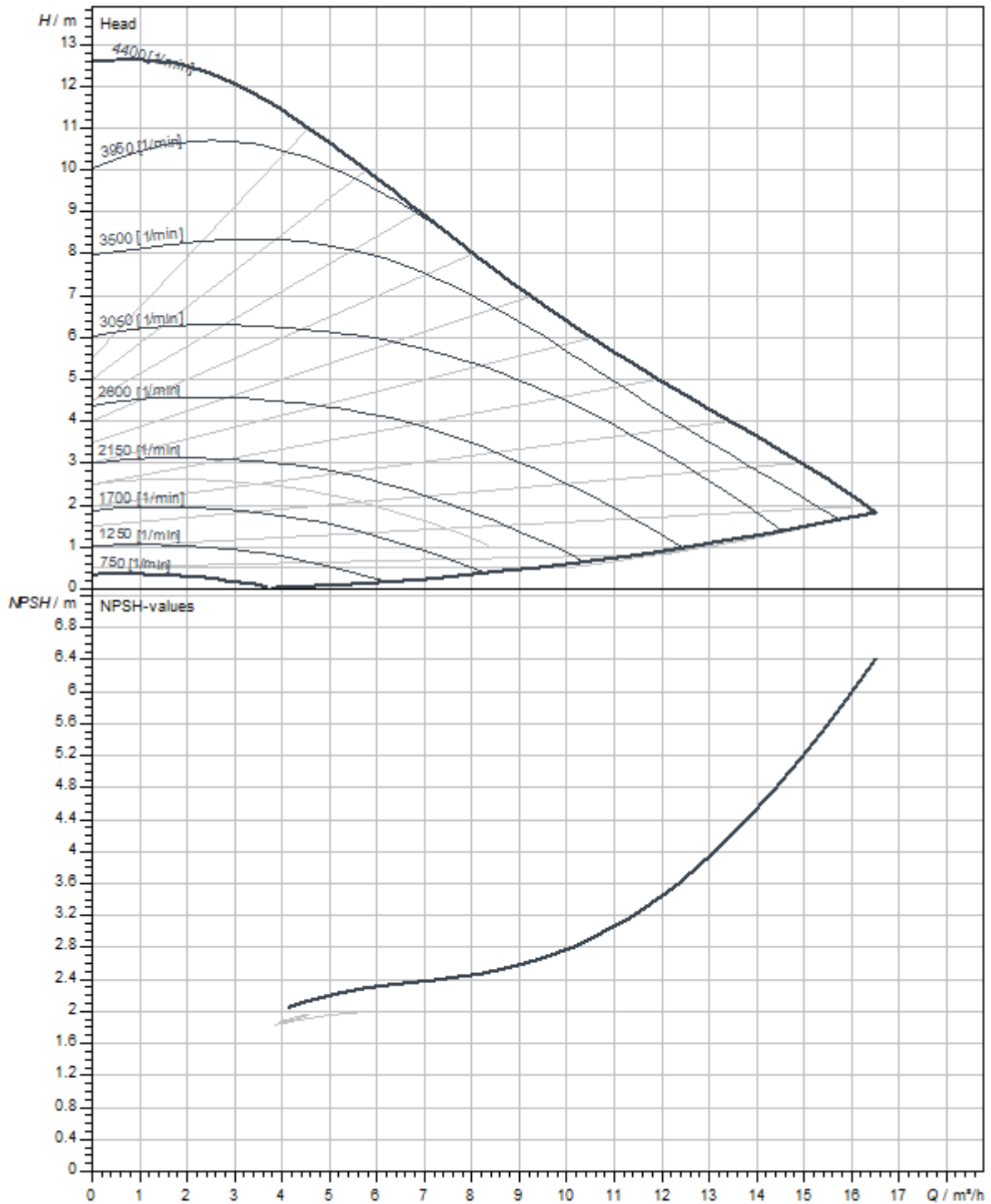
### Installation dimensions

|   |        |
|---|--------|
| Pipe connection on the suction side $DN_s$  | DN 32  |
| Pipe connection on the pressure side $DN_d$ | DN 32  |
| Port-to-port length $L_0$                   | 220 mm |

### Materials

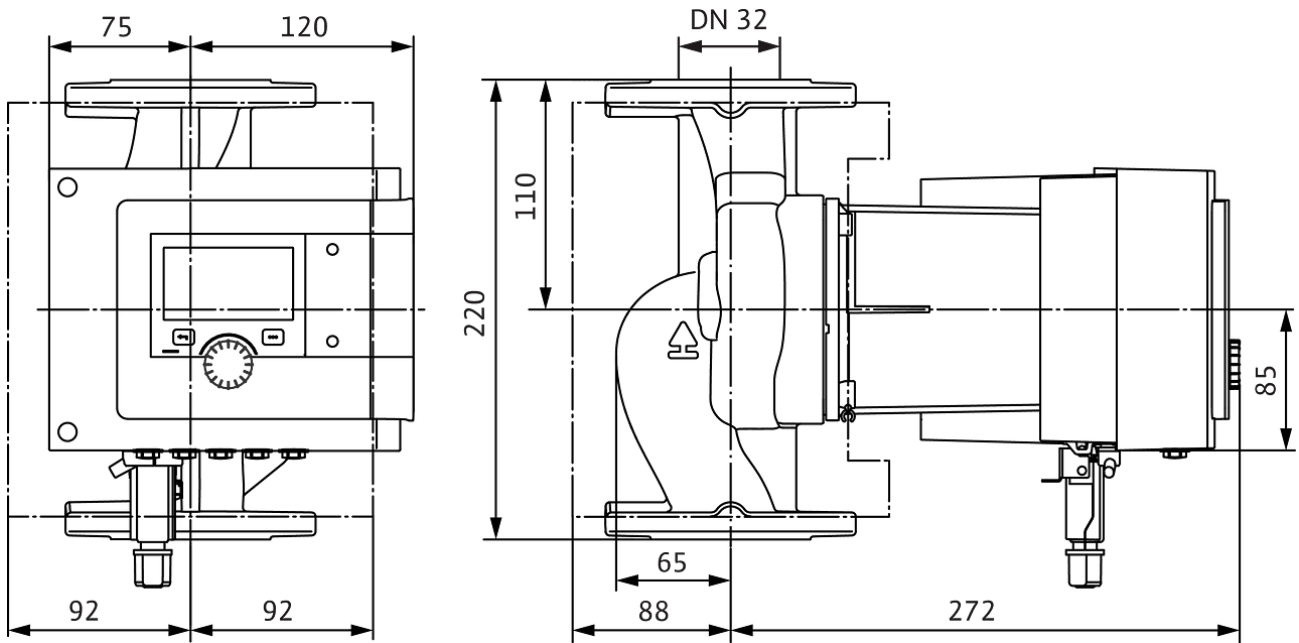
|              |                              |
|--------------|------------------------------|
| Pump housing | Cast iron                    |
| Impeller     | PPS-GF40                     |
| Shaft        | 1.4122, DLC-coated           |
| Bearing      | Carbon, antimony-impregnated |

Pump curves

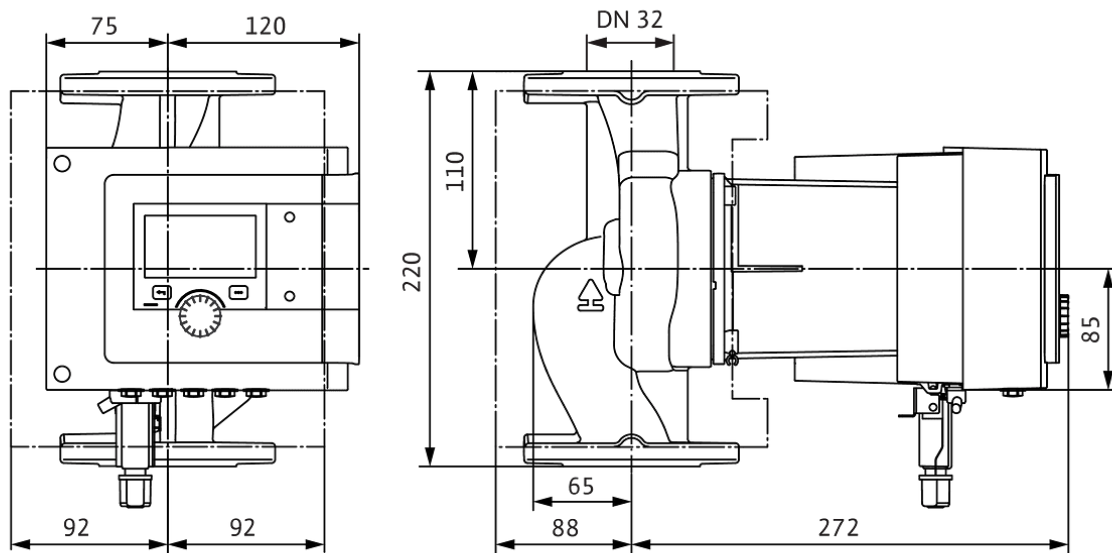


Dimensions and dimensions drawings

Stratos MAXO (2186268)

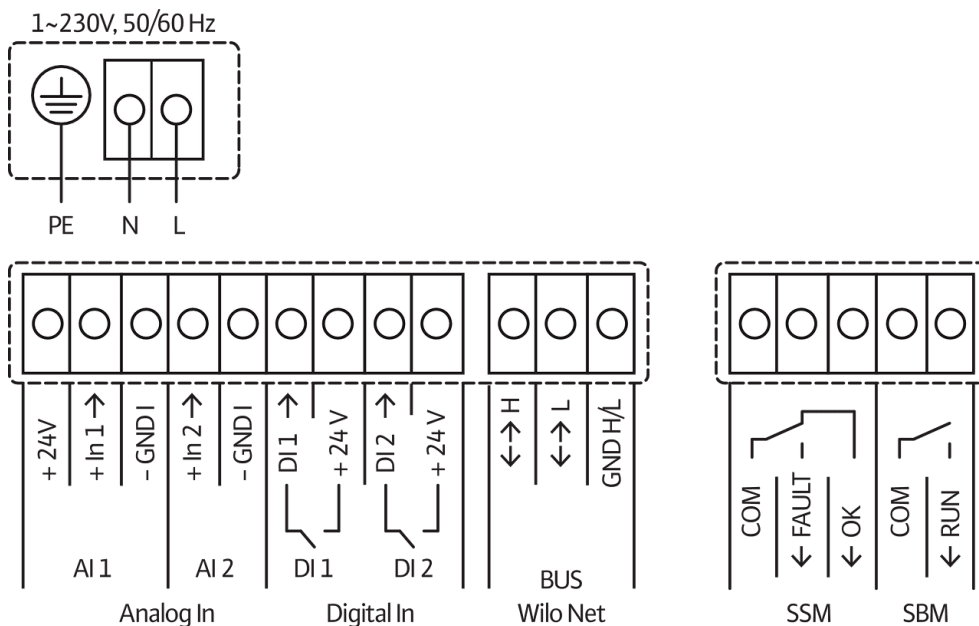


Stratos MAXO 32/0,5-12 PN 16



### Wiring diagram

Standard: 1~ 230 V, 50/60 Hz, Option: 3~ 230 V, 50/60 Hz



SSM: Collective fault signal (NC contact in accordance with VDI 3814, load capacity 1 A, 250 V ~)