

Data sheet

Hydraulic data

| | |
|------------------------------------|------------------------|
| Maximum operating pressure P_N | 16 bar |
| Head max H_{max} | 16,0 m |
| Flow max Q_{max} | 53,0 m ³ /h |
| Minimum suction head at 50 °C m | 7 m |
| Minimum suction head at 95 °C m | 15 m |
| Minimum suction head at 110 °C | 23 m |
| Min. fluid temperature T_{min} | -10 °C |
| Max. fluid temperature T_{max} | 110 °C |
| Min. ambient temperature T_{min} | -10 °C |
| Max. ambient temperature T_{max} | 40 °C |

Motor data

| | |
|-------------------------------|--|
| Energy efficiency index (EEI) | 0,17 |
| Mains connection | 1~230 V ±10%, 50/60 Hz |
| Rated power P_2 | 1272 W |
| Min. speed n_{min} | 500 1/min |
| Max. speed n_{max} | 3200 1/min |
| Power consumption P_{1min} | 20 W |
| Power consumption P_{1max} | 1480 W |
| Interference emission | EN 61800-3;2004+A1;2012 /residential area (C1) |
| Interference immunity | EN 61800-3;2004+A1;2012 /industrial environment (C2) |
| Insulation class | F |
| Protection class | IPX4D |

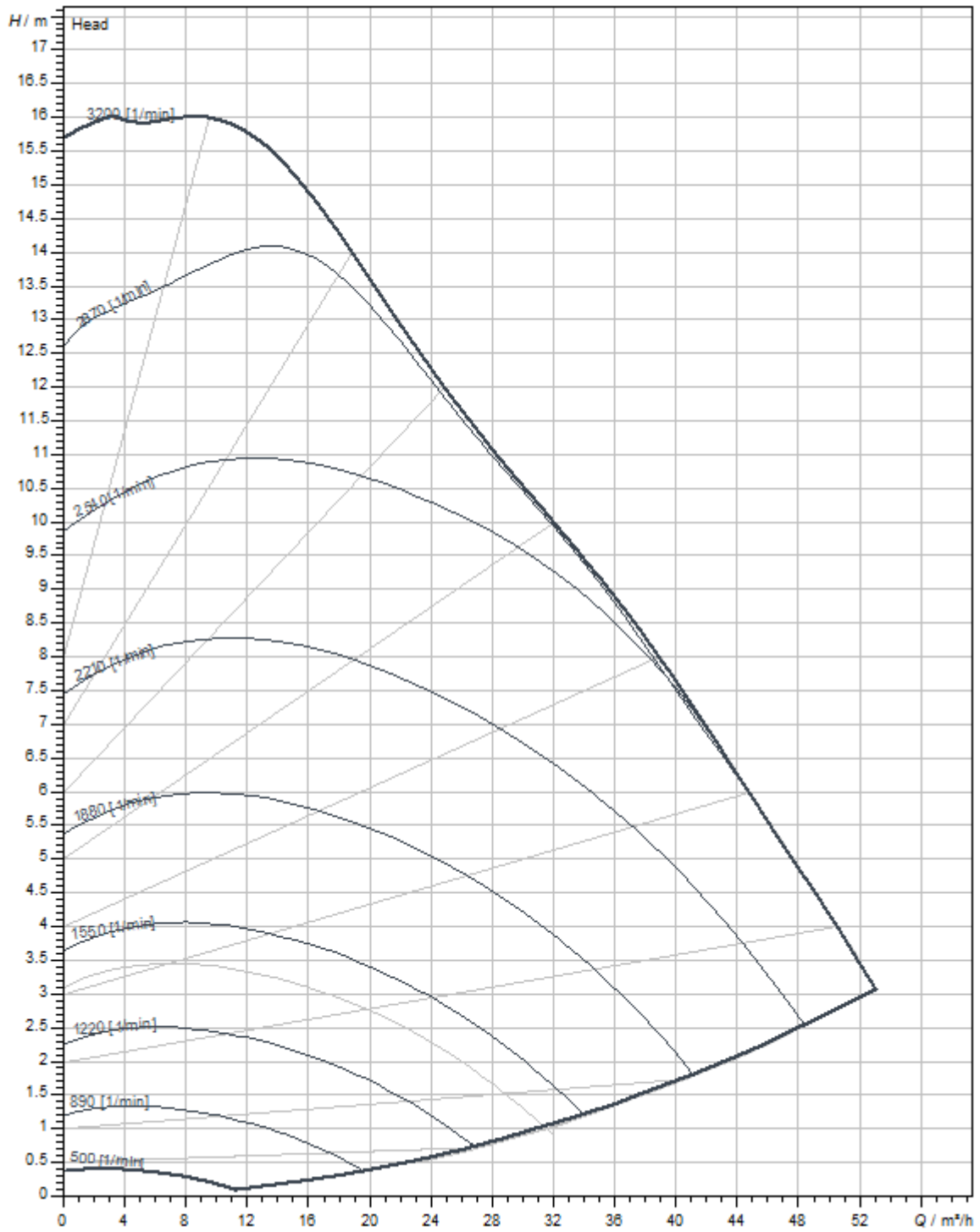
Installation dimensions

| | |
|---|--------|
| Pipe connection on the suction side DN_s | DN 50 |
| Pipe connection on the pressure side DN_d | DN 50 |
| Port-to-port length L_0 | 340 mm |

Materials

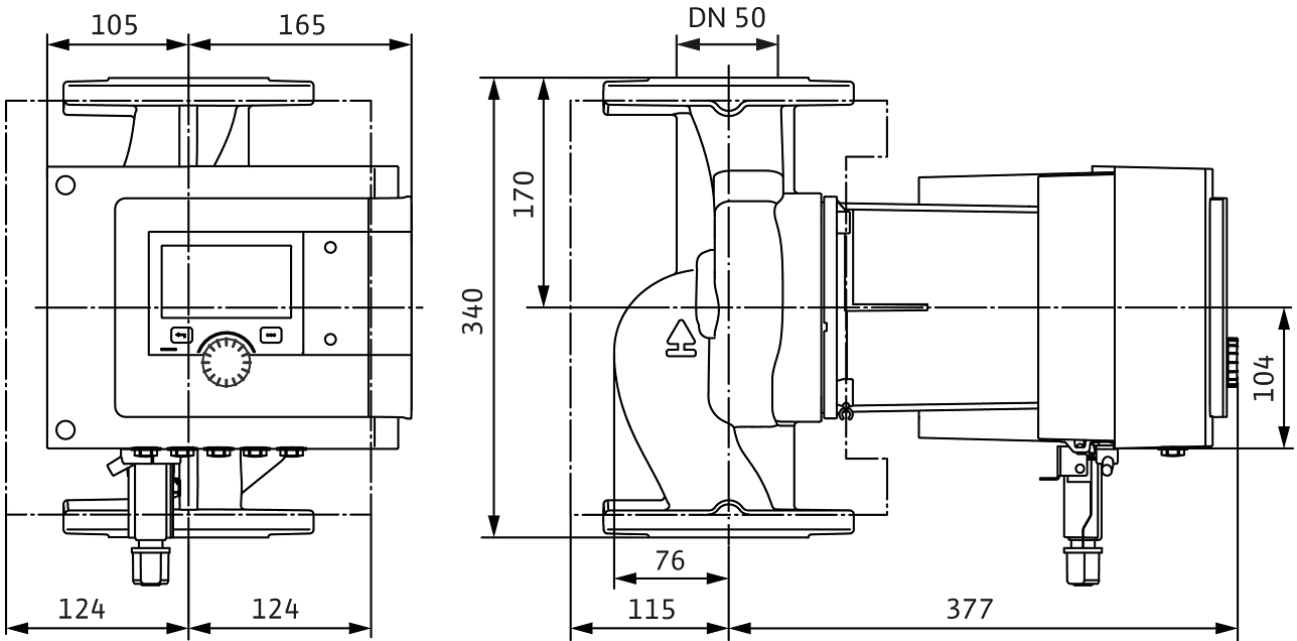
| | |
|--------------|------------------------------|
| Pump housing | Cast iron |
| Impeller | PPS-GF40 |
| Shaft | 1.4028, DLC-coated |
| Bearing | Carbon, antimony-impregnated |

Pump curves

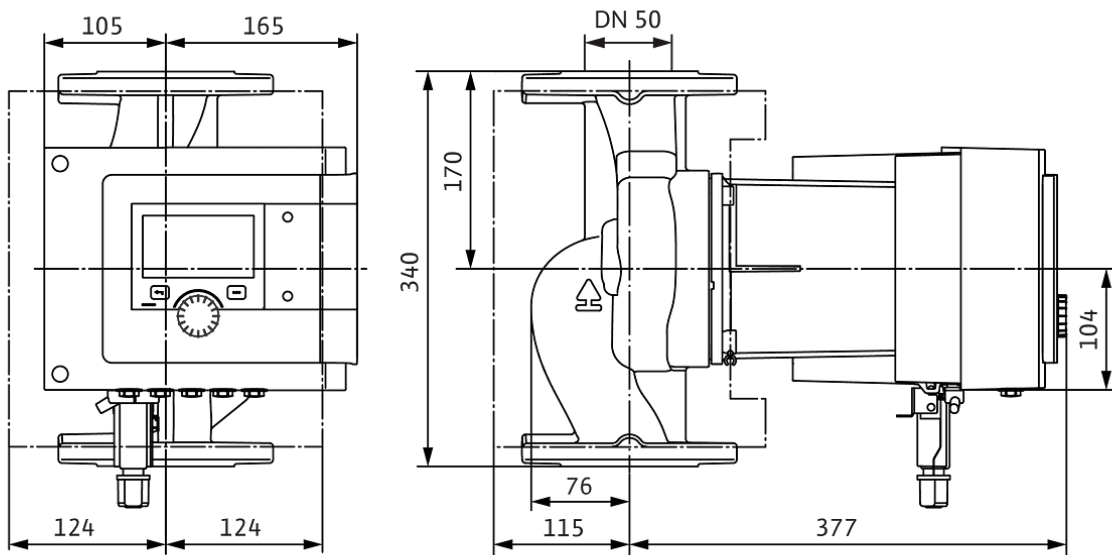


Dimensions and dimensions drawings

Stratos MAXO (2186279)

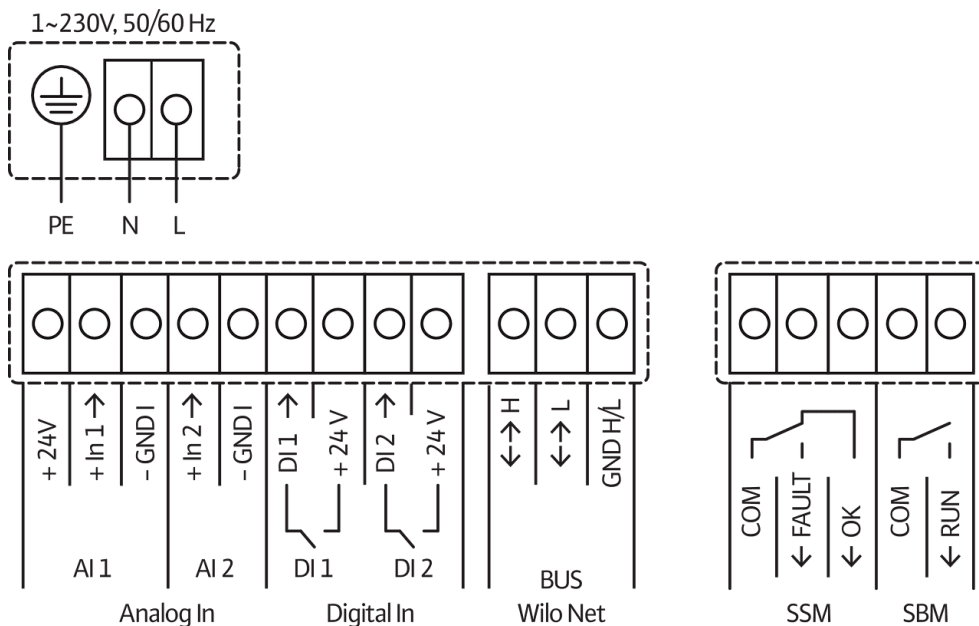


Stratos MAXO 50/0,5-16 PN 16



Wiring diagram

Standard: 1~ 230 V, 50/60 Hz, Option: 3~ 230 V, 50/60 Hz



SSM: Collective fault signal (NC contact in accordance with VDI 3814, load capacity 1 A, 250 V ~)