

Customer

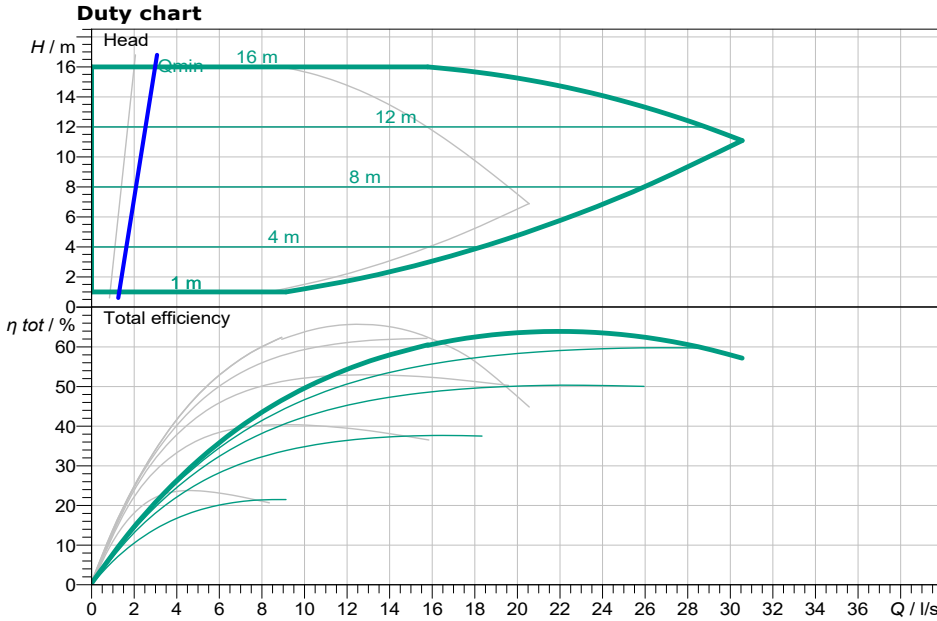
Technical data

Glanded energy-saving twin-head pump Yonos GIGA2.0-D 65/1-16/3,0

Project name

Project ID
Installation location
Customer pos.no

Date 2024-01-19



Requested data

Flow	
Head	
Media	Water 100 %
Fluid temperature	20.00 °C
Density	998.30 kg/m ³
Kin. viscosity	1.00 mm ² /s

Hydraulic data (Duty point)

Flow	
Head	
Power input P1	
NPSH	

Product data

Glanded energy-saving twin-head pump	
Yonos GIGA2.0-D 65/1-16/3,0	
Kind of operation	dp-c ADD
Max. operating pressure	1600 kPa
Fluid temperature	-20 °C ... +120 °C
Max. ambient temperature	50 °C
Minimum efficiency index (MEI)	≥ 0.4

Motordata per Motor/Pump

Motor design	EC motor
Efficiency class	IE5
Mains connection	3~ 400 V / 50 Hz
Permitted voltage tolerance	+ -10 %
Max. speed	2950 1/min
Rated power P2	3.00 kW
Rated current	5.20 A
Degree of protection	IP55
Insulation class	F
Motor protection	PTC integrated

Fitting dimensions

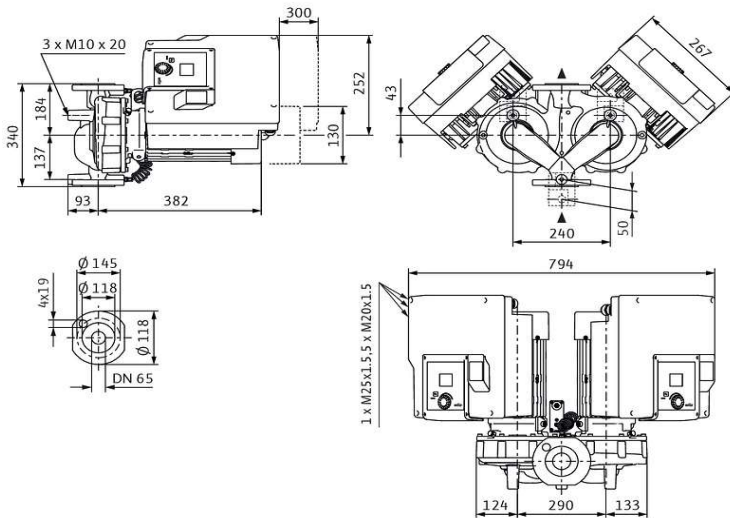
Pipe connection on the suction side	DN 65, PN 16
Pipe connection on the pressure side	DN 65, PN 16
Port to Port	340 mm

Materials

Pump housing	5.1301/EN-GJL-250
Impeller	PPE/PS-GF30
Lantern	5.1301, EN-GJL-250 cataphoretic-c
Shaft	1.4021
Shaft seal	AQ1EGG

Information for order placements

Weight approx.	67 kg
Item number	2205886



3~380V...440V, 50/60 Hz

