

## Data sheet

### Operating data

Fluid media	Water
-------------	-------

### Hydraulic data

Maximum operating pressure $P_N$	6 bar
Head max $H_{max}$	12.0 m
Flow max $Q_{max}$	67.0 m <sup>3</sup> /h
Minimum suction head at 50 °C $m$	7 m
Minimum suction head at 95 °C $m$	15 m
Minimum suction head at 110 °C	23 m
Min. fluid temperature $T_{min}$	-10 °C
Max. fluid temperature $T_{max}$	90 °C
Min. ambient temperature $T_{min}$	-10 °C
Max. ambient temperature $T_{max}$	40 °C

### Motor data

Energy efficiency index (EEI)	0.17
Mains connection	1~230 V ±10%, 50/60 Hz
Min current $I_{min}$	0.3 A
Max current $I_{max}$	5.7 A
Rated power $P_2$	1109 W
Min. speed $n_{min}$	500 1/min
Max. speed $n_{max}$	3050 1/min
Power consumption $P_{1 min}$	20 W
Power consumption $P_{1 max}$	1290 W
Interference emission	EN 61800-3;2004+A1;2012 /residential area (C1)
Interference immunity	EN 61800-3;2004+A1;2012 /industrial environment (C2)
Insulation class	F
Protection class	IPX4D

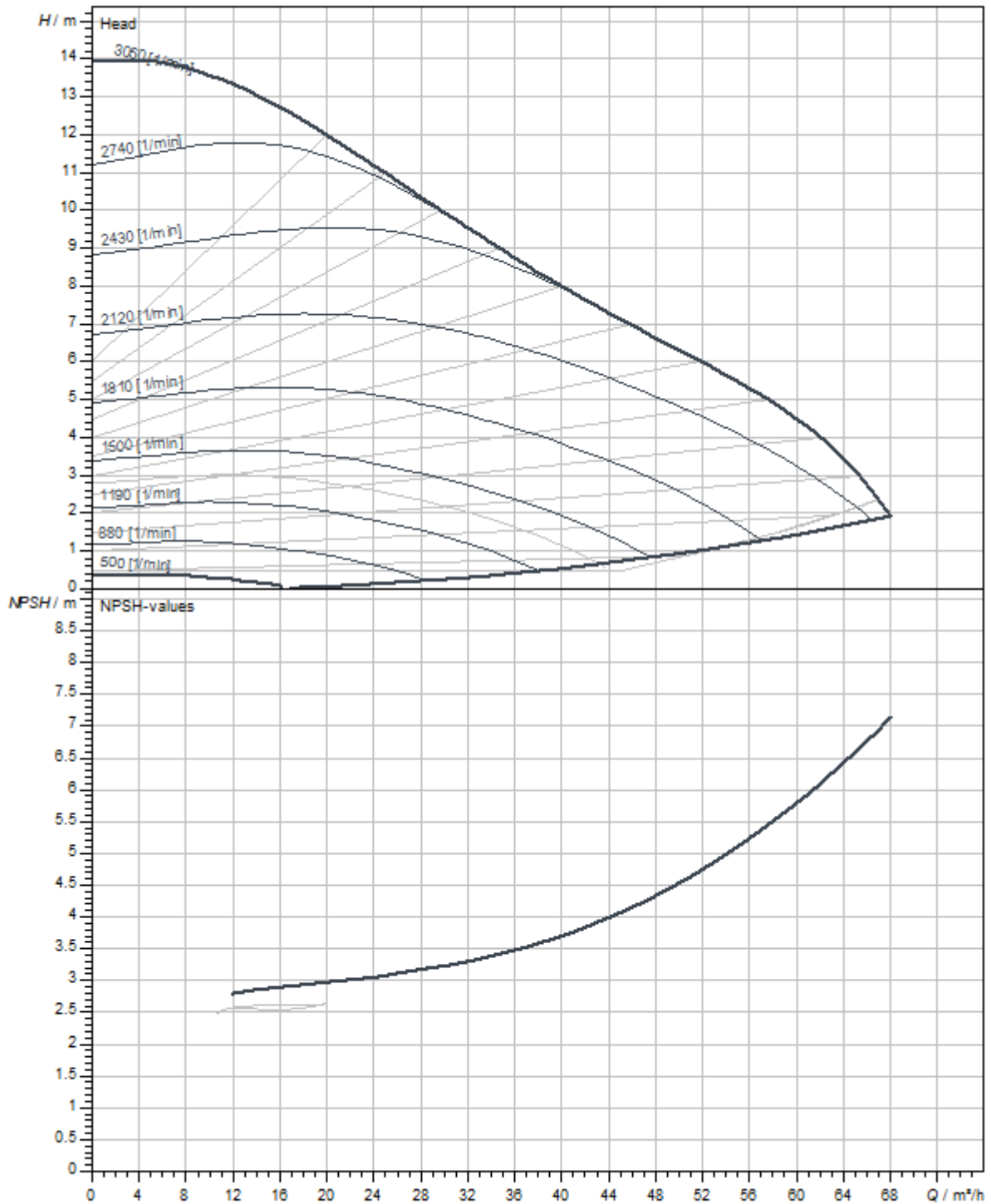
### Installation dimensions

Pipe connection on the suction side $DN_s$	DN 100
Pipe connection on the discharge side $DN_d$	DN 100
Port-to-port length $L_0$	360 mm

### Materials

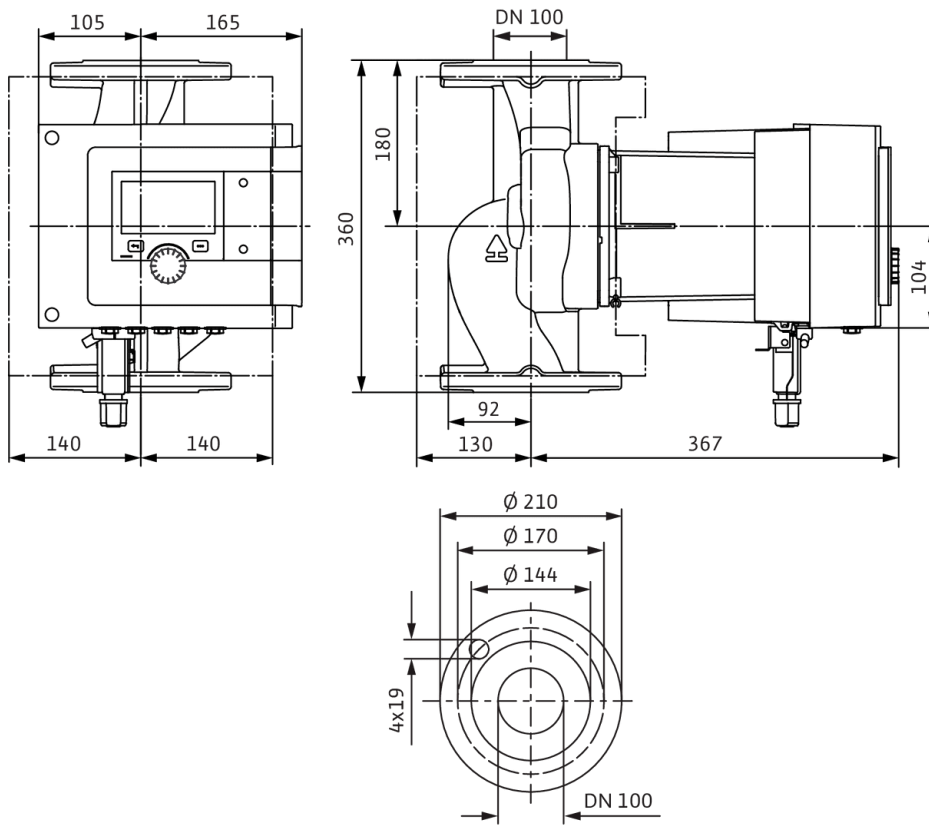
Pump housing	Cast iron
Impeller	PPS-GF40
Shaft	1.4028, DLC-coated
Bearing	Carbon, antimony-impregnated

Pump curves



Dimensions and dimensions drawings

Stratos MAXO 100/0,5-12 PN6-R7



### Wiring diagram

Standard: 1~ 230 V, 50/60 Hz, Option: 3~ 230 V, 50/60 Hz



SSM: Collective fault signal (NC contact in accordance with VDI 3814, load capacity 1 A, 250 V ~)

### Ordering information

#### Product data

Brand	Wilo
Product description	Stratos MAXO 100/0,5-12 PN6-R7
Article number	2217971
EAN number	4062679195506
Colour	Green/black/silver
Minimum order quantity	1
Date of sales availability	2021-09-01

#### Dimension, weight

Length with packaging	600 mm
Length <i>L</i>	500 mm
Height with packaging	525 mm
Height <i>H</i>	360 mm
Width with packaging	400 mm
Width <i>W</i>	300 mm
Gross weight, approx. <i>m</i>	39.3 kg
Net weight, approx. <i>m</i>	36 kg

#### Packaging

Number per layer	4
Packaging property	Transport packaging
Packaging type	Cardboard box
Pieces per pallet	8

## Tender text

Premium smart-pump Wilo-Stratos MAXO-R7

High efficiency in-line glandless pump with EC motor and electronic power adjustment. Can be used for cold water, heating water and water/glycol mixtures. Energy efficiency index (EEI) between  $\leq 0.17$  and  $\leq 0.19$  depending on pump type.

### Control modes:

- > Permanent, automatic power adjustment to system requirements without setpoint specification **Wilo Dynamic Adapt plus** (factory setting). Up to 20% energy savings compared to dp-v control mode.
- > Constant temperature (**T-const.**)
- > Constant differential temperature (**dT-const.**)
- > Needs-based volume flow optimisation of the feeder pump through connectivity and communication between multiple pumps (**Multi-Flow Adaptation**).
- > Constant volume flow (**Q-const.**)
- > Differential pressure control (dp-c) to a remote point in the pipe network (**index circuit evaluator**)
- > Constant differential pressure (**dp-c**)
- > Variable differential pressure (**dp-v**) with the option to set the nominal duty point
- > Constant speed (**n-const.**)
- > User-defined **PID** control

### Functions:

- > Heat quantity measurement
- > Cooling quantity measurement
- > Pump automatically deactivates when no flow is detected (**No-Flow Stop**)
- > Switchover between heating and cooling mode (automatic, external or manual) (automatic, possible with Stratos MAXO temperature sensor)
- > Adjustable volume flow limiter using the Q-Limit function (**Q<sub>min.</sub>** and **Q<sub>max.</sub>**)
- > Operating modes of twin-head pumps: Efficiency-optimised **parallel operation** for dp-c and dp-v, main and standby operation
- > Ability to save and restore configured pump settings (**3 restoration points**)
- > **Fault and warning messages** shown in plain text with advice on resolving the issue
- > **Pump venting function** for automatic venting of the rotor chamber
- > Automatic **setback operation** (possible with Stratos MAXO temperature sensor)
- > Automatic **deblocking function** and integrated **full motor protection**
- > **Dry-running detection**

### Display:

- > Control mode
- > Setpoint
- > Volume flow
- > Temperature (possible with Stratos MAXO temperature sensor)
- > Power consumption
- > Electric consumption
- > Active influences (e.g. STOP, No-Flow Stop)

### Version:

- > **2 configurable analogue inputs:** 0–10 V, 2–10 V, 0–20 mA, 4–20 mA and commercially available PT1000; +24 V DC power supply
- > **2 configurable digital inputs** (Ext. OFF, Ext. Min, Ext. Max, heating/cooling, manual override (uncoupled from building automation), operation lock (key lock and remote operation configuration protection))
- > **2 configurable signal relays for run signals and fault messages**
- > **Slot for Wilo-CIF modules** with interfaces for building automation BA (optional accessories: CIF modules Modbus RTU, Modbus TCP, BACnet MS/TP, BACnet IP, LON, PLR, CANopen)
- > Wilo Net as a Wilo system bus for communication between Wilo products, e.g. **Multi-Flow Adaptation**; twin-head pump operation and Wilo-Smart Gateway
- > Automatic **emergency operation** with definable pump speed for exceptional circumstances, e.g. bus communication or sensor value malfunction
- > **Graphic colour display** (4.3 inches) with one-button manual operation
- > Use the Wilo-Assistant app to read and set operating data and –among other things– set up a commissioning protocol through the Bluetooth interface (no further accessories required)
- > Integrated **dual pump management** (twin-head pumps are prewired) when using 2 single pumps as twin-head pump unit (connection via Wilo Net)
- > Cable break detection when using an analogue signal (in connection with 2–10 V or 4–20 mA)
- > Outdoor installation with weather protection possible in accordance with the installation and operating instructions
- > Pre-set date and time
- > Thermal insulation shell for heating applications

### Scope of delivery

- > Pump
- > Optimised Wilo-Connector the same for all sizes
- > 2x threaded cable connection M16 x 1.5
- > 2x gaskets
- > Thermal insulation shell
- > Concise Installation and operating instructions

### Optional accessories:

- > ClimaForm cold insulation to avoid the formation of condensate
- > CIF module: Modbus TCP, Modbus RTU, BACnet IP, BACnet MS/TP, LON, PLR, CANopen
- > PT 1000 (B) pipe contact sensor (for domestic hot water)
- > PT 1000 (AA) sensor for installation in immersion well
- > Differential pressure sensor
- > Smart Gateway
- > Stratos MAXO temperature sensor (can be retrofitted for recording and displaying the fluid temperature and using the temperature-controlled control modes T-const., dT-const.)

### Operating data

Fluid media	Water
Fluid temperature $T$	-10 °C
Ambient temperature $T$	-10 °C
Maximum operating pressure $PN$	6 bar
Minimum suction head at 50 °C $m$	7 m
Minimum suction head at 95 °C $m$	15 m
Minimum suction head at 110 °C	23 m

### Motor data

Energy efficiency index (EEI)	0.17
Interference emission	EN 61800-3;2004+A1;2012 /residential area (C1)
Interference immunity	EN 61800-3;2004+A1;2012 /industrial environment (C2)
Mains connection	1~230 V, 50/60 Hz
Power consumption $P_{1\max}$	1290 W
Min. speed $n_{\min}$	500 1/min
Max. speed $n_{\max}$	3050 1/min
Protection class motor	IPX4D
Threaded cable connection	5 x M16x1.5

### Materials

Pump housing	Cast iron
Impeller	PPS-GF40
Shaft	1.4028, DLC-coated
Bearing	Carbon, antimony-impregnated

### Installation dimensions

Pipe connection on the suction side $DN_s$	DN 100
Pipe connection on the discharge side $DN_d$	DN 100
Port-to-port length $L_0$	360 mm

### Ordering information

Brand	Wilo
Product description	Stratos MAXO 100/0,5-12 PN6-R7
Net weight, approx. $m$	36 kg
Article number	2217971