

The compact, proven design has high efficiency and guaranteed operation for heating and air conditioning. The water within the installation contains air which can form corrosion and reduce the thermal transfer. A Flexvent is fitted at places where the air collects.

Advantages

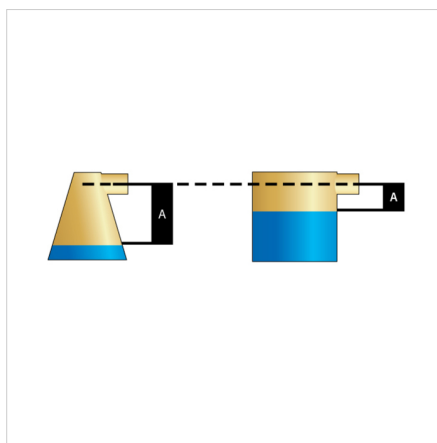
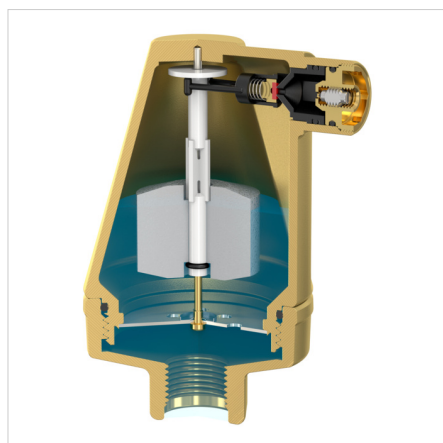
- The cap of the Flexvent Super is conical in shape. The advantage of this construction is that the clearance between the water level and venting valve is maximized.
- The air escape duct can be opened or closed with an adjusting screw.
- The venting valve forms an integral part of the cap, so that it is impossible to damage the float vent mechanism from outside.

Technical Specifications

- Minimum/Maximum working temperature: -10 °C / 120 °C.
- Minimum/Maximum working pressure: 0.2 / 10.0 bar.
- Suitable for addition of glycol-based anti-freeze up to 50%.



Description	Flexvent Super G $\frac{1}{2}$ "F	
Order Code	28520	
GTIN	08712874285200	
Model	<u>Flexvent Super</u>	
Dimensions	Ø [mm]	73
	H. [mm]	119
Connection	G $\frac{1}{2}$ " F	
Shut-off valve	no	



Classification General Data

Etim Group	Measuring and control devices
Etim Class	De-aerator (automatic)
Product Name	Flexvent Super G½"F
Brand	Flamco
Product Type	1/2
Artikelnummer	28520

Attributes

Material valve	Other
Material float	Other
Outer pipe diameter	21.3 Millimetre
Maximum pressure at 20 C	10 Bar
Max. operating pressure at 20 °C	10 Bar
Flange compression class	PN 10
Max. medium temperature (continuous)	120 Degrees celsius
Height	119 Millimetre
Working length connection 1	14.3 Millimetre
Lockable	No

Find more information online:

[Installation and operating instruction](#)
[Declaration of conformity PED 2014/68/EU](#)
[Flexvent Super ADSK](#)
[Flexvent Super DWG](#)
[Flexvent Super STEP](#)
[Export catalogue](#)
[Packaging data](#)

[Installation and operating instruction](#)
[Declaration of conformity PED 2014/68/EU](#)
[Flexvent Super ADSK](#)
[Flexvent Super DWG](#)
[Flexvent Super STEP](#)
[Export catalogue](#)
[Packaging data](#)
 Fort Blauwkapel 1
 1358 DB, Almere - nl

T +31 (0)36 52 62 300
 E info@aalberts-hfc.com
 I flamcogroup.com