
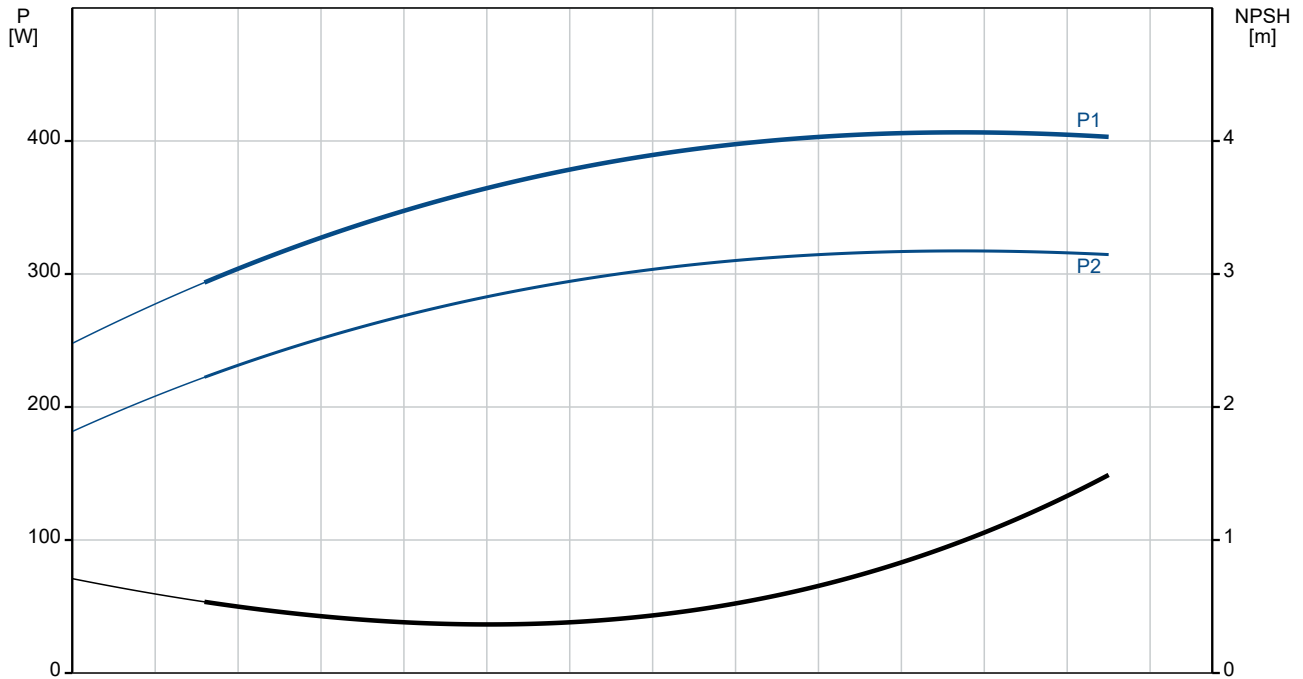
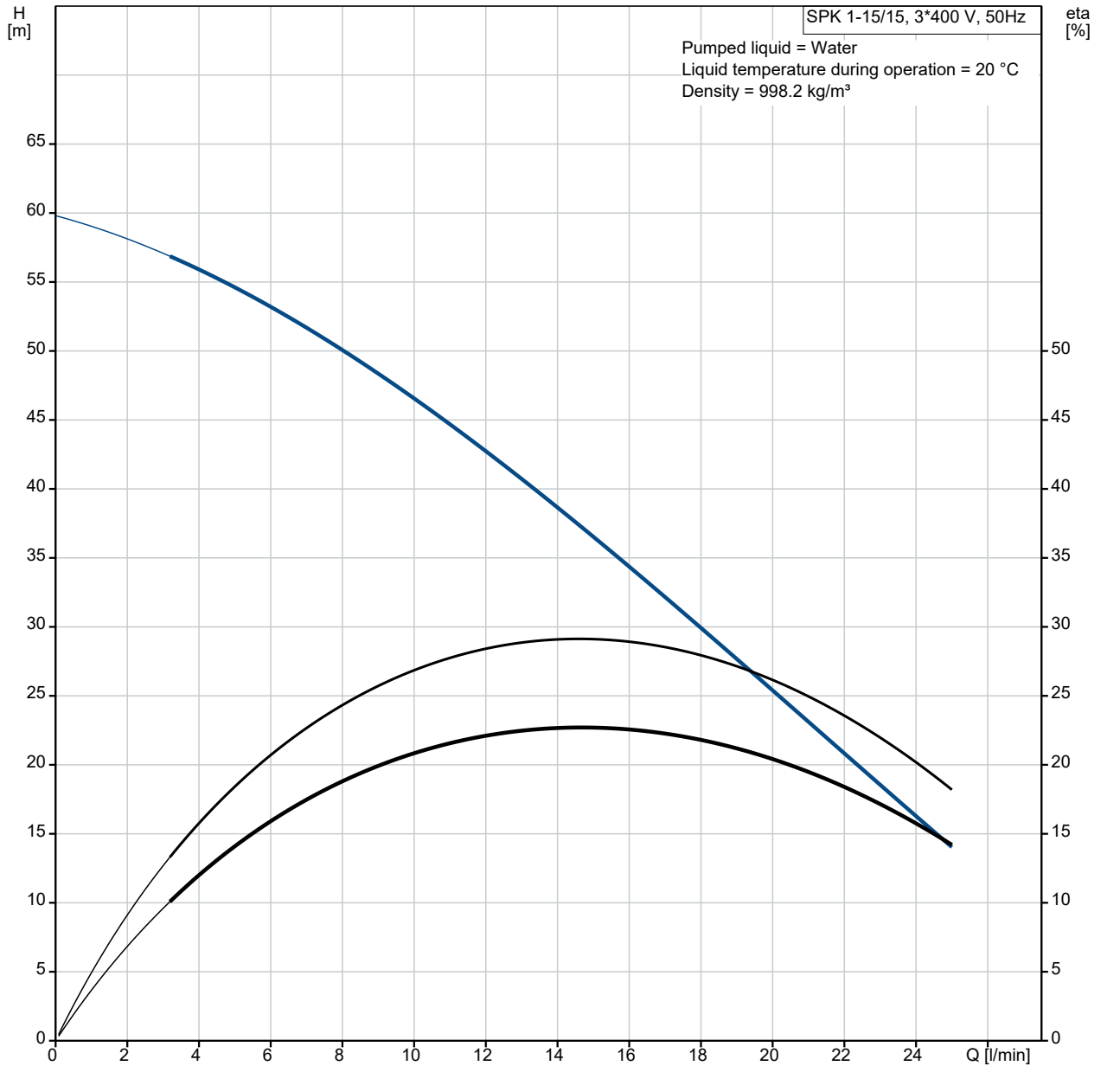


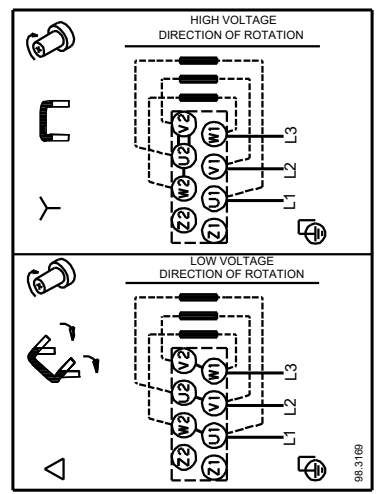
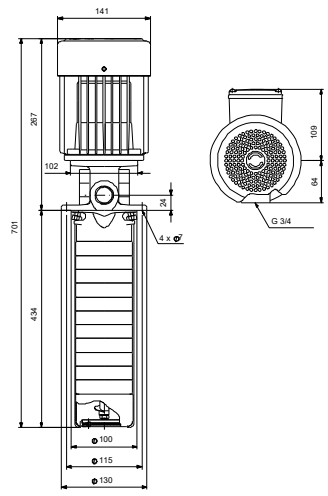
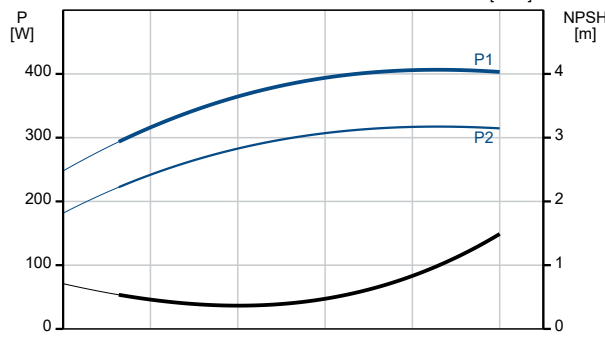
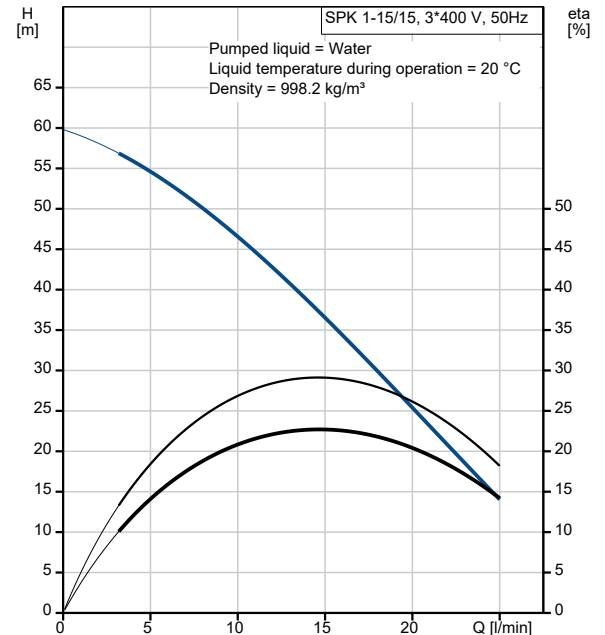
Qty.	Description
1	<p data-bbox="199 159 497 188">SPK 1-15/15 A-W-A-AUUV</p>  <p data-bbox="592 506 1062 528">Note! Product picture may differ from actual product</p> <p data-bbox="199 539 707 651">Product No.: On request Multistage, immersible, self-priming, centrifugal pump for vertical and horizontal installation in tanks etc.</p> <p data-bbox="199 685 667 714">The pump has the following characteristics:</p> <ul data-bbox="240 719 1390 831" style="list-style-type: none"> - Installation length according to DIN 5440. - Impellers, intermediate chambers and spline shaft are made of stainless steel and motor stool of GG 20. - Mechanical shaft seal according to EN 12756. - Power transmission via cast iron split coupling. <p data-bbox="199 864 564 893">The motor is a 3-phase AC motor.</p> <p data-bbox="199 898 655 927">Immersion depth: 434 mm</p> <p data-bbox="199 954 276 983">Liquid:</p> <p data-bbox="199 987 632 1016">Pumped liquid: Water</p> <p data-bbox="199 1021 687 1050">Liquid temperature range: -10 .. 90 °C</p> <p data-bbox="199 1055 628 1084">Selected liquid temperature: 20 °C</p> <p data-bbox="199 1088 695 1117">Density: 998.2 kg/m³</p> <p data-bbox="199 1144 316 1173">Technical:</p> <p data-bbox="199 1178 820 1207">Pump speed on which pump data are based: 2873 rpm</p> <p data-bbox="199 1211 671 1240">Rated flow: 16.7 l/min</p> <p data-bbox="199 1245 639 1274">Rated head: 35.7 m</p> <p data-bbox="199 1279 635 1308">Primary shaft seal: AUUV</p> <p data-bbox="199 1312 759 1341">Curve tolerance: ISO9906:2012 3B</p> <p data-bbox="199 1346 740 1375">Drain holes: Open drain hole</p> <p data-bbox="199 1402 309 1431">Materials:</p> <p data-bbox="199 1435 703 1498">Pump head: Cast iron EN-GJL-200 ASTM 25B</p> <p data-bbox="199 1503 764 1588">Impeller: Stainless steel DIN W.-Nr. 1.4301 AISI 304</p> <p data-bbox="199 1626 325 1655">Installation:</p> <p data-bbox="199 1659 628 1688">t max amb: 60 °C</p> <p data-bbox="199 1693 628 1722">Pipe connection: G 3/4</p> <p data-bbox="199 1727 628 1756">Flange size for motor: FT85</p> <p data-bbox="199 1783 363 1812">Electrical data:</p> <p data-bbox="199 1816 612 1845">Motor type: 71A</p> <p data-bbox="199 1850 604 1879">IE Efficiency class: IE3</p> <p data-bbox="199 1883 655 1912">Rated power - P2: 0.37 kW</p> <p data-bbox="199 1917 655 1946">Power (P2) required by pump: 0.37 kW</p> <p data-bbox="199 1951 628 1980">Mains frequency: 50 Hz</p> <p data-bbox="199 1984 847 2013">Rated voltage: 3 x 220-240D/380-415Y V</p> <p data-bbox="199 2018 692 2047">Rated current: 1.74/1.00 A</p> <p data-bbox="199 2051 683 2080">Starting current: 490-530 %</p> <p data-bbox="199 2085 671 2114">Cos phi - power factor: 0.80-0.70</p> <p data-bbox="199 2119 732 2148">Rated speed: 2850-2880 rpm</p>

Qty.	Description
1	<p>Efficiency: IE3 73,8%</p> <p>Motor efficiency at full load: 73.8 %</p> <p>Motor efficiency at 3/4 load: 79.0 %</p> <p>Motor efficiency at 1/2 load: 75.5 %</p> <p>Number of poles: 2</p> <p>Enclosure class (IEC 34-5): 55 Dust/Jetting</p> <p>Insulation class (IEC 85): F</p> <p>Motor No: 85805102</p> <p>Others:</p> <p>Minimum efficiency index, MEI ≥: N/A</p> <p>Net weight: 14 kg</p> <p>Gross weight: 15.3 kg</p> <p>Country of origin: HU</p> <p>Custom tariff no.: 84137075</p>

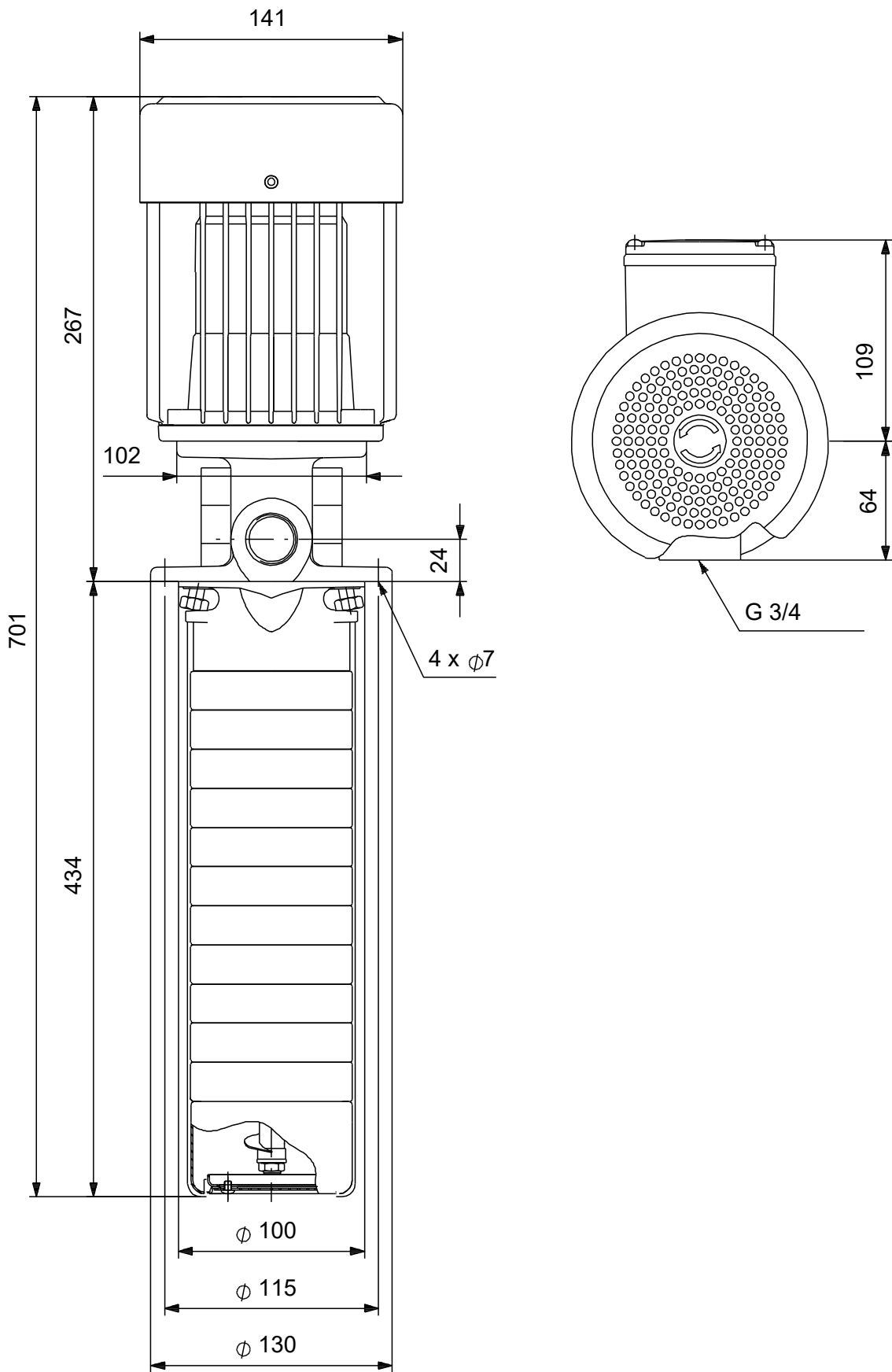
On request SPK 1-15/15 A-W-A-AUUV 50 Hz



Description	Value
General information:	
Product name:	SPK 1-15/15 A-W-A-AUUV
Product No:	On request
EAN number:	On request
Technical:	
Pump speed on which pump data are based:	2873 rpm
Rated flow:	16.7 l/min
Rated head:	35.7 m
Stages:	15
Impellers:	15
Primary shaft seal:	AUUV
Curve tolerance:	ISO9906:2012 3B
Pump version:	A
Model:	E
Drain holes:	Open drain hole
Materials:	
Pump head:	Cast iron
Pump head:	EN-GJL-200
Pump head:	ASTM 25B
Impeller:	Stainless steel
Impeller:	DIN W.-Nr. 1.4301
Impeller:	AISI 304
Material code:	A
Installation:	
t max amb:	60 °C
Pipe connection:	G 3/4
Flange size for motor:	FT85
Connect code:	W
Liquid:	
Pumped liquid:	Water
Liquid temperature range:	-10 .. 90 °C
Selected liquid temperature:	20 °C
Density:	998.2 kg/m ³
Electrical data:	
Motor type:	71A
IE Efficiency class:	IE3
Rated power - P2:	0.37 kW
Power (P2) required by pump:	0.37 kW
Mains frequency:	50 Hz
Rated voltage:	3 x 220-240D/380-415Y V
Rated current:	1.74/1.00 A
Starting current:	490-530 %
Cos phi - power factor:	0.80-0.70
Rated speed:	2850-2880 rpm
Efficiency:	IE3 73,8%
Motor efficiency at full load:	73.8 %
Motor efficiency at 3/4 load:	79.0 %
Motor efficiency at 1/2 load:	75.5 %
Number of poles:	2
Enclosure class (IEC 34-5):	55 Dust/Jetting
Insulation class (IEC 85):	F
Built-in motor protection:	NONE
Motor No:	85805102
Others:	
Minimum efficiency index, MEI ≥:	N/A
Net weight:	14 kg
Gross weight:	15.3 kg
Country of origin:	HU
Custom tariff no.:	84137075

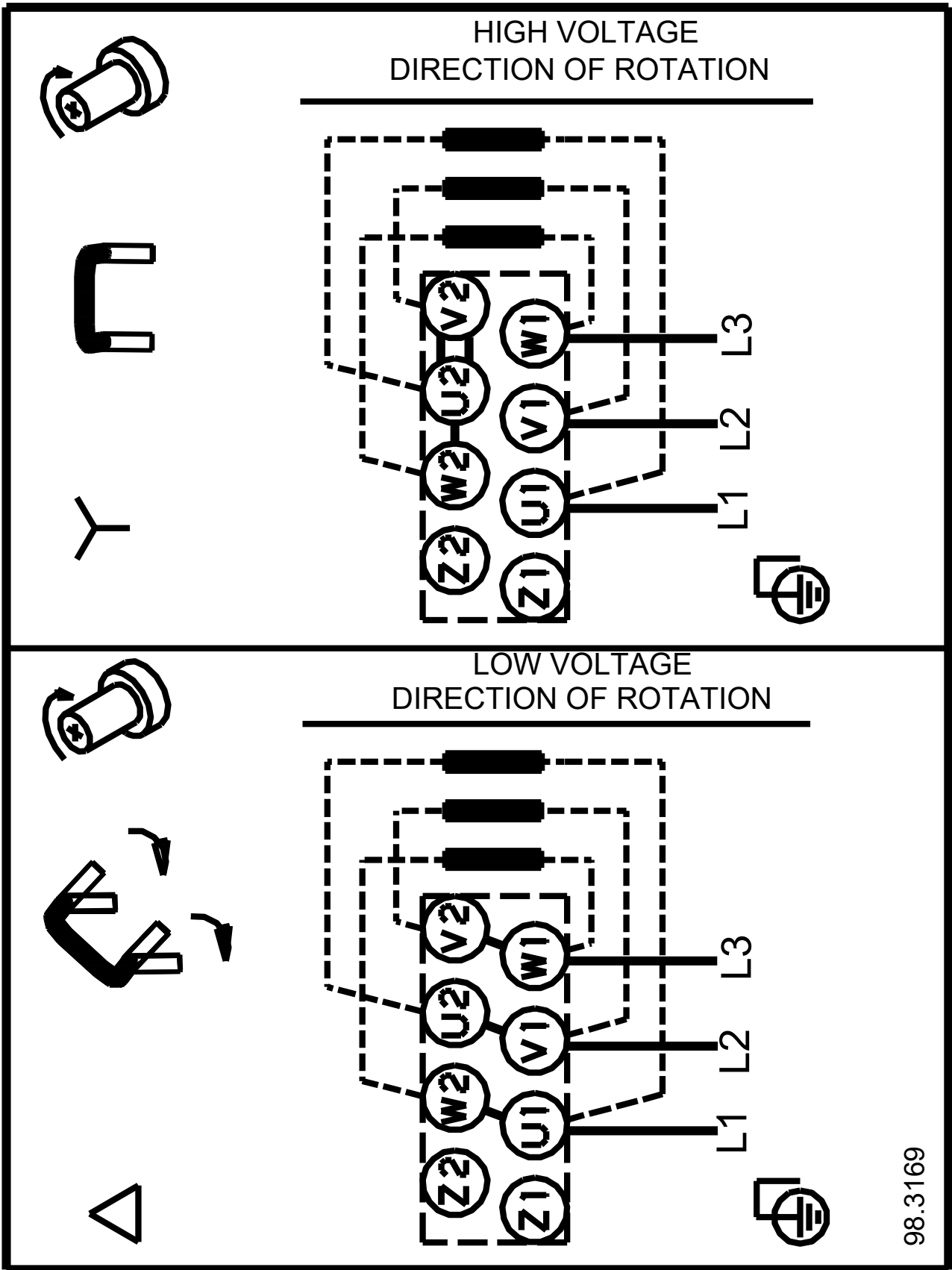


On request SPK 1-15/15 A-W-A-AUUV 50 Hz



Note! All units are in [mm] unless others are stated.
Disclaimer: This simplified dimensional drawing does not show all details.

On request SPK 1-15/15 A-W-A-AUUV 50 Hz



98.3169

Note! All units are in [mm] unless others are stated.

