
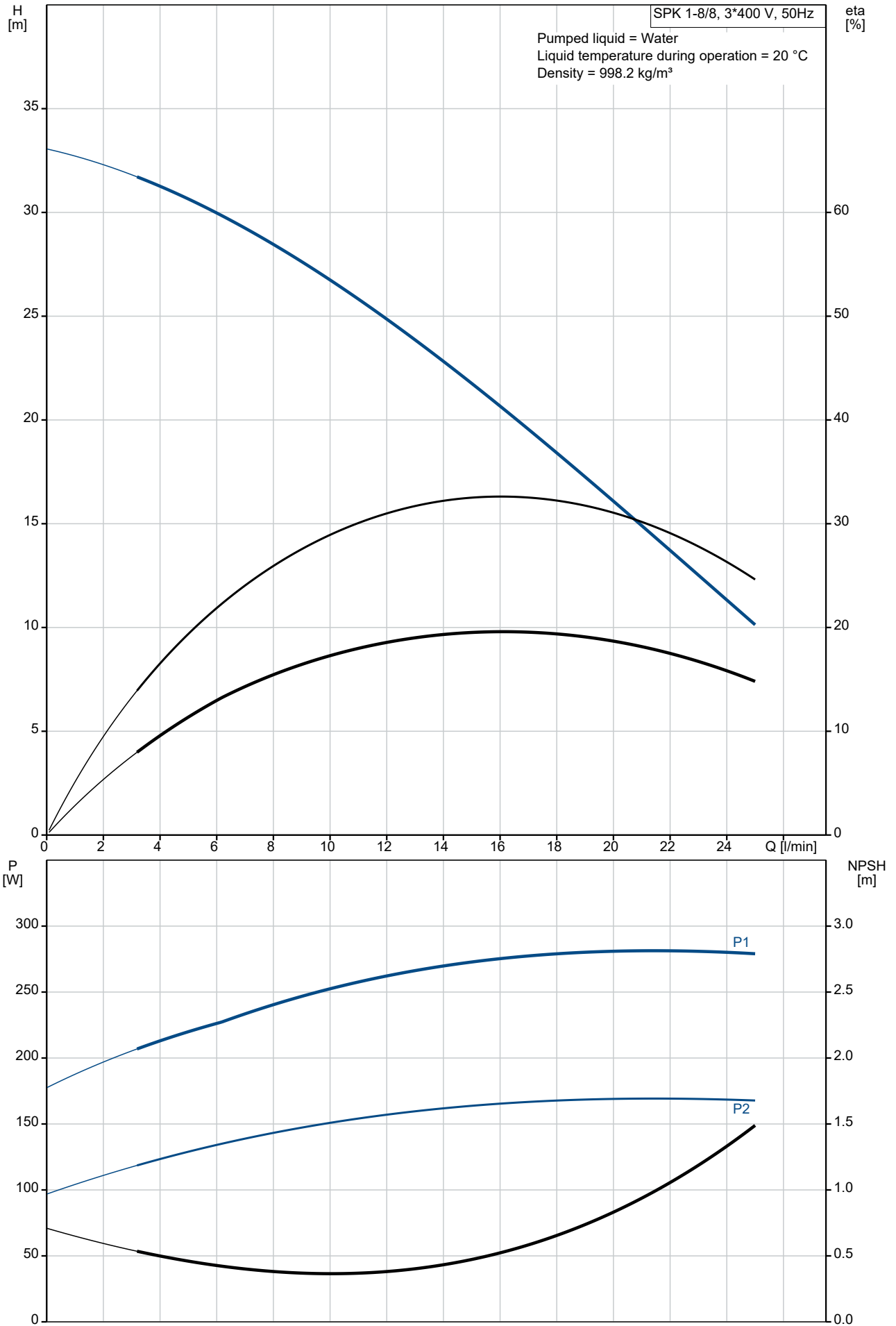


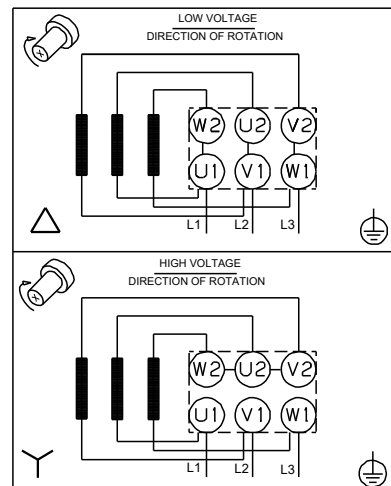
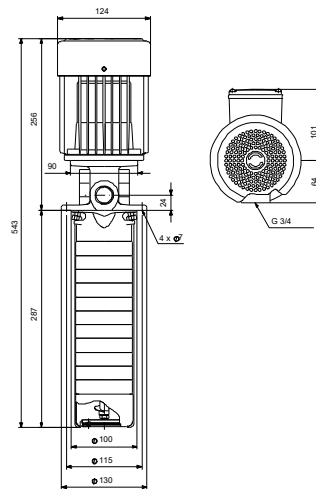
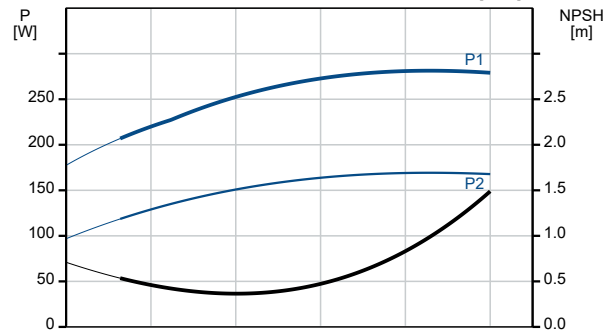
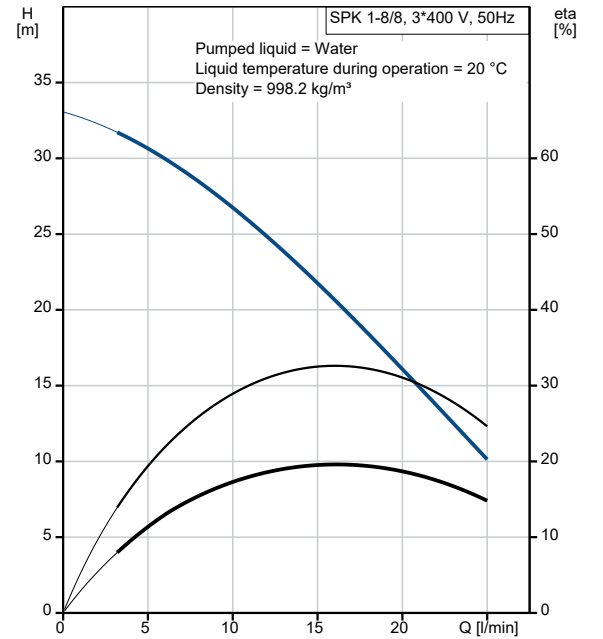
Qty.	Description
1	<p data-bbox="199 159 472 188">SPK 1-8/8 A-W-A-AUUV</p>  <p data-bbox="592 506 1062 530">Note! Product picture may differ from actual product</p> <p data-bbox="199 539 707 651">Product No.: On request Multistage, immersible, self-priming, centrifugal pump for vertical and horizontal installation in tanks etc.</p> <p data-bbox="199 687 667 714">The pump has the following characteristics:</p> <ul data-bbox="240 719 1390 835" style="list-style-type: none"> - Installation length according to DIN 5440. - Impellers, intermediate chambers and spline shaft are made of stainless steel and motor stool of GG 20. - Mechanical shaft seal according to EN 12756. - Power transmission via cast iron split coupling. <p data-bbox="199 866 564 893">The motor is a 3-phase AC motor.</p> <p data-bbox="199 898 655 925">Immersion depth: 287 mm</p> <p data-bbox="199 956 276 983">Liquid:</p> <p data-bbox="199 987 632 1014">Pumped liquid: Water</p> <p data-bbox="199 1019 691 1046">Liquid temperature range: -10 .. 90 °C</p> <p data-bbox="199 1050 628 1077">Selected liquid temperature: 20 °C</p> <p data-bbox="199 1081 695 1108">Density: 998.2 kg/m³</p> <p data-bbox="199 1140 316 1167">Technical:</p> <p data-bbox="199 1171 820 1198">Pump speed on which pump data are based: 2825 rpm</p> <p data-bbox="199 1202 671 1229">Rated flow: 16.7 l/min</p> <p data-bbox="199 1234 639 1261">Rated head: 20.1 m</p> <p data-bbox="199 1265 635 1292">Primary shaft seal: AUUV</p> <p data-bbox="199 1296 759 1323">Curve tolerance: ISO9906:2012 3B</p> <p data-bbox="199 1328 738 1355">Drain holes: Open drain hole</p> <p data-bbox="199 1386 309 1413">Materials:</p> <p data-bbox="199 1417 703 1489">Pump head: Cast iron EN-GJL-200 ASTM 25B</p> <p data-bbox="199 1494 764 1588">Impeller: Stainless steel DIN W.-Nr. 1.4301 AISI 304</p> <p data-bbox="199 1619 325 1646">Installation:</p> <p data-bbox="199 1650 628 1677">t max amb: 40 °C</p> <p data-bbox="199 1682 628 1709">Pipe connection: G 3/4</p> <p data-bbox="199 1713 628 1740">Flange size for motor: FT75</p> <p data-bbox="199 1771 363 1798">Electrical data:</p> <p data-bbox="199 1803 676 1830">Motor type: SIEMENS</p> <p data-bbox="199 1834 604 1861">IE Efficiency class: IE2</p> <p data-bbox="199 1865 655 1892">Rated power - P2: 0.18 kW</p> <p data-bbox="199 1897 655 1924">Power (P2) required by pump: 0.18 kW</p> <p data-bbox="199 1928 632 1955">Mains frequency: 50 Hz</p> <p data-bbox="199 1960 813 1986">Rated voltage: 3 x 220-240/380-415 V</p> <p data-bbox="199 1991 802 2018">Rated current: 0,94-0,96/0,55-0,56 A</p> <p data-bbox="199 2022 684 2049">Starting current: 450-450 %</p> <p data-bbox="199 2054 616 2080">Cos phi - power factor: 0.78</p> <p data-bbox="199 2085 671 2112">Rated speed: 2850 rpm</p>

Qty.	Description
1	<p>Efficiency: IE2 60,4%</p> <p>Motor efficiency at full load: 60.4-60.4 %</p> <p>Motor efficiency at 3/4 load: 59.4-59.4 %</p> <p>Motor efficiency at 1/2 load: 53.7-53.7 %</p> <p>Number of poles: 2</p> <p>Enclosure class (IEC 34-5): IP55</p> <p>Insulation class (IEC 85): F</p> <p>Motor No: 99995094</p> <p>Others:</p> <p>Minimum efficiency index, MEI ≥: N/A</p> <p>Net weight: 10.1 kg</p> <p>Gross weight: 11.4 kg</p> <p>Country of origin: HU</p> <p>Custom tariff no.: 84137075</p>

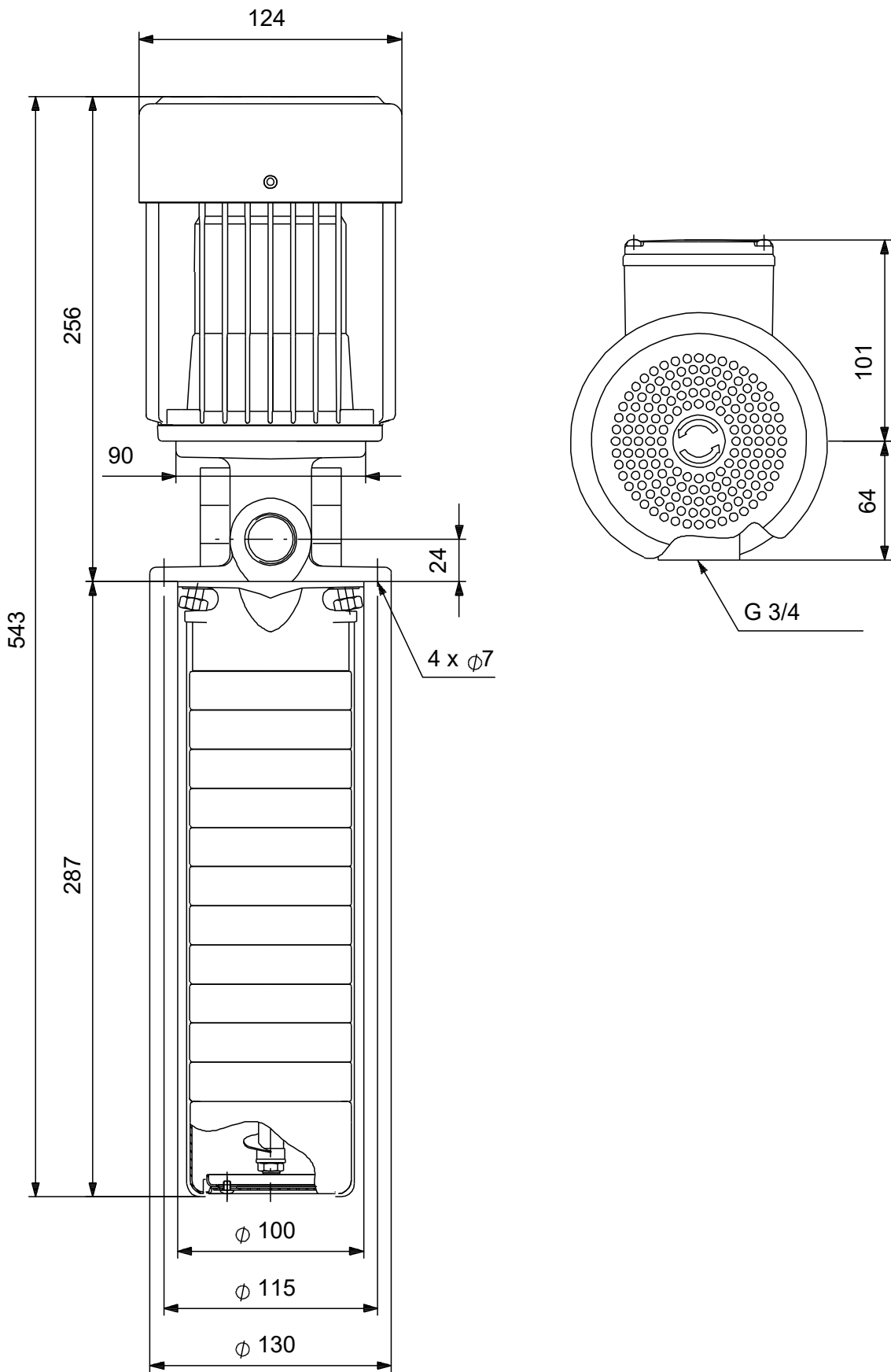
On request SPK 1-8/8 A-W-A-AUUV 50 Hz



Description	Value
General information:	
Product name:	SPK 1-8/8 A-W-A-AUUV
Product No:	On request
EAN number:	On request
Technical:	
Pump speed on which pump data are based:	2825 rpm
Rated flow:	16.7 l/min
Rated head:	20.1 m
Stages:	8
Impellers:	8
Primary shaft seal:	AUUV
Curve tolerance:	ISO9906:2012 3B
Pump version:	A
Model:	E
Drain holes:	Open drain hole
Materials:	
Pump head:	Cast iron
Pump head:	EN-GJL-200
Pump head:	ASTM 25B
Impeller:	Stainless steel
Impeller:	DIN W.-Nr. 1.4301
Impeller:	AISI 304
Material code:	A
Installation:	
t max amb:	40 °C
Pipe connection:	G 3/4
Flange size for motor:	FT75
Connect code:	W
Liquid:	
Pumped liquid:	Water
Liquid temperature range:	-10 .. 90 °C
Selected liquid temperature:	20 °C
Density:	998.2 kg/m ³
Electrical data:	
Motor type:	SIEMENS
IE Efficiency class:	IE2
Rated power - P2:	0.18 kW
Power (P2) required by pump:	0.18 kW
Mains frequency:	50 Hz
Rated voltage:	3 x 220-240/380-415 V
Rated current:	0,94-0,96/0,55-0,56 A
Starting current:	450-450 %
Cos phi - power factor:	0.78
Rated speed:	2850 rpm
Efficiency:	IE2 60,4%
Motor efficiency at full load:	60.4-60.4 %
Motor efficiency at 3/4 load:	59.4-59.4 %
Motor efficiency at 1/2 load:	53.7-53.7 %
Number of poles:	2
Enclosure class (IEC 34-5):	IP55
Insulation class (IEC 85):	F
Built-in motor protection:	NONE
Motor No:	99995094
Others:	
Minimum efficiency index, MEI ≥:	N/A
Net weight:	10.1 kg
Gross weight:	11.4 kg
Country of origin:	HU
Custom tariff no.:	84137075

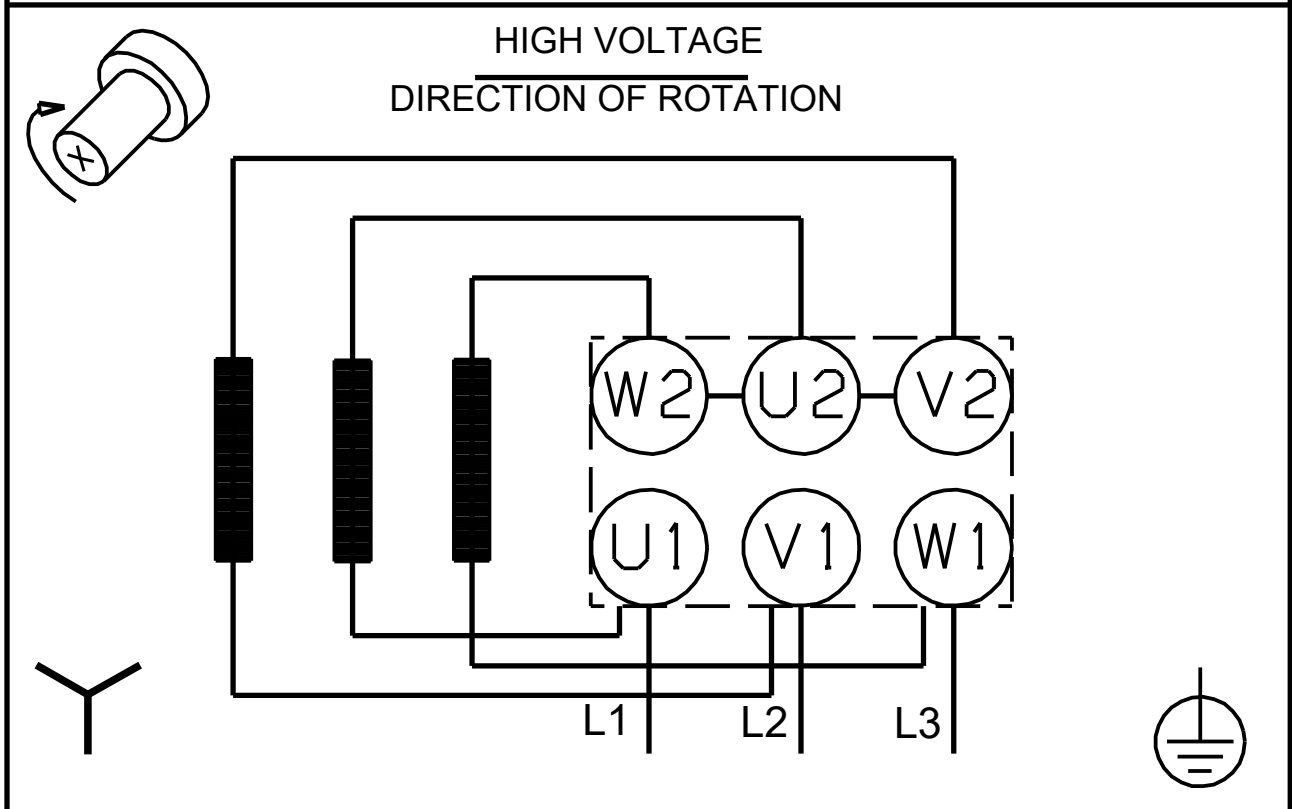
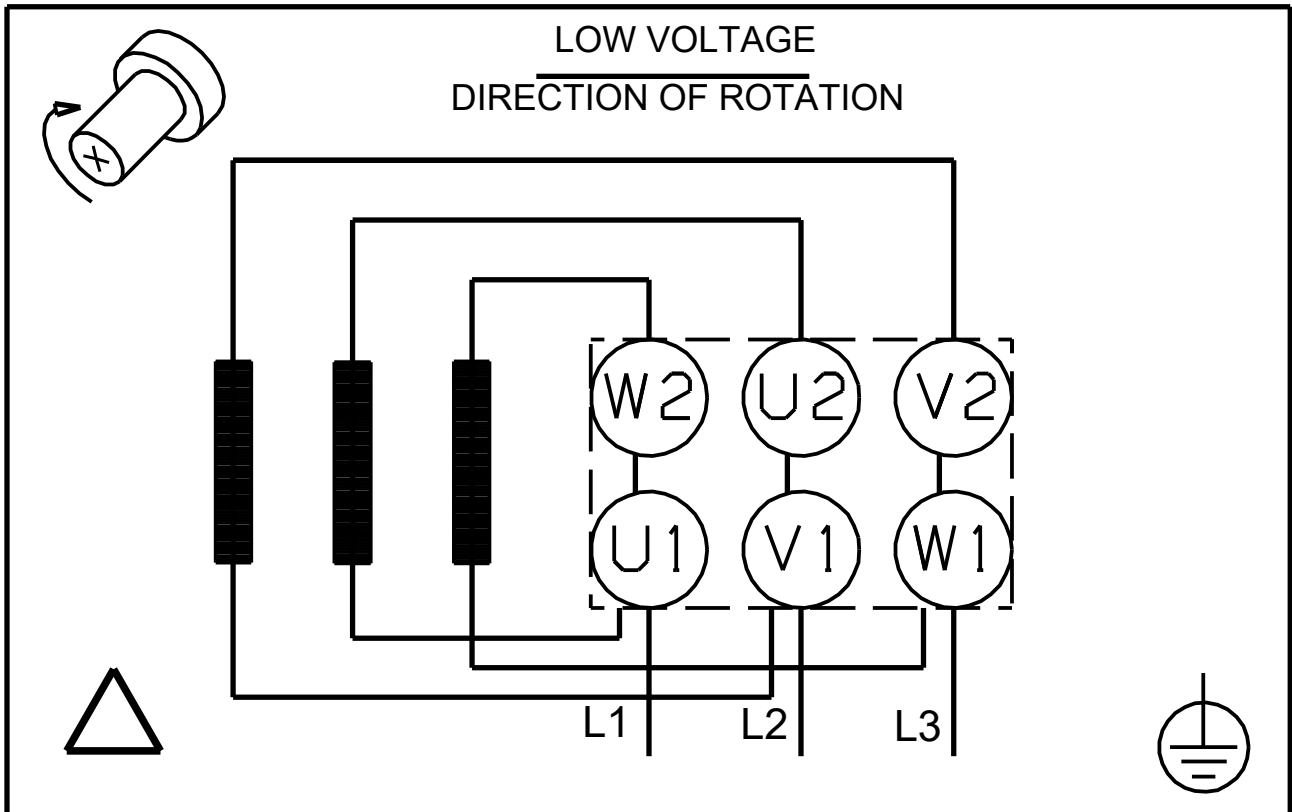


On request SPK 1-8/8 A-W-A-AUUV 50 Hz



Note! All units are in [mm] unless others are stated.
Disclaimer: This simplified dimensional drawing does not show all details.

On request SPK 1-8/8 A-W-A-AUUV 50 Hz



Note! All units are in [mm] unless others are stated.

